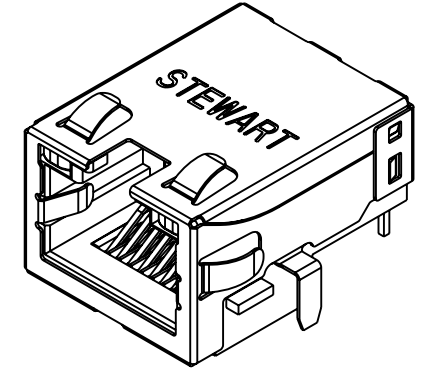
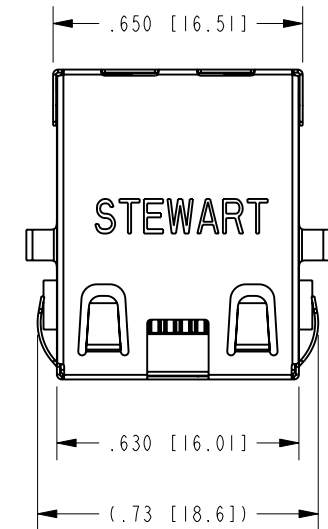
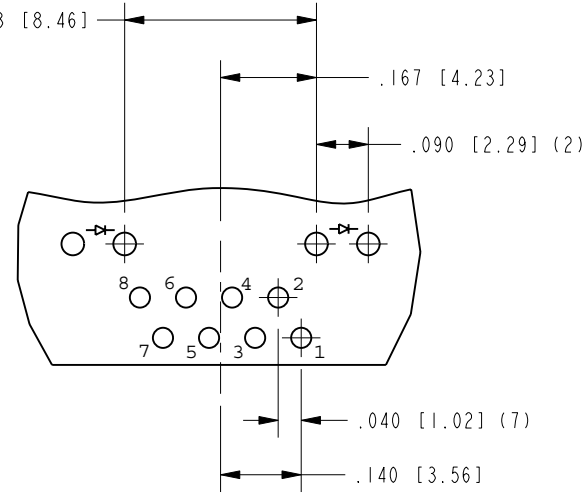
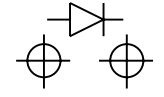


DATE	REV.	ECN	APP'D BY
2-27-20	X0	-	ADB
3-31-20	A0	-	JE
5-15-20	A1	11552	JE



ISOMETRIC VIEW

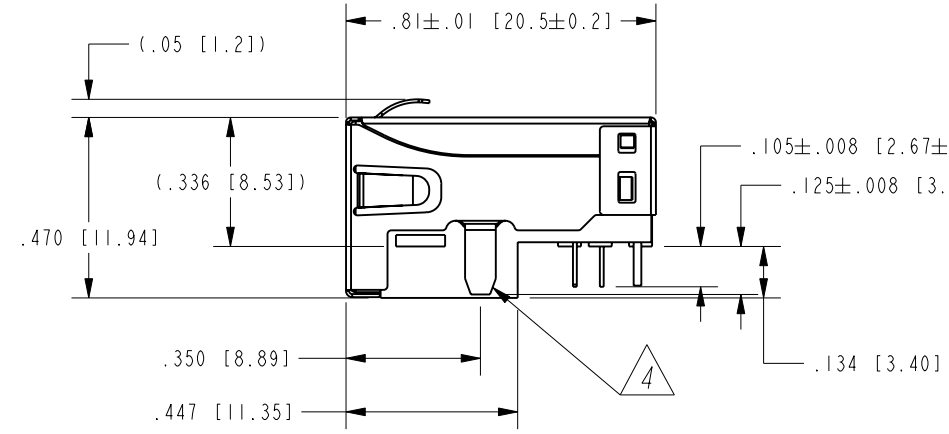
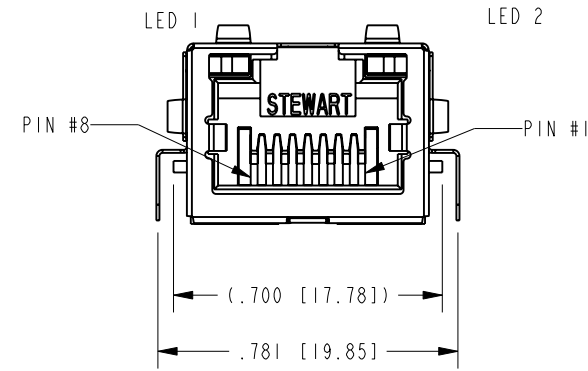
LED POLARITY (ENLARGED VIEW)



DETAIL A SCALE 3.000

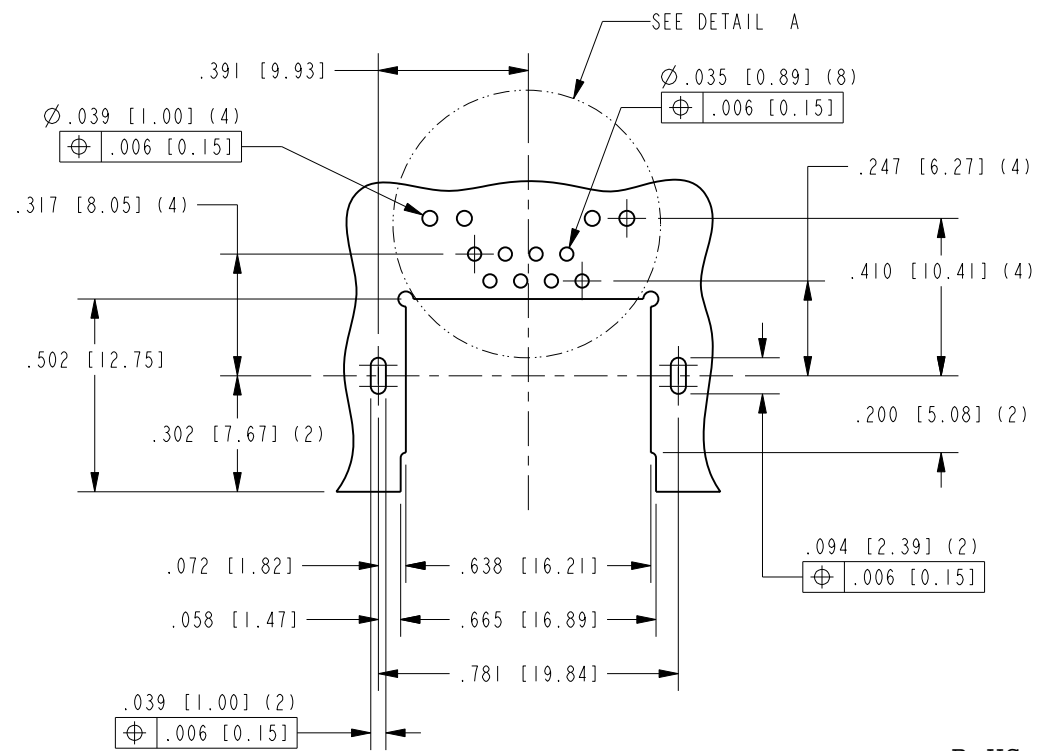
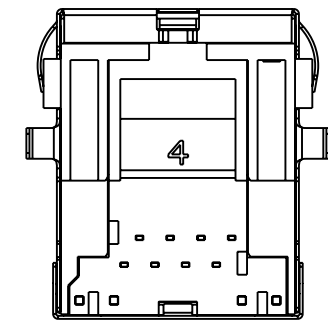
AVAILABLE LED SPECIFICATIONS			
STANDARD LED	WAVELENGTH	FORWARD V (MAX)	*(TYP)
YELLOW	590 nm	2.5 V	2.1 V
GREEN	565 nm	2.5 V	2.2 V

*WITH A FORWARD CURRENT OF 20 mA (TYP)



NOTES:

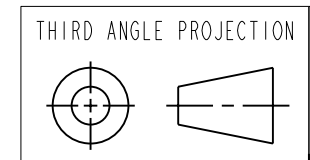
- CONNECTOR MATERIALS:
HOUSING: HALOGEN FREE THERMOPLASTIC UL94 V-0
CONTACTS: COPPER ALLOY
SHIELD: STAINLESS STEEL
CONTACT PLATING: SELECTIVE GOLD IN CONTACT AREA (SEE CHART FOR PART NUMBER)
MATTE TIN PLATED SOLDER TAILS
- FOR PRODUCT SPECIFICATIONS SEE PR022-01.
- DIMENSIONS AND TOLERANCES COMPLY WITH TIA-1096 STANDARD.
- SHIELD LEADS (2) ARE TIN DIPPED TO .010 MIN ABOVE TOP SURFACE OF PRINTED CIRCUIT BOARD SEATING PLANE.
- DESIGNED FOR CATEGORY 5/5E APPLICATIONS.



P.C.B. RECOMMENDED HOLE LAYOUT SEEN FROM COMPONENT SIDE ALL CENTERLINE DIMENSIONS ARE BASIC



50 MICRO-INCHES [1.27um]	YELLOW	GREEN	SS-74800-144
CONTACT PLATING IN MATING AREA	LED 1	LED 2	PART NUMBER



11118 Susquehanna Trail South
Glen Rock, PA 17327-9199
(717) 235-7512
<http://www.stewartconnector.com>

DO NOT SCALE DRAWING DRAWING IS SUBJECT TO CHANGE WITHOUT NOTICE	TITLE: RJ45 SINGLE PORT MIDPLANE JACK WITH YELLOW/GREEN LEDS, HALOGEN FREE MAERIAL		DRN BY: JE	DATE: 01-20-20
DIMENSIONS: INCHES [METRIC]	THIS DRAWING AND THE SUBJECT MATTER SHOWN THEREON ARE CONFIDENTIAL AND THE PROPRIETARY PROPERTY OF STEWART CONNECTOR AND SHALL NOT BE REPRODUCED, COPIED, OR USED IN ANY MANNER WITHOUT PRIOR WRITTEN CONSENT OF STEWART CONNECTOR. ONE OR MORE U.S. PATENTS MAY APPLY TO THIS PRODUCT. FOR DETAILS, PLEASE VISIT: HTTP://BELFUSE.COM/STEWART/STEWART_PATENTS/		APPD BY: ADB	DATE: 02-27-20
UNLESS OTHERWISE SPECIFIED TOLERANCES ARE ±.005 [0.13] ANGLES ARE ±1°	SHEET NO. 1 OF 1		DWG. NO. CT740271	REV. A1