

Voltage selector switch, 6 stages, serie-parallel, PCB mounting



### Description

- Voltage Selector , 6 stages
- Series-parallel connections
- PCB terminals

### Standards

- IEC 61058-2-5
- UL 508
- CSA C22.2 no. 55

### References

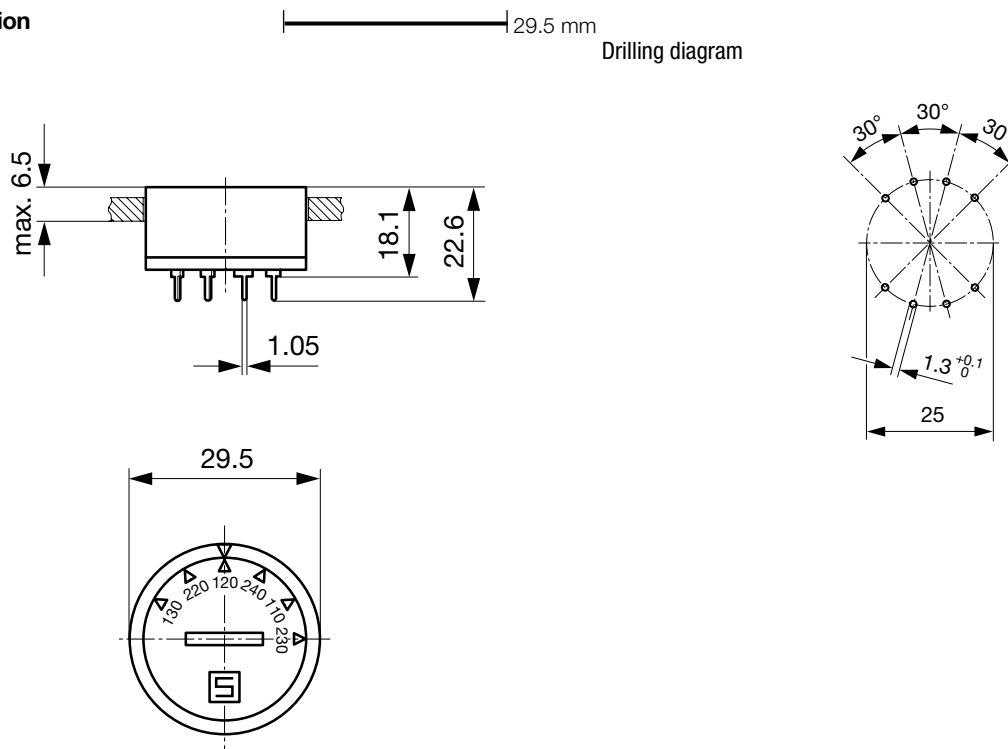
Alternative: version for panel mounting [SWZ1 \(Frontpl\)](#)

### Technical Data

Ratings	IEC: 6.3 A / 250 VAC; 50 Hz	Solderability	235 °C / 2 sec acc. to IEC 60068-2-20, Test Ta, method 1
	UL: 10 A / 250 VAC; 60 Hz		
	CSA: 6.3 A / 250 VAC; 60 Hz		
Mounting	PCB Mounting	Resistance to Soldering Heat	260 °C / 5 sec acc. to IEC 60068-2-20, Test Tb, method 1A
Terminal	Solder, THT	Insulation Resistance	> 10'000MΩ (500VDC; 1min)
Number of Stages	6	Contact Resistance	< 10 mΩ at 20 mV
Lifetime	300 operating cycles (without load)	Dielectric Strength	> 2kVAC between L-N > 4kVAC between L/N-PE (1min; 50Hz)
Degree of Protection	from front side IP 40	Clearance and Creepage Distance	> 3mm > 8mm between L/N-PE
Protection Class	Suitable for appliances with protection class II acc. to IEC 61140		Resistance to Vibration
Allowable Operation Temperature	-40 °C to 85 °C		
Climatic Category	25/85/21 acc. to IEC 60068-1		
Material: Socket	Thermoplastic, black, UL 94V-0		
Weight	11.8 g		

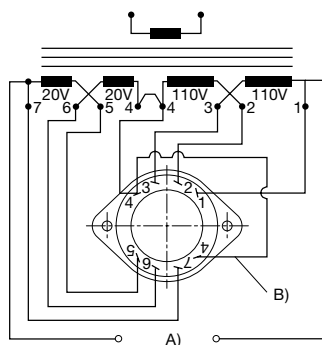
Detailed information on product approvals, code requirements, usage instructions and detailed test conditions can be looked up in [General Product Information](#)

## Dimension



## Diagrams

### Reverse view



- A) Power mains
- B) External connection

## All Variants

Stage 1	Stage 2	Letterings				Stage 6	Order Number
		Stage 3	Stage 4	Stage 5	Stage 6		
150	220	130	260	110	240	0033.3801	
130	220	120	240	110	230	0033.3802	
140	200	120	240	100	220	0033.3805	
100	240	-	220	120	-	0033.3812	
						0033.3814	
	220			110	240	0033.3819	
145	210	125	250	105	230	0033.3833	
120	220	115	230	110	225	0033.3846	

Availability for all products can be searched real-time: <http://www.schurter.com/en/Stock-Check/Stock-Check-SCHURTER>

Packaging Unit 50 Pcs