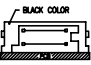



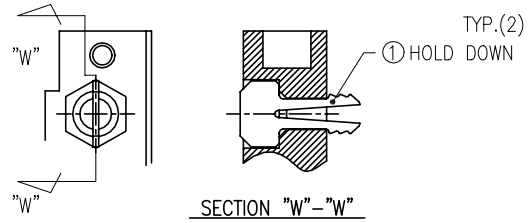
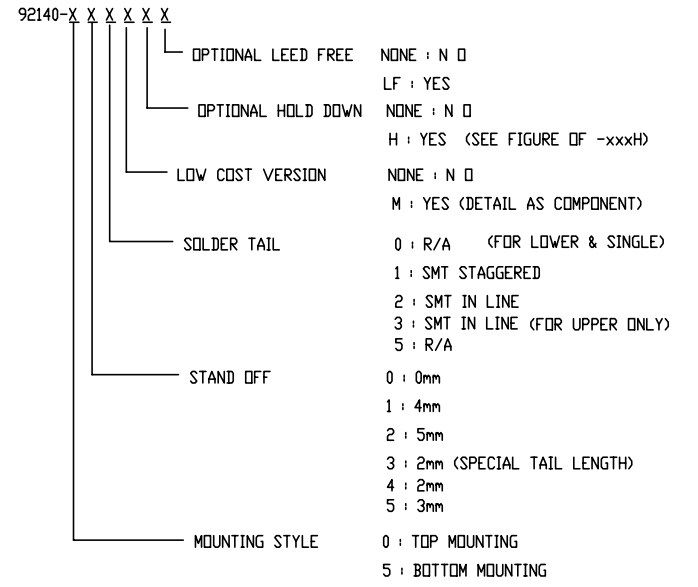
FCI CONFIDENTIAL

FCI connect.com

This document is the property of and embodies CONFIDENTIAL and PROPRIETARY information of FCI. No part of this information shall be disclosed in any way or to any person without the written consent of FCI. Copyright FCI.


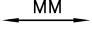

PRODUCT NO.
92140

PRODUCT NO.	STAND OFF	SOLDER TAIL	DIM "P"	DIM "Q"	FOR LOWER DECK OR UPPER DECK	HOLD DOWN	LOCATOR FOR SOLDER TAIL ALIGNMENT	SHEET NO.	MOUNTING STYLE TO PCB
92140-XXX	(mm)	(mm)	(mm)	(mm)					
000	0	R/A	2.8	---	LOWER	NONE	NONE	ND2	TOP MOUNT 92140-0XXX 
000M	0	R/A	2.8	---	LOWER	NONE	NONE		
000LF	0	R/A	2.8	---	LOWER	NONE	NONE		
000MLF	0	R/A	2.8	---	LOWER	NONE	NONE		
000H	0	R/A	2.8	---	LOWER	YES	NONE		
000HLF	0	R/A	2.8	---	LOWER	YES	NONE		
001	0	SMT STG.	---	---	LOWER	NONE	NONE		
001LF	0	SMT STG.	---	---	LOWER	NONE	NONE		
001H	0	SMT STG.	---	---	LOWER	YES	NONE		
001HLF	0	SMT STG.	---	---	LOWER	YES	NONE		
002	0	SMT IL.	---	---	LOWER	NONE	NONE		
002LF	0	SMT IL.	---	---	LOWER	NONE	NONE		
002H	0	SMT IL.	---	---	LOWER	YES	NONE		
002HLF	0	SMT IL.	---	---	LOWER	YES	NONE		
010	4	R/A	2.8	---	LOWER	NONE	YES	ND3	
010LF	4	R/A	2.8	---	LOWER	NONE	YES		
010H	4	R/A	2.8	---	LOWER	YES	YES		
010HLF	4	R/A	2.8	---	LOWER	YES	YES		
020	5	R/A	2.8	---	LOWER	NONE	YES		
020LF	5	R/A	2.8	---	LOWER	NONE	YES		
020MLF	5	R/A	2.8	---	LOWER	NONE	YES		
021MLF	5	R/A	2.8	---	LOWER	NONE	YES		
020H	5	R/A	2.8	---	LOWER	YES	YES		
020HLF	5	R/A	2.8	---	LOWER	YES	YES		
040	2	R/A	2.5	---	LOWER	NONE	NONE	ND4	
040LF	2	R/A	2.5	---	LOWER	NONE	NONE		
040HLF	2	R/A	2.5	---	LOWER	YES	NONE		
050	3	R/A	2.8	---	LOWER	NONE	YES		
050LF	3	R/A	2.8	---	LOWER	NONE	YES		
050H	3	R/A	2.8	---	LOWER	YES	YES		
050HLF	3	R/A	2.8	---	LOWER	YES	YES		
005	FDR 0	R/A	2.8	8.6	UPPER	NONE	YES		
005LF	FDR 0	R/A	2.8	8.6	UPPER	NONE	YES		
045	FDR 2	R/A	2.5	10.3	UPPER	NONE	YES		
045LF	FDR 2	R/A	2.5	10.3	UPPER	NONE	YES		
500	0	R/A	2.8	---	LOWER	NONE	NONE	ND5	BOTTOM MOUNT 92140-5XXX 
500LF	0	R/A	2.8	---	LOWER	NONE	NONE		
500H	0	R/A	2.8	---	LOWER	YES	NONE		
500HLF	0	R/A	2.8	---	LOWER	YES	NONE		
501	0	SMT STG.	---	---	LOWER	NONE	NONE		
501LF	0	SMT STG.	---	---	LOWER	NONE	NONE		
501H	0	SMT STG.	---	---	LOWER	YES	NONE		
501HLF	0	SMT STG.	---	---	LOWER	YES	NONE		
502	0	SMT IL.	---	---	LOWER	NONE	NONE		
502LF	0	SMT IL.	---	---	LOWER	NONE	NONE		
502H	0	SMT IL.	---	---	LOWER	YES	NONE		
502HLF	0	SMT IL.	---	---	LOWER	YES	NONE		
503	0	SMT IL.	---	---	LOWER	NONE	NONE	ND6	
503LF	0	SMT IL.	---	---	LOWER	NONE	NONE		
510	4	R/A	2.8	---	LOWER	NONE	YES		
510LF	4	R/A	2.8	---	LOWER	NONE	YES		
510HLF	4	R/A	2.8	---	LOWER	YES	YES		
520	5	R/A	2.8	---	LOWER	NONE	YES		
520LF	5	R/A	2.8	---	LOWER	NONE	YES		
520H	5	R/A	2.8	---	LOWER	YES	YES		
520HLF	5	R/A	2.8	---	LOWER	YES	YES		
530	2	R/A	1.48	---	LOWER	NONE	NONE		
530LF	2	R/A	1.48	---	LOWER	NONE	NONE		
540	2	R/A	2.5	---	LOWER	NONE	NONE	ND7	
540LF	2	R/A	2.5	---	LOWER	NONE	NONE		
505	FDR 0	R/A	2.8	8.6	UPPER	NONE	YES		
505LF	FDR 0	R/A	2.8	8.6	UPPER	NONE	YES		
535	FDR 2	R/A	1.48	9.28	UPPER	NONE	YES		
535LF	FDR 2	R/A	1.48	9.28	UPPER	NONE	YES		
545	FDR 2	R/A	2.5	10.3	UPPER	NONE	YES		
545LF	FDR 2	R/A	2.5	10.3	UPPER	NONE	YES		



NOTE
1. THIS PRODUCT MEETS EUROPEAN UNION DIRECTIVES AND OTHER COUNTRY REGULATIONS AS DESCRIBED IN GS-22-008.
2. PRODUCT SPEC: 110-263

92140-xxxH
(OPTIONAL HOLD DOWN)

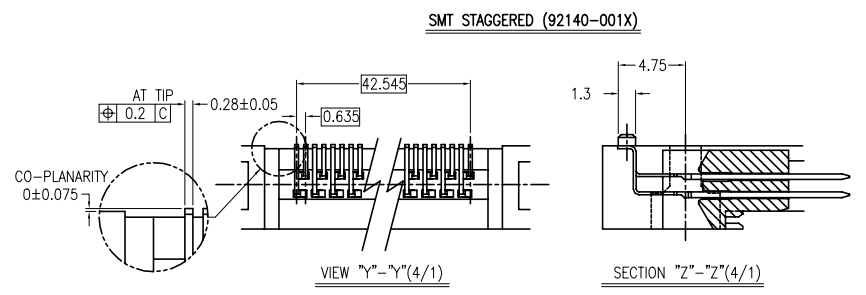
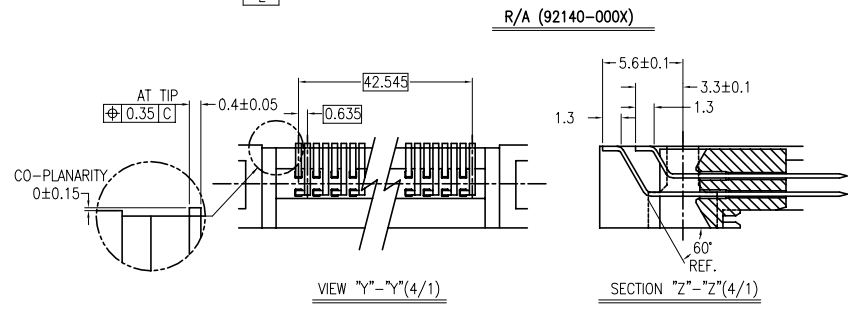
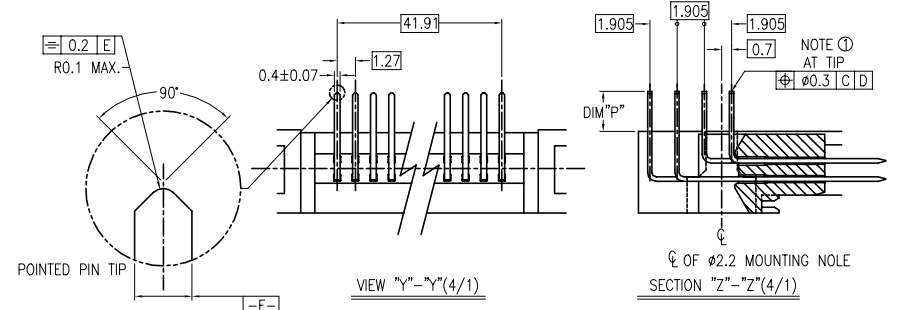
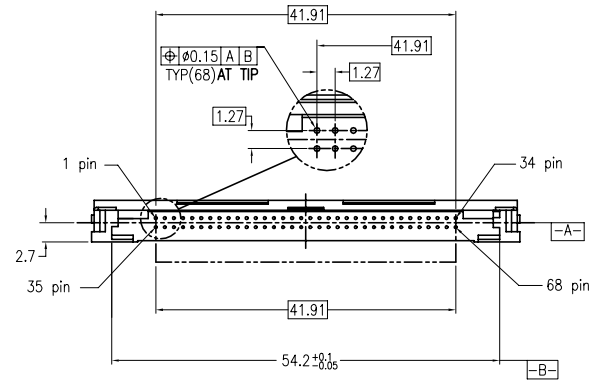
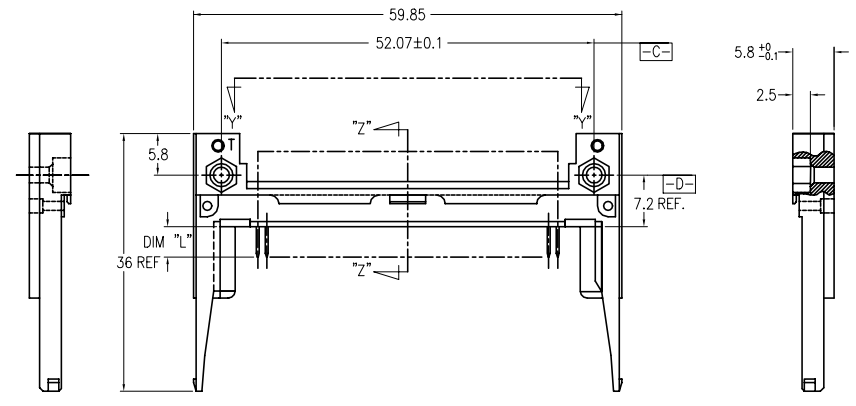
mat'l. code		surface ISD 1302		tolerance ISD 406 ISD 1101		projection 		product family PCMCIA	
ltr ecn no dr		date		tolerances unless other		wise specified		title	
AL	ELX-N-011428	ZK	04/23/12	angles	linear	0.X±0.3	MM 	68 PDS EJECTOR HEADER ASSY FOR 5.0V APPLICATION	
AE	N07-0026	D T	1/28/07			0.XX±0.13			
AF	N07-0114	C M	05/14/07	±2°		0.XXX±0.051			
AG	N07-0209	MZ	11/14/08	dr	Mike Zhou	11/21/06	FCI 	dwg no sheet 1 of 7 size	
AH	N08-0219	MZ	11/14/08	engr	Mike Zhou	11/21/06		92140 A4	
AJ	N09-0045	SH	05/26/09	chr	David Qin	11/21/06			
AK	ELX-N-007949	ZK	11/01/11	appd	Jack Wang	11/21/06		type CUSTOMER Drawing	
sheet	revision	AL	AL	AL	AL	AL		AL	
index	sheet	1	2	3	4	5	6	7	

FCI CONFIDENTIAL

FCI
FCIconnect.com

This document is the property of and embodies CONFIDENTIAL and PROPRIETARY information of FCI. No part of this information shown on this document may be used in any way or disclosed to others without the written consent of FCI.
Copyright FCI.

PRODUCT NO.
92140-000M
92140-000MLF
92140-000H
92140-000HLF
92140-001
92140-001LF
92140-001H
92140-001HLF
92140-002
92140-002LF
92140-002H
92140-002HLF



- NOTES
- TRUE POSITION IS A FREE GRID TO PIN PATTERN ITSELF.
 - SEE TA-946 FOR PCB LAYOUT.
 - MATERIAL HOUSING : HIGH TEMPERATURE THERMOPLASTIC UL94V-0 BLACK
PIN : COPPER ALLOY.
HOLD-DOWN : BRASS
 - FINISH PIN
UNDER PLATING : 0.5μm MIN. Ni.
CONTACT AREA : 0.076 μm MIN. GOLD

NOTE:SPECIAL VERSION:ONLY 0.25μm Au
 SOLDER AREA : 2.5μm MIN. Sn-Pb.
 OR 2.5μm MIN. PURE Sn.(FOR -XXXLF)
 HOLD-DOWN : 2.5μm MIN. PURE Sn.

- RECOMMENDED PCB HOLE (OPTIONAL HOLD-DOWN) : 2.3±0.1
- SEQUENCE PIN ASSIGNMENT

PIN No.	DIM "L"		
	OTHERS	36.67	5.0±0.1
	4.25±0.1	3.5±0.1	5.0±0.1
			117.34
			35.51.68

- GENERAL TOLERANCE : ±0.3
- SEE SHEET 1 REGARDING COMPONENTS.

mat'l. code	surface ISO 1302	tolerance ISO 406 ISO 1101	projection MM	product family PCMCIA
ltr ecn no dr date	tolerances unless otherwise specified			title 68 PDS EJECTOR HEADER ASSY FOR 5.0V APPLICATION
AL	angles ±2'	linear 0.X±0.3 0.XX±0.13 0.XXX±0.051	scale	dwg no 92140
	dr Mike Zhou	11/21/06	FCI	sheet 2 of 7 size A4
	enr Mike Zhou	11/21/06		type CUSTOMER Drawing
	chr David Qin	11/21/06		
	appd Jack Wang	11/21/06		

sheet index	revision sheet																			
-------------	----------------	--	--	--	--	--	--	--	--	--	--	--	--	--	--	--	--	--	--	--

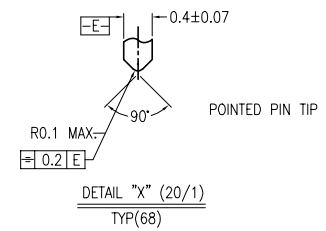
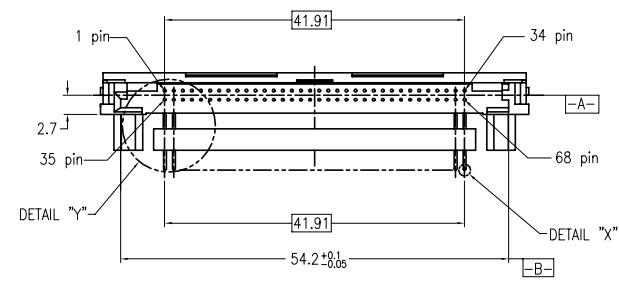
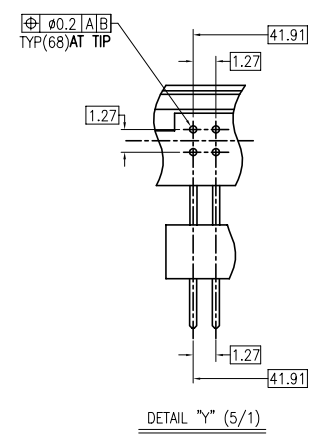
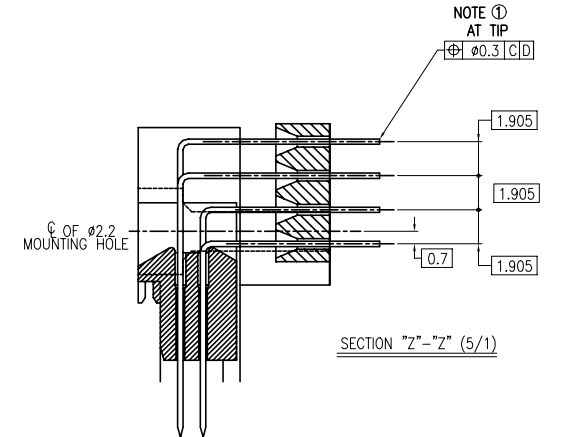
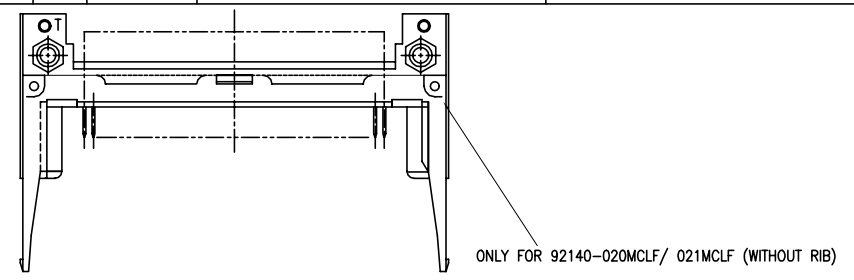
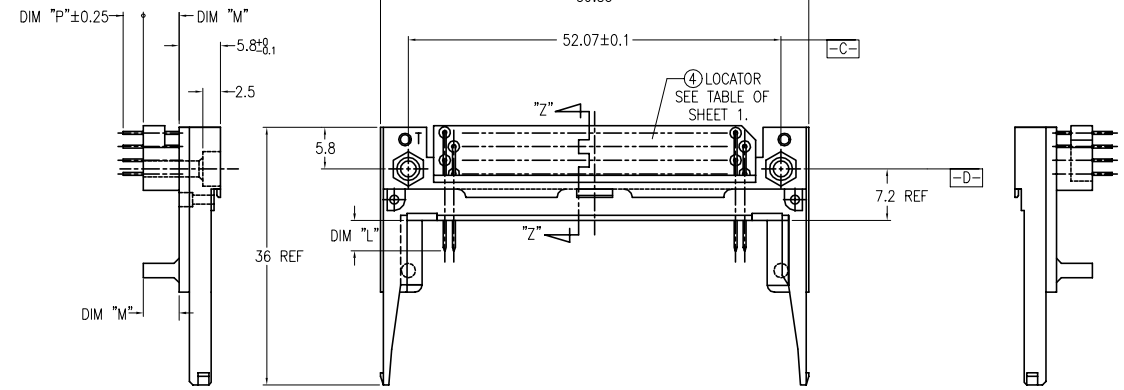
FCI CONFIDENTIAL

FCI

This document is the property of and embodies CONFIDENTIAL and PROPRIETARY information of FCI. No part of this information shown on this document may be used in any way or disclosed to others without the written consent of FCI.
Copyright FCI.

PRODUCT NO.	PRODUCT NO.
92140-010	92140-010LF
92140-010H	92140-010HLF
92140-020	92140-020LF
92140-020H	92140-020HLF
92140-040	92140-040LF
92140-050	92140-050LF
92140-050H	92140-050HLF
92140-020MLF	92140-040HLF
92140-021MLF	

STAND OFF HEIGHT



- NOTES
- TRUE POSITION IS A FREE GRID TO PIN PATTERN ITSELF.
 - SEE TA-946 FOR PCB LAYOUT.
 - MATERIAL
HOUSING : HIGH TEMPERATURE THERMOPLASTIC UL94V-0 BLACK
PIN : COPPER ALLOY
HOLD-DOWN : BRASS
 - FINISH PIN
UNDER PLATING : 0.5µm MIN. Ni.
CONTACT AREA 1 : 0.076 µm MIN. GOLD
CONTACT AREA 2 : 0.076 µm MIN. GOLD (FOR -XXXMLF).
SOLDER AREA : 2.5µm MIN. Sn-Pb.
OR 2.5µm MIN. PURE Sn.(FOR -XXXLF&XXXMLF)
HOLD-DOWN : 2.5µm MIN. PURE Sn.
 - RECOMMENDED PCB HOLE (OPTIONAL HOLD-DOWN) : 2.3±0.1
 - SEQUENCE PIN ASSIGNMENT

PIN No.	DIM "L"		
	4.25±0.1	3.5±0.1	5.0±0.1
OTHERS	36.67	1.1734	35.5168

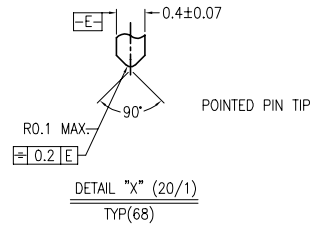
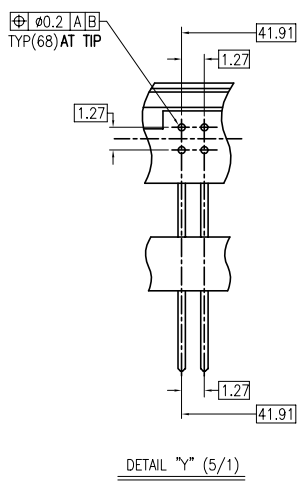
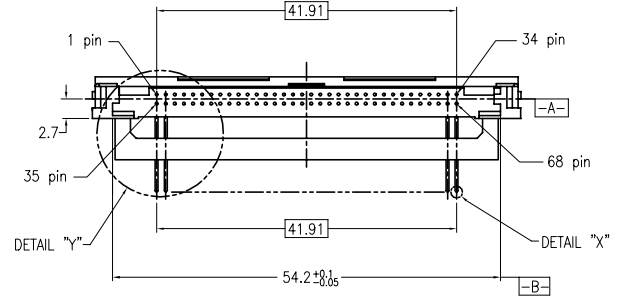
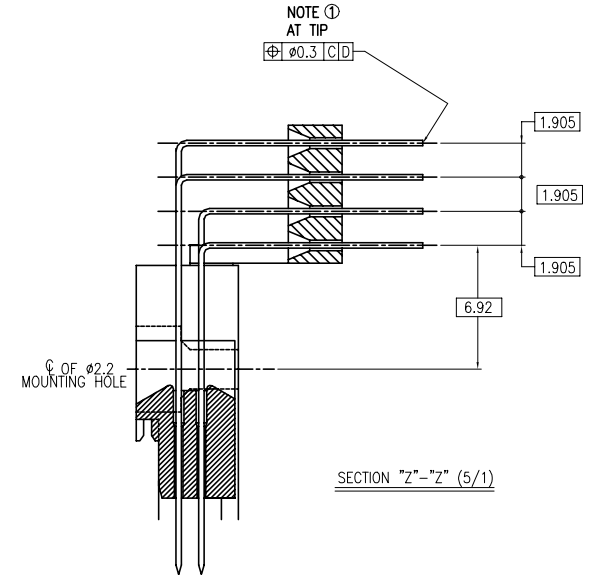
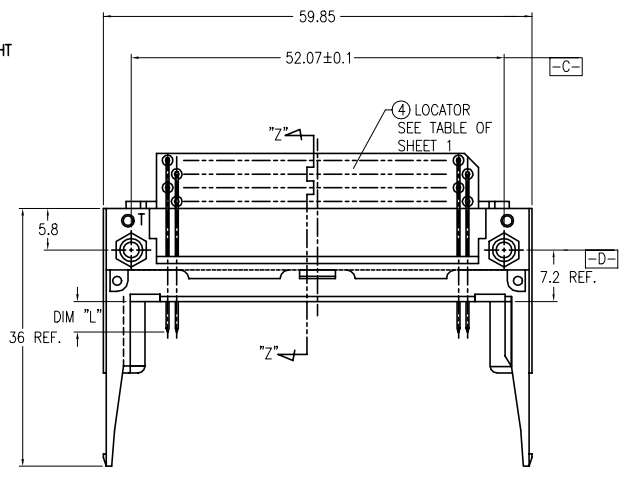
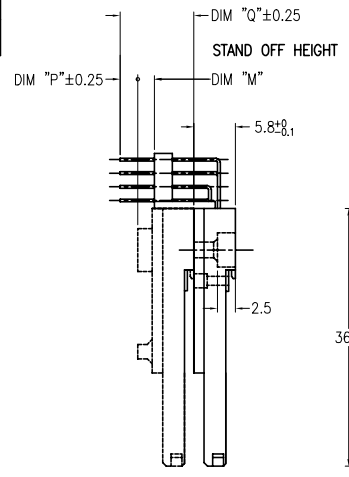
- GENERAL TOLERANCE : ±0.3
- SEE SHEET 1 REGARDING COMPONENTS.
- THIS PRODUCT MEETS EUROPEAN UNION DIRECTIVES AND OTHER COUNTRY REGULATIONS AS DESCRIBED IN GS-22-008

mat'l. code		surface	tolerance	projection	product family	PCMCIA
ISD 1302		ISD 406	ISD 1101			
ltr ecn no dr date		tolerances unless otherwise specified			title	
AL		angles	0.X±0.3	MM	68 PDS EJECTOR HEADER ASSY FOR 5.0V APPLICATION	
		linear	0.XX±0.13	scale		
		±2'	0.XXX±0.051			
dr	Mike Zhou	11/21/06		FCI	dwg no	sheet 3 of 7 size
engr	Mike Zhou	11/21/06			92140	A4
chr	David Qin	11/21/06				
appd	Jack Wang	11/21/06				
sheet index	revision sheet				type	CUSTOMER Drawing

FCI CONFIDENTIAL

FCI
FCIconnect.com

PRODUCT NO.
92140-005
92140-005LF
92140-045
92140-045LF



NOTES

- TRUE POSITION IS A FREE GRID TO PIN PATTERN ITSELF.
- SEE TA-946 FOR PCB LAYOUT.
- MATERIAL
HOUSING : HIGH TEMPERATURE THERMOPLASTIC UL94V-0 BLACK
PIN : COPPER ALLOY
HOLD-DOWN : BRASS
- FINISH
PIN
UNDER PLATING : 0.5μm MIN. Ni.
CONTACT AREA : 0.076 μm MIN. GOLD

SOLDER AREA : 2.5μm MIN. Sn-Pb.
OR 2.5μm MIN. PURE Sn.(FOR -XXXLF)
HOLD-DOWN : 2.5μm MIN. PURE Sn.
- RECOMMENDED PCB HOLE (OPTIONAL HOLD-DOWN) : 2.3±0.1
- SEQUENCE PIN ASSIGNMENT

PIN No.	DIM "L"		
	4.25±0.1	3.5±0.1	5.0±0.1
OTHERS	36.67	1.17, 34	35, 51, 68

- GENERAL TOLERANCE : ±0.3
- SEE SHEET 1 REGARDING COMPONENTS.
- THIS PRODUCT MEETS EUROPEAN UNION DIRECTIVES AND OTHER COUNTRY REGULATIONS AS DESCRIBED IN GS-22-008

mat'l. code	surface ISD 1302	tolerance ISD 406 ISD 1101	projection MM	product family PCMCIA
ltr ecn no dr date	tolerances unless otherwise specified			title 68 PDS EJECTOR HEADER ASSY FOR 5.0V APPLICATION
AL	angles ±2°	linear 0.X±0.3 0.XX±0.13 0.XXX±0.051	scale	dwg no 92140
	dr Mike Zhou 11/21/06	enrg Mike Zhou 11/21/06	chr David Qin 11/21/06	sheet 4 of 7 size A4
	appd Jack Wang 11/21/06	type CUSTOMER		Drawing

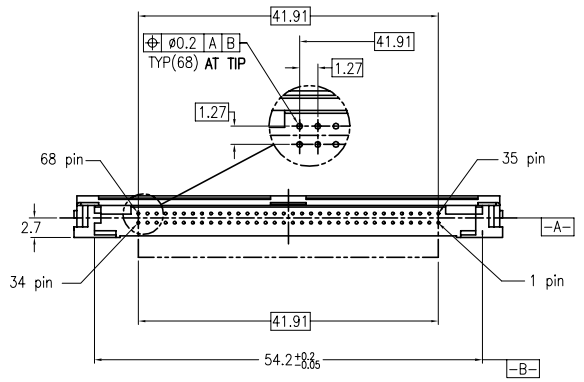
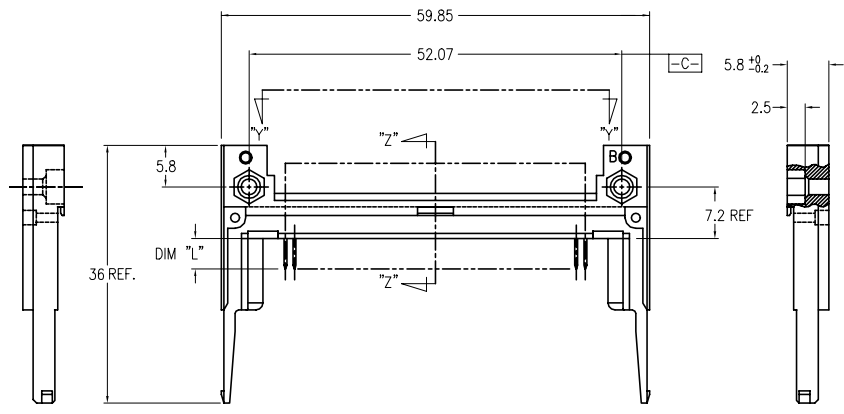
sheet index	revision sheet																			
-------------	----------------	--	--	--	--	--	--	--	--	--	--	--	--	--	--	--	--	--	--	--

FCI CONFIDENTIAL

FCI

This document is the property of and embodies CONFIDENTIAL and PROPRIETARY information of FCI. No part of this information shown on this document may be used in any way or disclosed to others without the written consent of FCI. Copyright FCI.

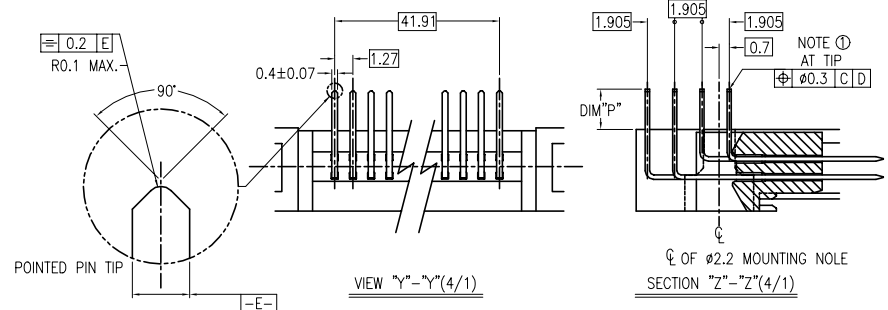
PRODUCT NO.
92140-500
92140-500LF
92140-500H
92140-500HLF
92140-501
92140-501LF
92140-501H
92140-501HLF
92140-502
92140-502LF
92140-502H
92140-502HLF
92140-503
92140-503LF



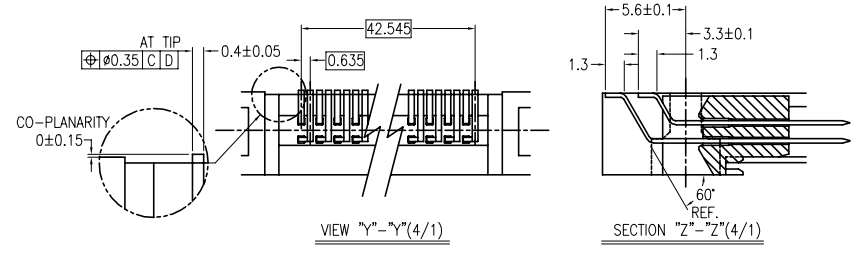
- NOTES
- TRUE POSITION IS A FREE GRID TO PIN PATTERN ITSELF.
 - SEE TA-946 FOR PCB LAYOUT.
 - MATERIAL
 - HOUSING : HIGH TEMPERATURE THERMOPLASTIC UL94V-0 BLACK
 - PIN : PHOSPHOR BRONZE.
 - HOLD-DOWN : BRASS
 - FINISH
 - PIN UNDER PLATING : 0.5µm MIN. Ni.
 - CONTACT AREA : 0.076 µm MIN. GOLD
 - SOLDER AREA : 2.5µm MIN. Sn-Pb.
 - OR 2.5µm MIN. PURE Sn.(FOR -XXXLF)
 - HOLD-DOWN : 2.5µm MIN. PURE Sn.
 - RECOMMENDED PCB HOLE (OPTIONAL HOLD-DOWN) : 2.3±0.1
 - SEQUENCE PIN ASSIGNMENT

PIN No.	DIM "L"		
	OTHERS	36.67	1.17, 34, 35, 51, 68
	4.25±0.1	3.5±0.1	5.0±0.1

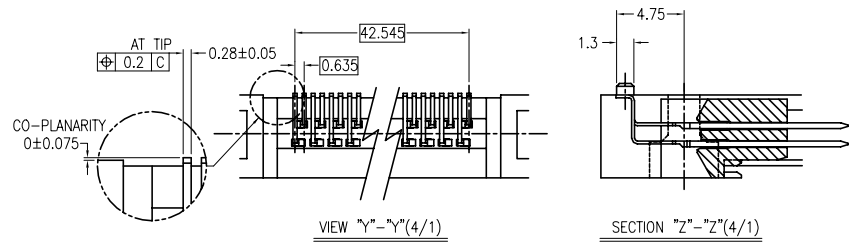
- GENERAL TOLERANCE : ±0.3
- SEE SHEET 1 REGARDING COMPONENTS.
- THIS PRODUCT MEETS EUROPEAN UNION DIRECTIVES AND OTHER COUNTRY REGULATIONS AS DESCRIBED IN GS-22-008



R/A (92140-500X)



SMT STAGGERED (92140-501X)



SMT IN LINE (92140-502X)

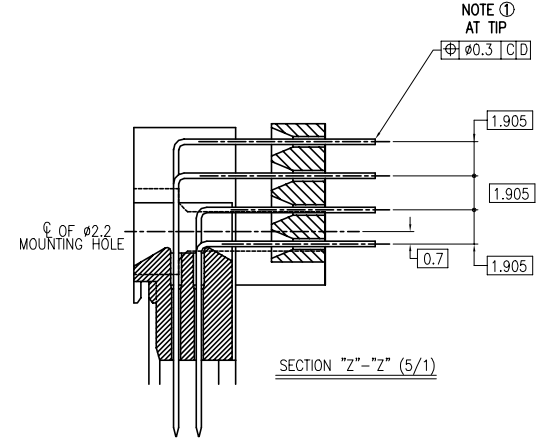
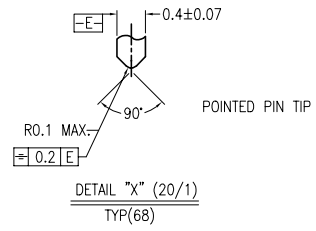
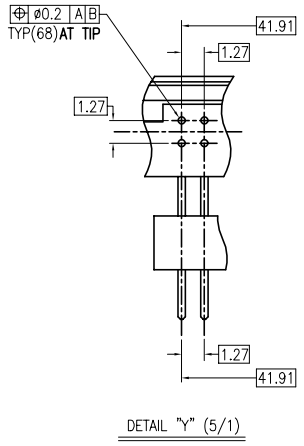
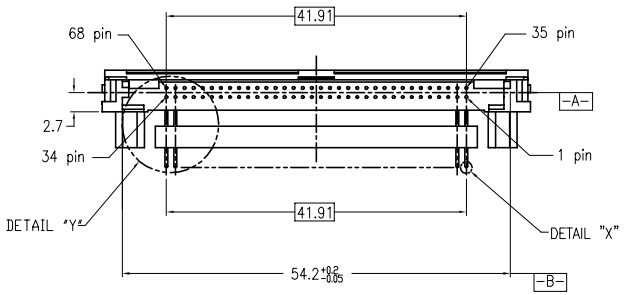
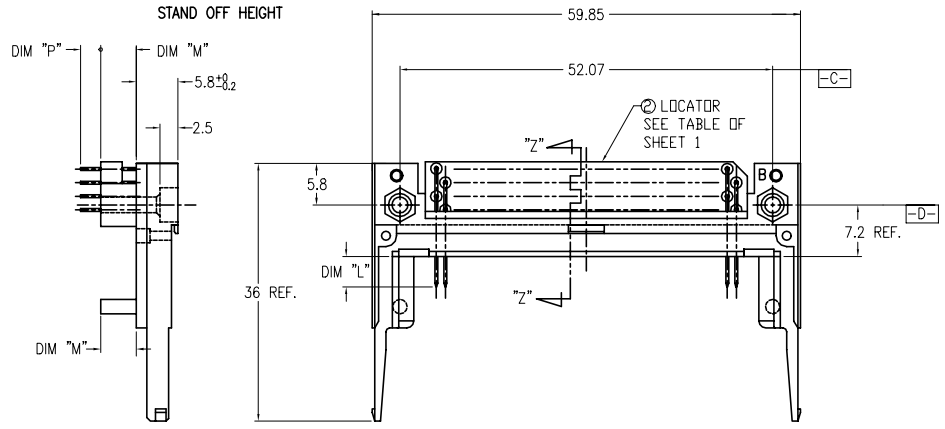
mat'l. code		surface		tolerance		projection		product family		PCMCIA	
		ISD 1302		ISD 406 ISD 1101							
ltr ecn nldr date		tolerances unless other		wise specified		title					
		angles		linear				68 PDS EJECTOR HEADER ASSY FOR 5.0V APPLICATION			
		±2°		0.X±0.3		MM		dwg no			
				0.XX±0.13		scale		92140			
				0.XXX±0.051				sheet 5 of 7 size			
		dr Mike Zhou		11/21/06				A4			
		enrg Mike Zhou		11/21/06				type CUSTOMER Drawing			
		chr David Qin		11/21/06							
		appd Jack Wang		11/21/06							
sheet index		revision sheet									

FCI CONFIDENTIAL

FCI
FCIconnect.com

This document is the property of and embodies CONFIDENTIAL and PROPRIETARY information of FCI. No part of this information shown on this document may be used in any way or disclosed to others without the written consent of FCI.
Copyright FCI.

PRODUCT NO.		
92140-510	92140-510LF	92140-510HLF
92140-520	92140-520LF	
92140-520H	92140-520HLF	
92140-530	92140-530LF	
92140-540	92140-540LF	



- NOTES
- TRUE POSITION IS A FREE GRID TO PIN PATTERN ITSELF.
 - SEE TA-946 FOR PCB LAYOUT.
 - MATERIAL
HOUSING : HIGH TEMPERATURE THERMOPLASTIC UL94V-0 BLACK
PIN : COPPER ALLOY.
HOLD-DOWN : BRASS
 - FINISH
PIN
UNDER PLATING : 0.5µm MIN. Ni.
CONTACT AREA : 0.076 µm MIN. GOLD
SOLDER AREA : 2.5µm MIN. Sn-Pb.
OR 2.5µm MIN. PURE Sn.(FOR -XXXLF)
HOLD-DOWN : 2.5µm MIN. PURE Sn.
 - RECOMMENDED PCB HOLE (OPTIONAL HOLD-DOWN) : 2.3±0.1
 - SEQUENCE PIN ASSIGNMENT

PIN No.	DIM "L"		
	4.25±0.1	3.5±0.1	5.0±0.1
OTHERS	36.67	117.34	35.51, 68

- GENERAL TOLERANCE : ±0.3
- SEE SHEET 1 REGARDING COMPONENTS.
- THIS PRODUCT MEETS EUROPEAN UNION DIRECTIVES AND OTHER COUNTRY REGULATIONS AS DESCRIBED IN GS-22-008

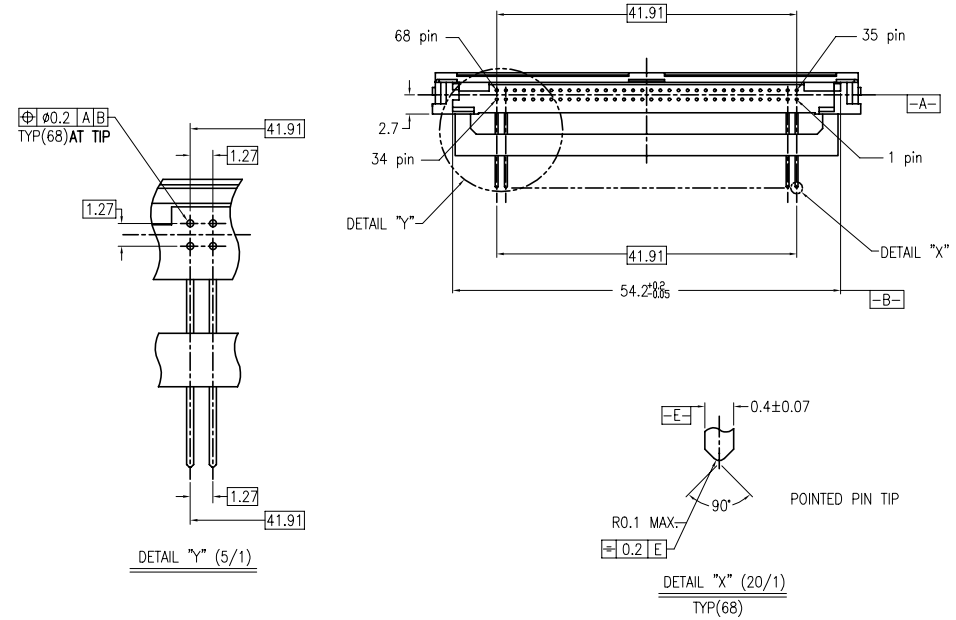
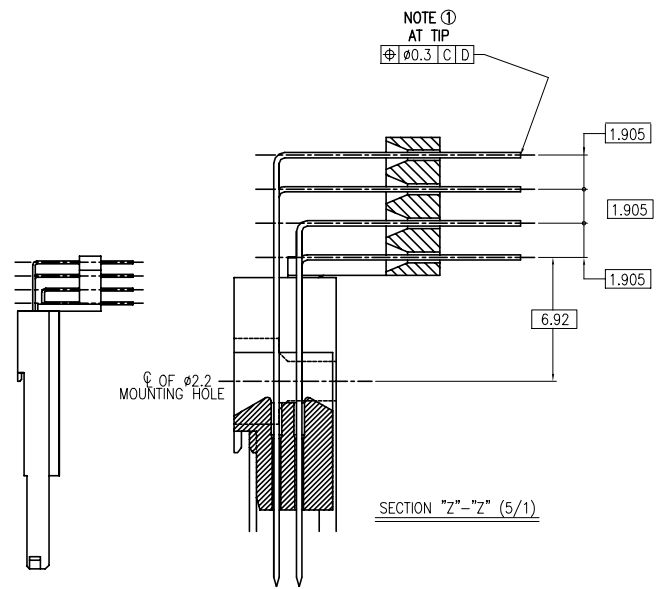
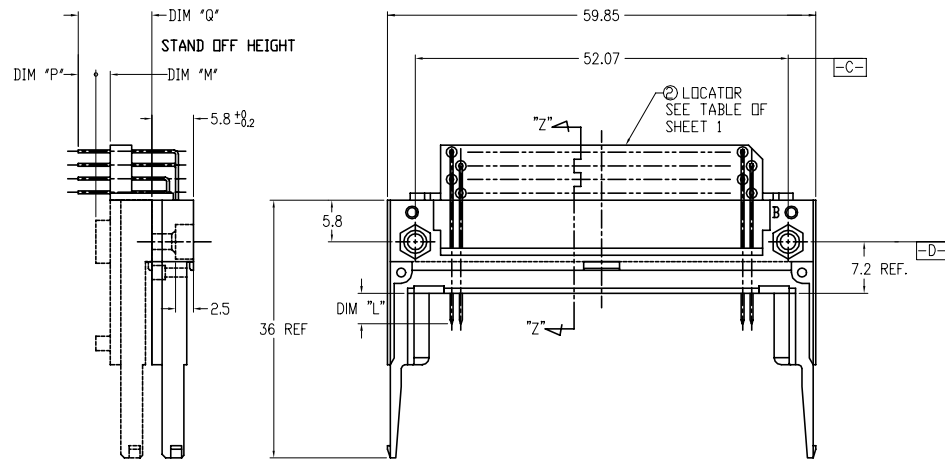
mat'l. code	surface ISO 1302	tolerance ISO 406 ISO 1101	projection 1:1	product family PCMCIA
tr ecn no dr date	tolerances unless otherwise specified			title
AL	angles ±2°	linear 0.X±0.3 0.XX±0.13 0.XXX±0.051	MM ←→ scale	68 PDS EJECTOR HEADER ASSY FOR 5.0V APPLICATION
dr	Mike Zhou	11/21/06	FCI	dwg no
enr	Mike Zhou	11/21/06		92140
chr	David Qin	11/21/06		sheet 6 of 7
app	Jack Wang	11/21/06		size A4
type	CUSTOMER			Drawing

sheet index	revision sheet																			
-------------	----------------	--	--	--	--	--	--	--	--	--	--	--	--	--	--	--	--	--	--	--

FCI CONFIDENTIAL

FCI
FCIconnect.com

PRODUCT NO.
92140-505
92140-505LF
92140-535
92140-535LF
92140-545
92140-545LF



- NOTES
- TRUE POSITION IS A FREE GRID TO PIN PATTERN ITSELF.
 - SEE TA-946 FOR PCB LAYOUT.
 - MATERIAL
HOUSING : HIGH TEMPERATURE THERMOPLASTIC UL94V-0 BLACK
PIN : COPPER ALLOY.
HOLD-DOWN : BRASS
 - FINISH
PIN
UNDER PLATING : 0.5μm MIN. Ni.
CONTACT AREA : 0.076 μm MIN. GOLD
SOLDER AREA : 2.5μm MIN. Sn-Pb.
OR 2.5μm MIN. PURE Sn.(FOR -XXXLF)
HOLD-DOWN : 2.5μm MIN. PURE Sn.
 - RECOMMENDED PCB HOLE (OPTIONAL HOLD-DOWN) : 2.3±0.1
 - SEQUENCE PIN ASSIGNMENT

PIN No.	DIM "L"		
	4.25±0.1	3.5±0.1	5.0±0.1
OTHERS	1.734	36.67	35.51.68

- GENERAL TOLERANCE : ±0.3
- SEE SHEET 1 REGARDING COMPONENTS.
- THIS PRODUCT MEETS EUROPEAN UNION DIRECTIVES AND OTHER COUNTRY REGULATIONS AS DESCRIBED IN GS-22-008
- PRODUCT SPEC: 110-263

mat'l. code	surface ISO 1302	tolerance ISO 406 ISO 1101	projection MM	product family PCMCIA
ltr ecn nodr date	tolerances unless otherwise specified			title 68 PDS EJECTOR HEADER ASSY FOR 5.0V APPLICATION
AL	angles linear	0.X±0.3 0.XX±0.13 0.XXX±0.051	scale	dwg no 92140
	dr Mike Zhou	11/21/06	FCI	sheet 7 of 7 size A4
	enrg Mike Zhou	11/21/06		type CUSTOMER Drawing
	chr David Qin	11/21/06		
	appd Jack Wang	11/21/06		
sheet index	revision sheet			