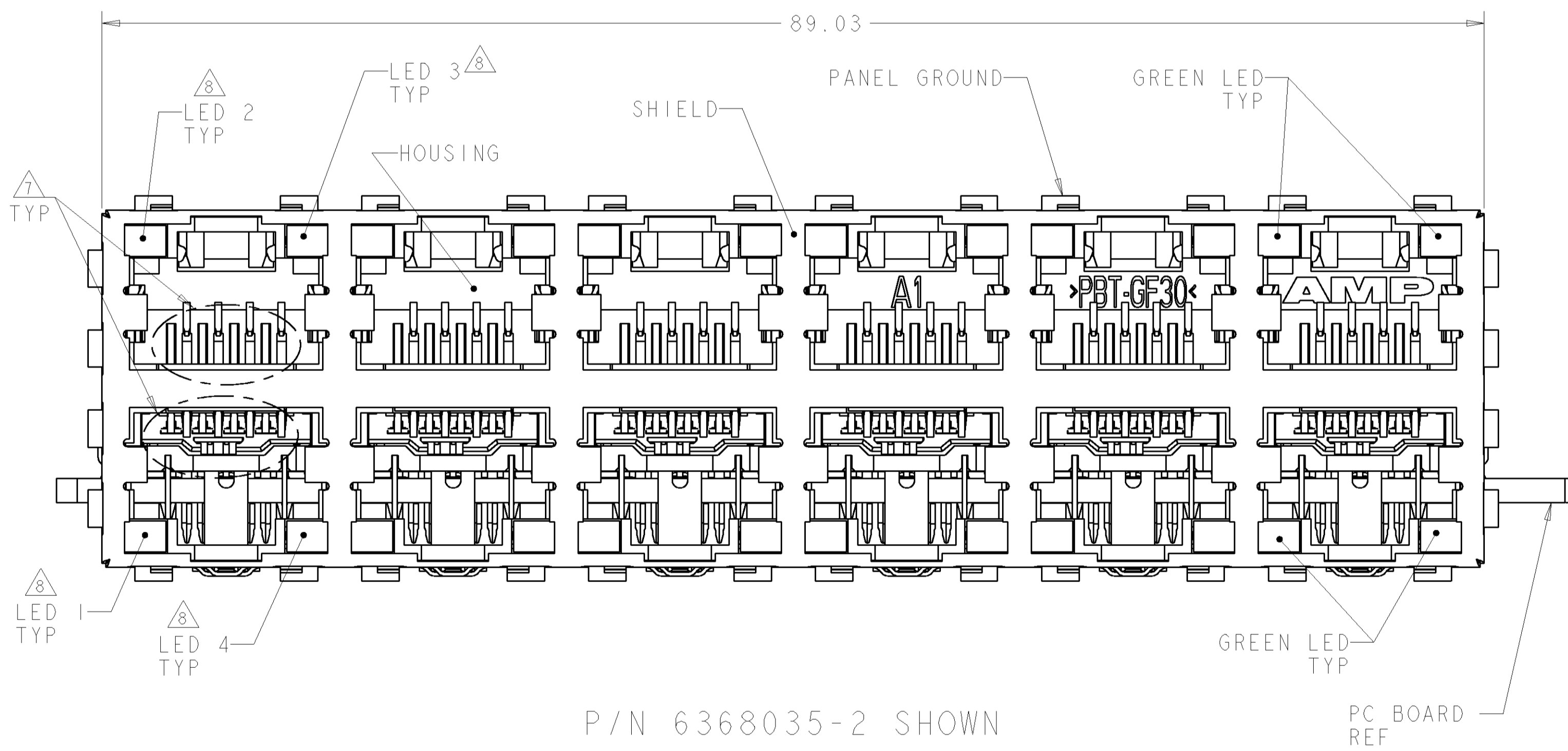
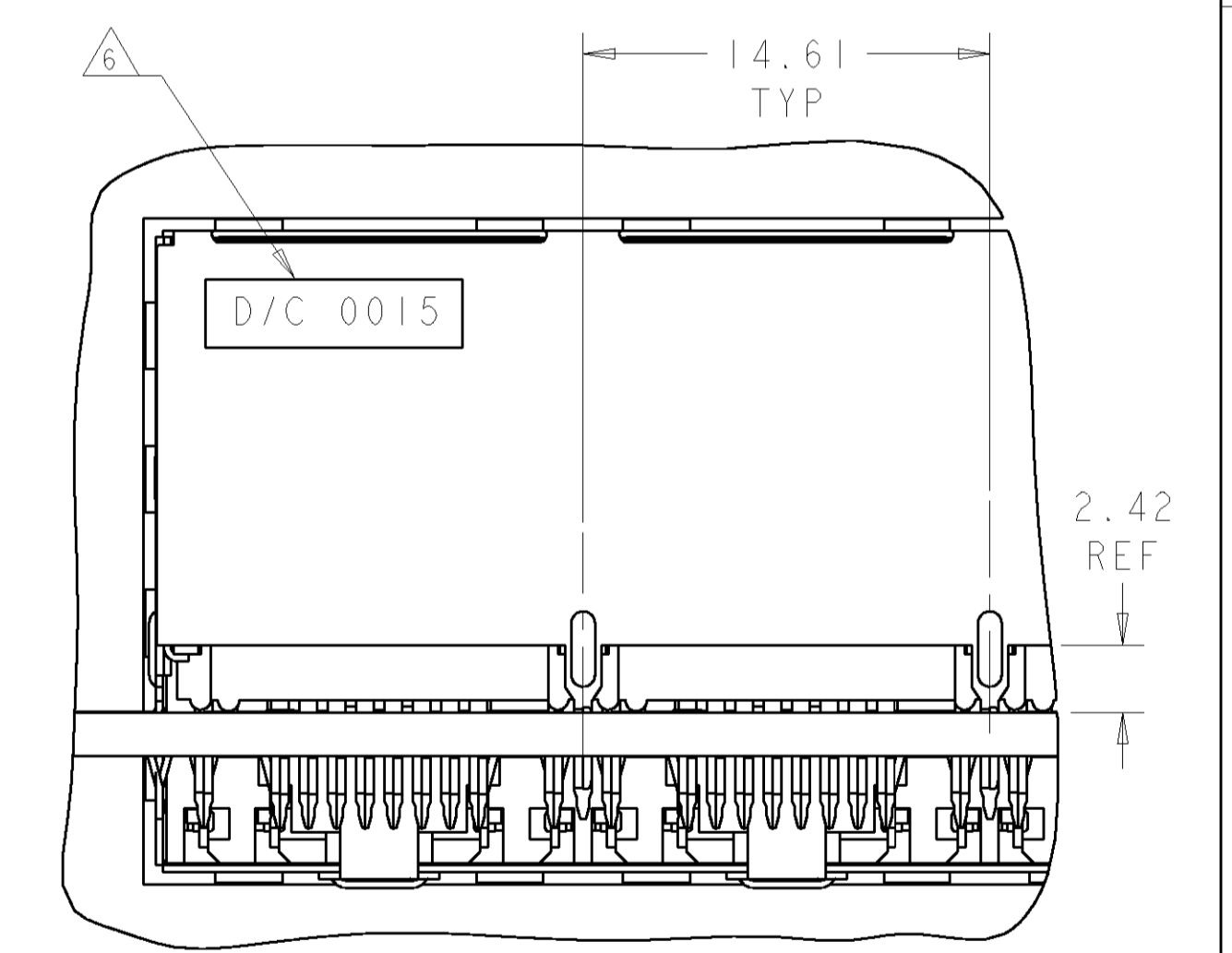
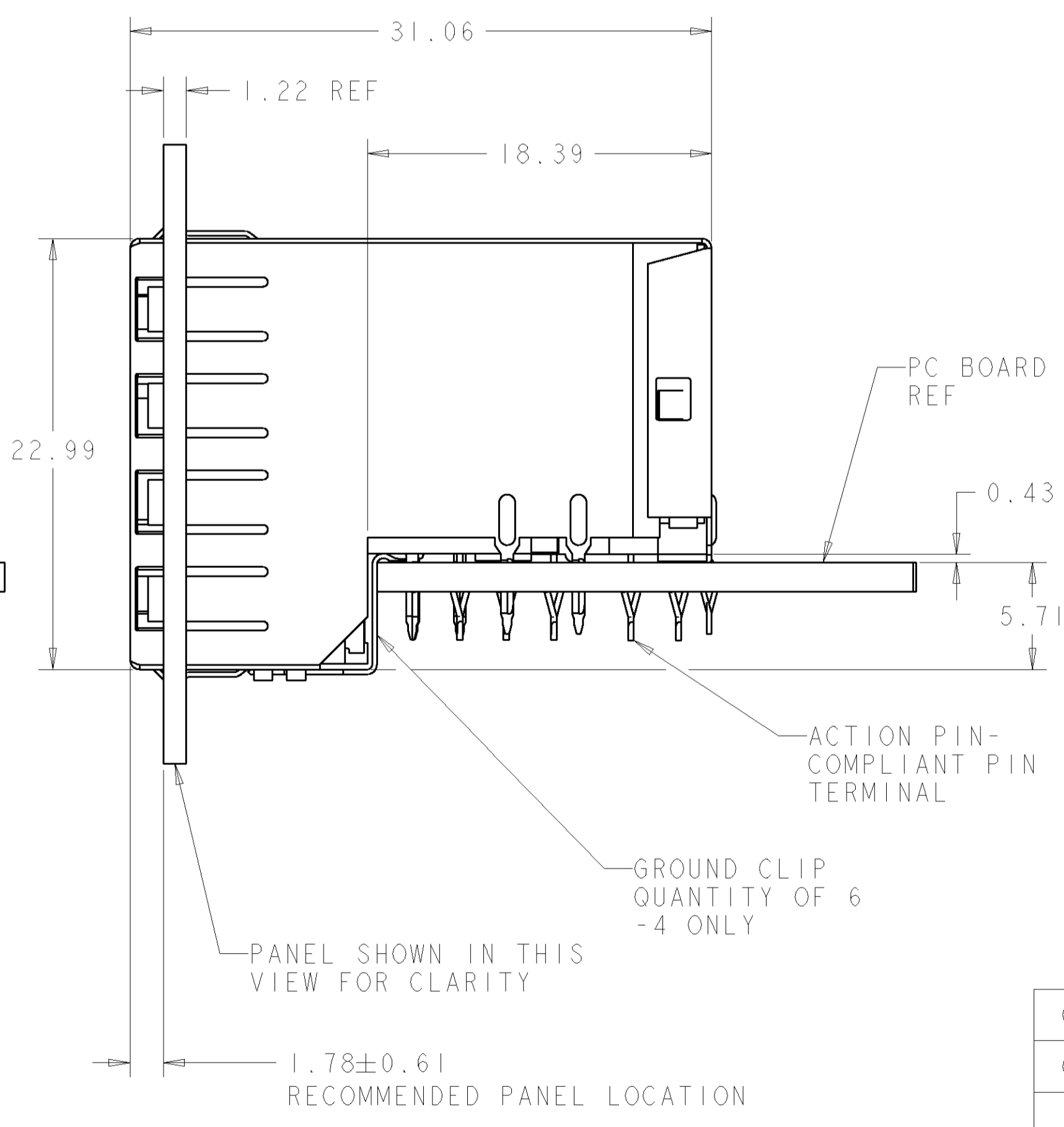


LOC		DIST		REVISIONS			
AA	22	P	LTR	DESCRIPTION	DATE	DNW	APVD
		A		REVISED PER EC 0511-0201-04	29JUL2005	LV	SF

- MATERIAL:
  - HOUSING: PBT POLYESTER, BLACK, UL 94V-0.
  - TERMINALS: 0.33 THICK PHOSPHOR BRONZE PLATED WITH 1.27µm MINIMUM THICK HARD GOLD IN LOCALIZED AREA AND 2µm MINIMUM THICK MATTE TIN IN ACTION PIN COMPLIANT PIN TERMINAL AREA OVER 1.27µm MINIMUM THICK NICKEL UNDERPLATE.
  - SHIELD: 0.25 THICK COPPER ALLOY PLATED WITH 2.03µm MINIMUM BRIGHT TIN OVER 1.27µm MINIMUM NICKEL.
  - LIGHT EMITTING DIODE (LED): DIFFUSED EPOXY LENS, 12.95 CARBON STL WIREFRAME LEADS PREPLATED WITH 2.29µm SILVER OVER 1.02µm NICKEL UNDERPLATE OVER 2.03µm COPPER UNDERPLATE.
  - LED ACTION PIN - COMPLIANT PIN CONTACTS 0.3 THICK BRASS PLATED WITH 2-4µm BRIGHT TIN.
- JACK CAVITY CONFORMS TO FCC RULES AND REGULATIONS, PART 68 SUBPART F.
- ALL DIMENSIONS ARE NOMINAL UNLESS OTHERWISE SPECIFIED.
  - △4 DRILLED HOLE DIA = 1.02±.025.  
COPPER THICKNESS = 0.025-0.075.  
TIN-LEAD THICKNESS = 0.008 MIN.
  - △5 DATUMS AND BASIC DIMENSIONS ESTABLISHED BY CUSTOMER.
  - △6 DATE CODE LOCATED ON REAR OF PART APPROXIMATELY AS SHOWN.
  - △7 CONTACTS ARE NOT INTENDED TO BE ALIGNED WITH EACH OTHER.
  - △8 SUGGESTED OPERATING CURRENT FOR LEDS IS 20 mA.



P/N 6368035-2 SHOWN

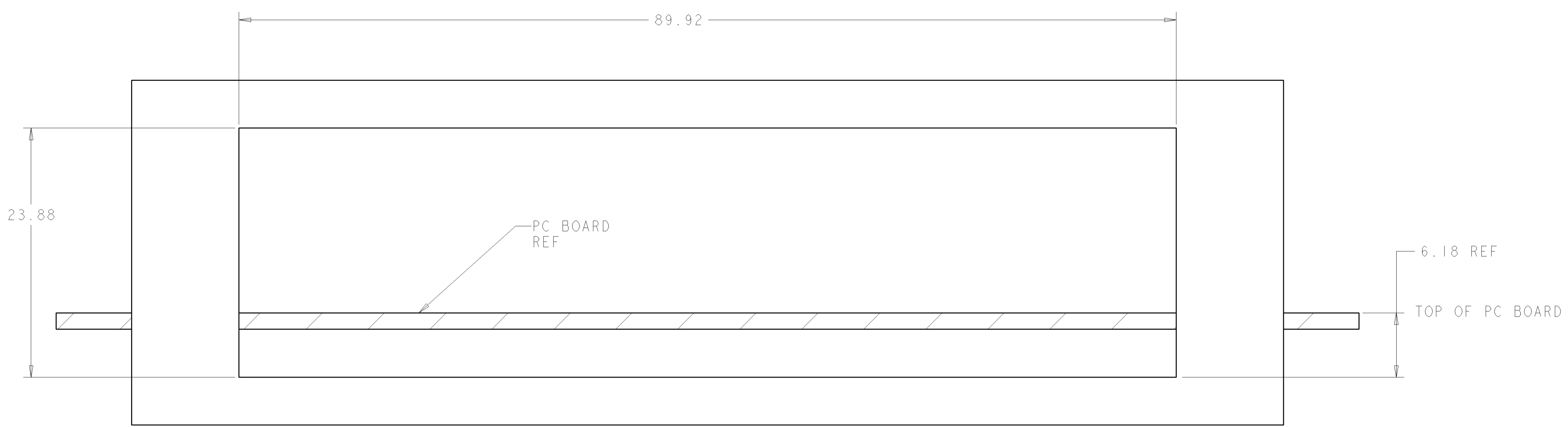


PARTIAL BACK VIEW

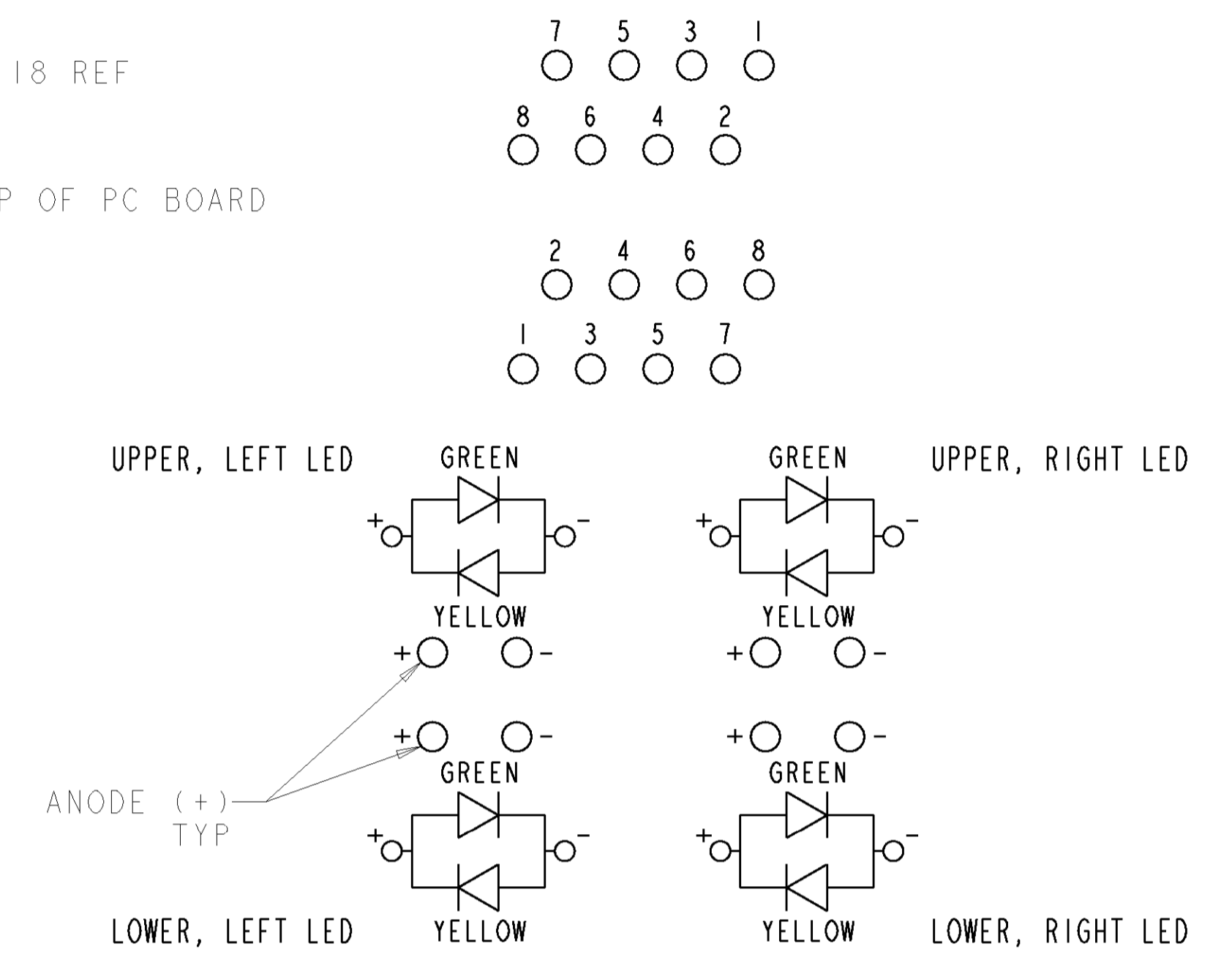
LED COLOR	DESCRIPTION	PART NUMBER
GREEN/YELLOW	WITH GROUND CLIP	6368035-4
GREEN/YELLOW	WITHOUT GROUND CLIP	6368035-3
GREEN	WITHOUT GROUND CLIP	6368035-1

DIMENSIONS: mm: 0 PLC ±, 1 PLC ±0.13, 2 PLC ±0.13, 3 PLC ±, 4 PLC ±, ANGLES ±1		TOLERANCES UNLESS OTHERWISE SPECIFIED: FINISH: -		DIM: 29 JUL 2005 DWN: J. VARELA - DOCKS CHK: J. WESTMAN APVD: S. FLICKINGER		NAME: STACKED MODULAR JACK ASSEMBLY 2 X 6 OFFSET, W/LEDS, 8 POSN, RJ45 SHIELDED PANEL GROUND, CAT 5	
MATERIAL: -		WEIGHT: -		SIZE: 114-2160 CAGE CODE: A100779 DRAWING NO: C-6368035		RESTRICTED TO: -	
CUSTOMER DRAWING				SCALE: 4:1		SHEET: 1 OF 2 REV: A	

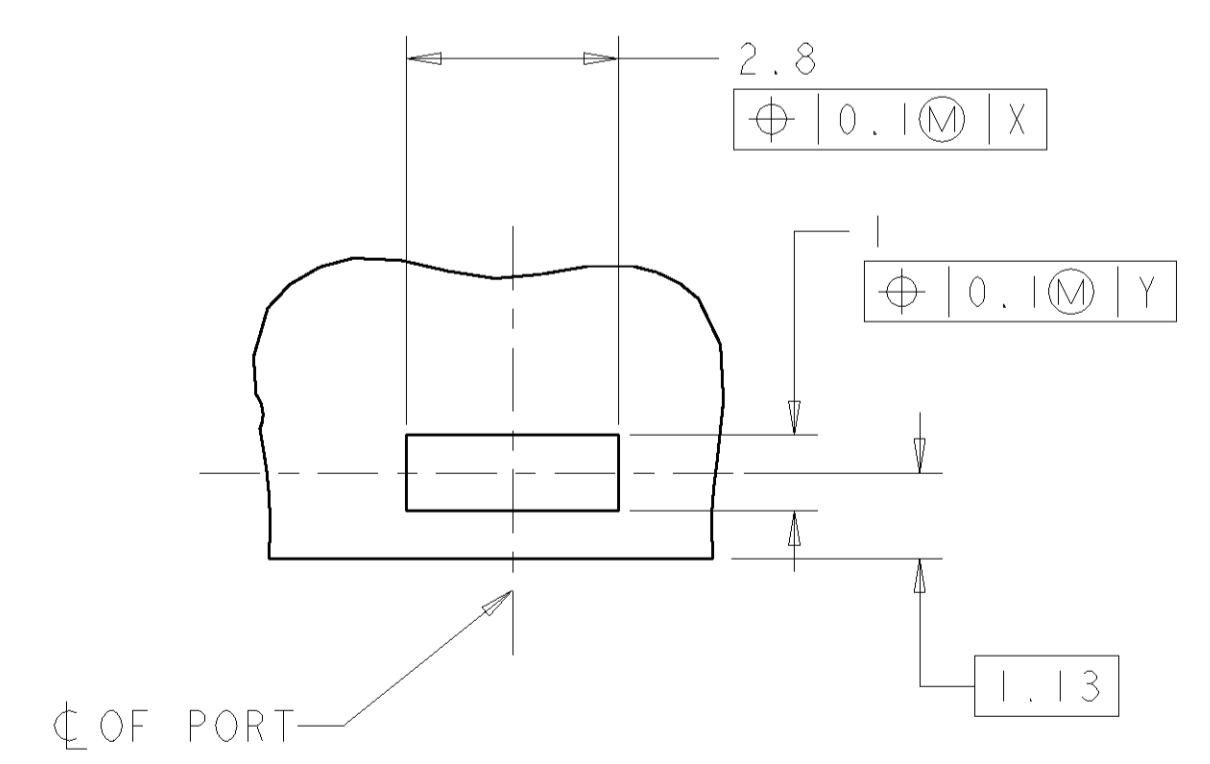
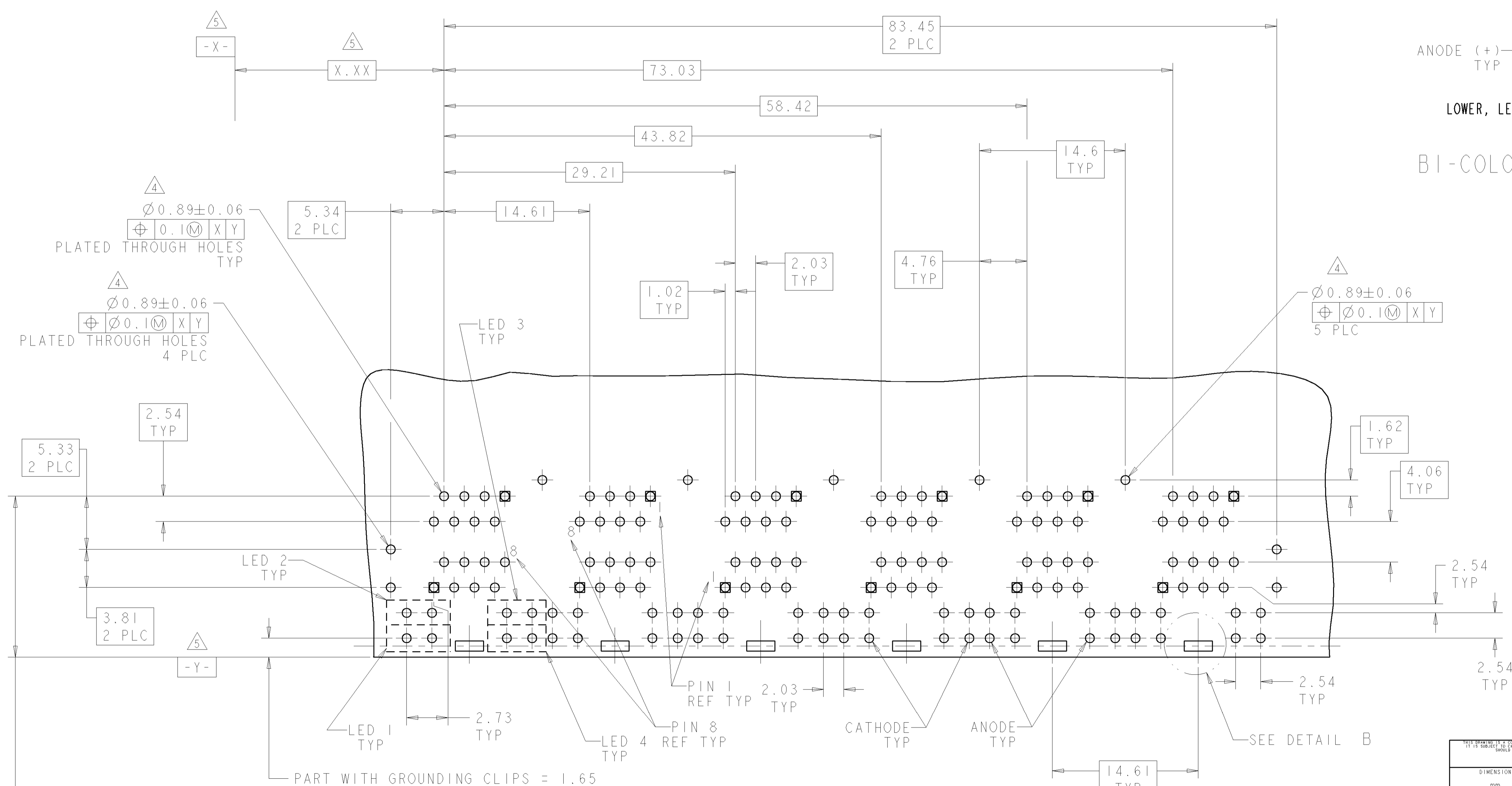
LOC	DIST	P	LTR	REVISIONS	DATE	DWN	APVD
AA	22	-	-	SEE SHEET 1	-	-	-



RECOMMENDED PANEL CUT-OUT



BI-COLOR LED SCHEMATIC FOR 6368035-3 & -4



DETAIL B  
 THESE PLATED PADS REQUIRED FOR 6368035-4  
 PRODUCTS WITH GROUNDING CLIPS  
 SCALE 10:1  
 6 PLACES

15.88 WITH GROUNDING CLIPS  
 16.13 WITHOUT GROUNDING CLIPS

PART WITH GROUNDING CLIPS = 1.65  
 PART WITHOUT GROUNDING CLIPS = 1.91  
 PC BOARD LAYOUT  
 (COMPONENT SIDE)

DIMENSIONS:		TOLERANCES UNLESS OTHERWISE SPECIFIED:		DWN		Tyco Electronics	
mm	0 PLC	±	0.13	EL VARELA	29 JUL 2005	108-1854	Stacked Modular Jack Assembly
	1 PLC	±	0.13	J. WESTMAN	29 JUL 2005	114-2160	2 X 6 OFFSET, W/LEDS, 8 POSN, RJ45
	2 PLC	±	0.13	S. FLICKINGER	29 JUL 2005		SHIELDED PANEL GROUND, CAT 5
	3 PLC	±	0.13				
	4 PLC	±	0.13				
	5 PLC	±	0.13				
	6 PLC	±	0.13				
	7 PLC	±	0.13				
	8 PLC	±	0.13				
	9 PLC	±	0.13				
	10 PLC	±	0.13				
	11 PLC	±	0.13				
	12 PLC	±	0.13				
	13 PLC	±	0.13				
	14 PLC	±	0.13				
	15 PLC	±	0.13				
	16 PLC	±	0.13				
	17 PLC	±	0.13				
	18 PLC	±	0.13				
	19 PLC	±	0.13				
	20 PLC	±	0.13				
	21 PLC	±	0.13				
	22 PLC	±	0.13				
	23 PLC	±	0.13				
	24 PLC	±	0.13				
	25 PLC	±	0.13				
	26 PLC	±	0.13				
	27 PLC	±	0.13				
	28 PLC	±	0.13				
	29 PLC	±	0.13				
	30 PLC	±	0.13				
	31 PLC	±	0.13				
	32 PLC	±	0.13				
	33 PLC	±	0.13				
	34 PLC	±	0.13				
	35 PLC	±	0.13				
	36 PLC	±	0.13				
	37 PLC	±	0.13				
	38 PLC	±	0.13				
	39 PLC	±	0.13				
	40 PLC	±	0.13				
	41 PLC	±	0.13				
	42 PLC	±	0.13				
	43 PLC	±	0.13				
	44 PLC	±	0.13				
	45 PLC	±	0.13				
	46 PLC	±	0.13				
	47 PLC	±	0.13				
	48 PLC	±	0.13				
	49 PLC	±	0.13				
	50 PLC	±	0.13				
	51 PLC	±	0.13				
	52 PLC	±	0.13				
	53 PLC	±	0.13				
	54 PLC	±	0.13				
	55 PLC	±	0.13				
	56 PLC	±	0.13				
	57 PLC	±	0.13				
	58 PLC	±	0.13				
	59 PLC	±	0.13				
	60 PLC	±	0.13				
	61 PLC	±	0.13				
	62 PLC	±	0.13				
	63 PLC	±	0.13				
	64 PLC	±	0.13				
	65 PLC	±	0.13				
	66 PLC	±	0.13				
	67 PLC	±	0.13				
	68 PLC	±	0.13				
	69 PLC	±	0.13				
	70 PLC	±	0.13				
	71 PLC	±	0.13				
	72 PLC	±	0.13				
	73 PLC	±	0.13				
	74 PLC	±	0.13				
	75 PLC	±	0.13				
	76 PLC	±	0.13				
	77 PLC	±	0.13				
	78 PLC	±	0.13				
	79 PLC	±	0.13				
	80 PLC	±	0.13				
	81 PLC	±	0.13				
	82 PLC	±	0.13				
	83 PLC	±	0.13				
	84 PLC	±	0.13				
	85 PLC	±	0.13				
	86 PLC	±	0.13				
	87 PLC	±	0.13				
	88 PLC	±	0.13				
	89 PLC	±	0.13				
	90 PLC	±	0.13				
	91 PLC	±	0.13				
	92 PLC	±	0.13				
	93 PLC	±	0.13				
	94 PLC	±	0.13				
	95 PLC	±	0.13				
	96 PLC	±	0.13				
	97 PLC	±	0.13				
	98 PLC	±	0.13				
	99 PLC	±	0.13				
	100 PLC	±	0.13				