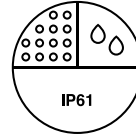
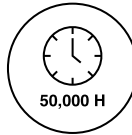
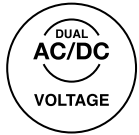




SP160604 Series AC/DC Utility LED Bulb for Emergency Lighting



9W Direct Incandescent Replacement seamlessly transitions from AC to DC operation. Operates from 105-280VDC and from 110-130VAC



Applications

- Beacon Lighting
- Blue Light Towers/Call Stations
- Emergency Backup
- Infrastructure
- Transit
- Water Treatment Facilities
- Tunnels
- Parking Garages
- Power Plants

Key Benefits

- Reliable AC/DC operation from 105-280VDC - 110-130VAC - designed by VCC engineers with special circuit topology to seamlessly switch from the grid to backup power
- Ideal for emergency backup - IP rated to ensure protection from droplets and dust from water main breaks, extreme weather, fires, and other hazardous environments
- Simple, low-cost retrofit - standard size of E26/A21 allows for easy upgrade to LED without throwaway parts
- 50x longer bulb life than incandescents - rated at 50,000 hours to L80
- Safe operation in fully enclosed fixtures - designed with temperature-sensing fold-back circuitry to prevent overheating
- Significant energy savings - uses 1/10th the power of a 100W incandescent bulb
- Eliminates downtime for maintenance - bulbs last 50,000 hours so no need for replacement
- Extreme value - one of VCC's 9W AC/DC Utility Bulb is about half the price of similar products available



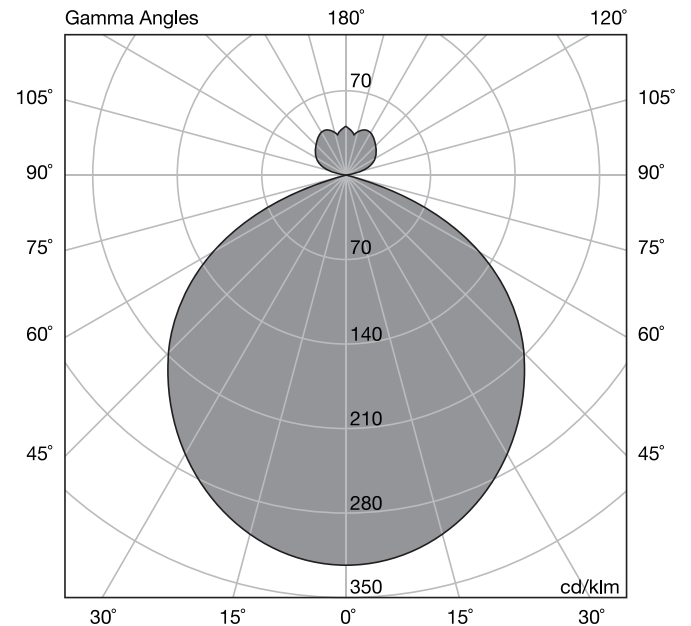
Features

- Fold-back circuitry prevents overheating and is UL/CSA 1993 compliant for fully enclosed fixtures
- Direct replacement bulb for 100W incandescents
- No tools or kits required to upgrade to LED
- Standard E26 base and A21 shape fits can accommodate existing fixtures (can also accommodate A19 with E26 base depending on enclosed fixture's dimensions)
- 5-year limited warranty — two years longer than comparable bulbs
- Custom LED colors and color temperatures are available (2700K, 3000K, 3500K, 4000K, 5700K, and 5400K)
- Available with or without IP61 rating
- UL/CSA 1993 compliant for fully-enclosed fixtures
- cETLus listed

Product Specifications

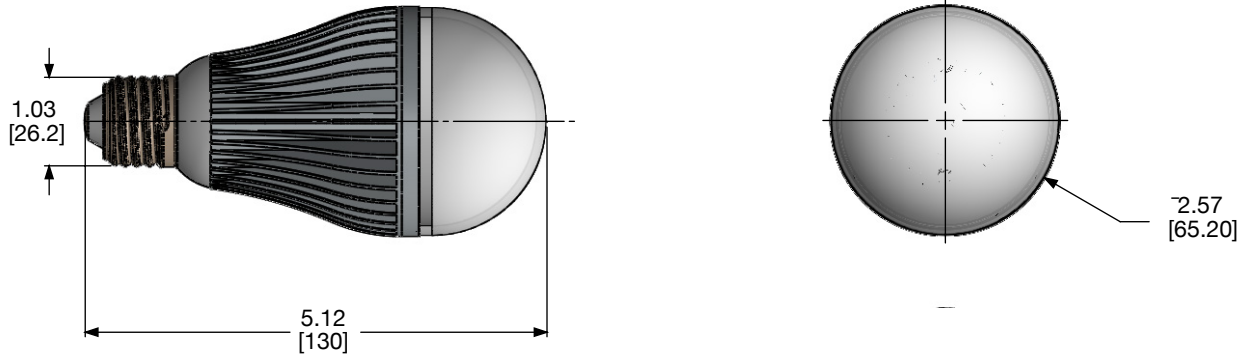
Product Model	SP160604-50K LED AC/DC A21 Lamp 5000K
Type	LED
Base	E26 Medium base
Power (W)	9
Voltage	110-130VAC , 105-280VDC
Color Temp. (ANSI)	Daylight 5000K
CRI (Ra) (typ.)	84
Typical lumens (lm)	980
Efficacy (LPW)	109
Dimmable	No
Power Factor	0.9
Rated Lifetime - L80 (hrs)	50,000
Dia. x MOL	2.57"x5.12" (65.20x130mm)
Operating Temp	-25°C - 50°C

Light Measurements



Product Dimensions

All dimensions are in inches [mm]



Ordering Data

Part Numbers	Watt	Base	Shape	Lens Color	IP Rating	Kelvin
SP160604W-50K	9watt	E26	A21	White	IP61	5000 Kelvin
SP160604-50K	9watt	E26	A21	White	-	5000 Kelvin

Looking for another kelvin temperature or a different lens color? please contact VCC

Compliances and Approvals

