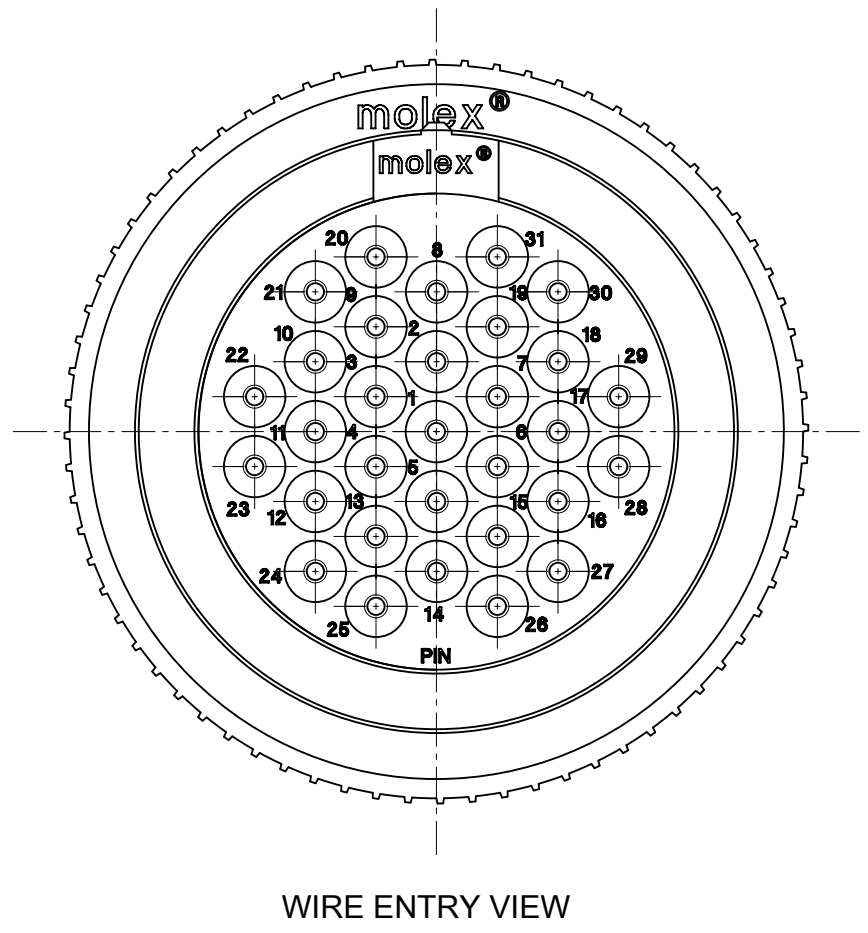
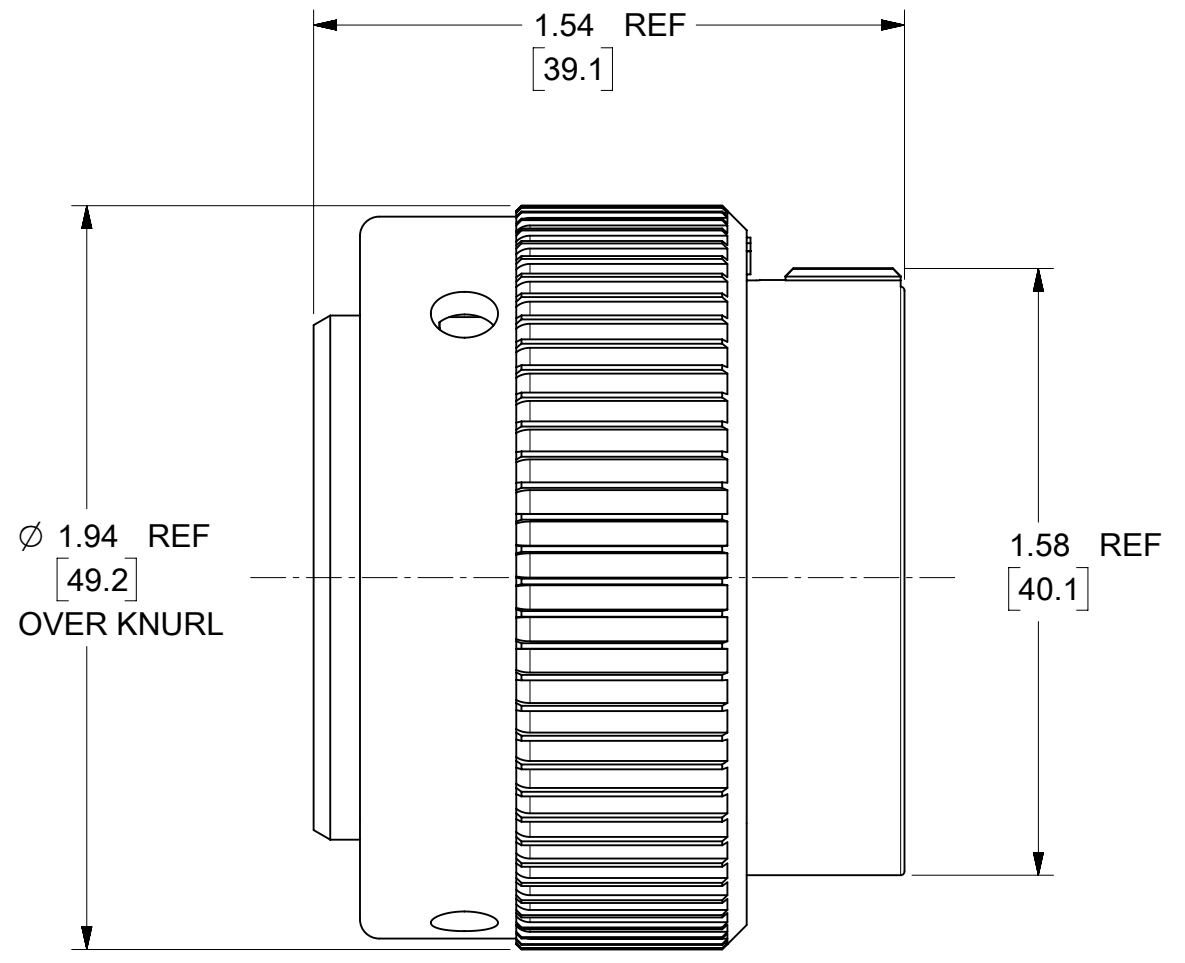
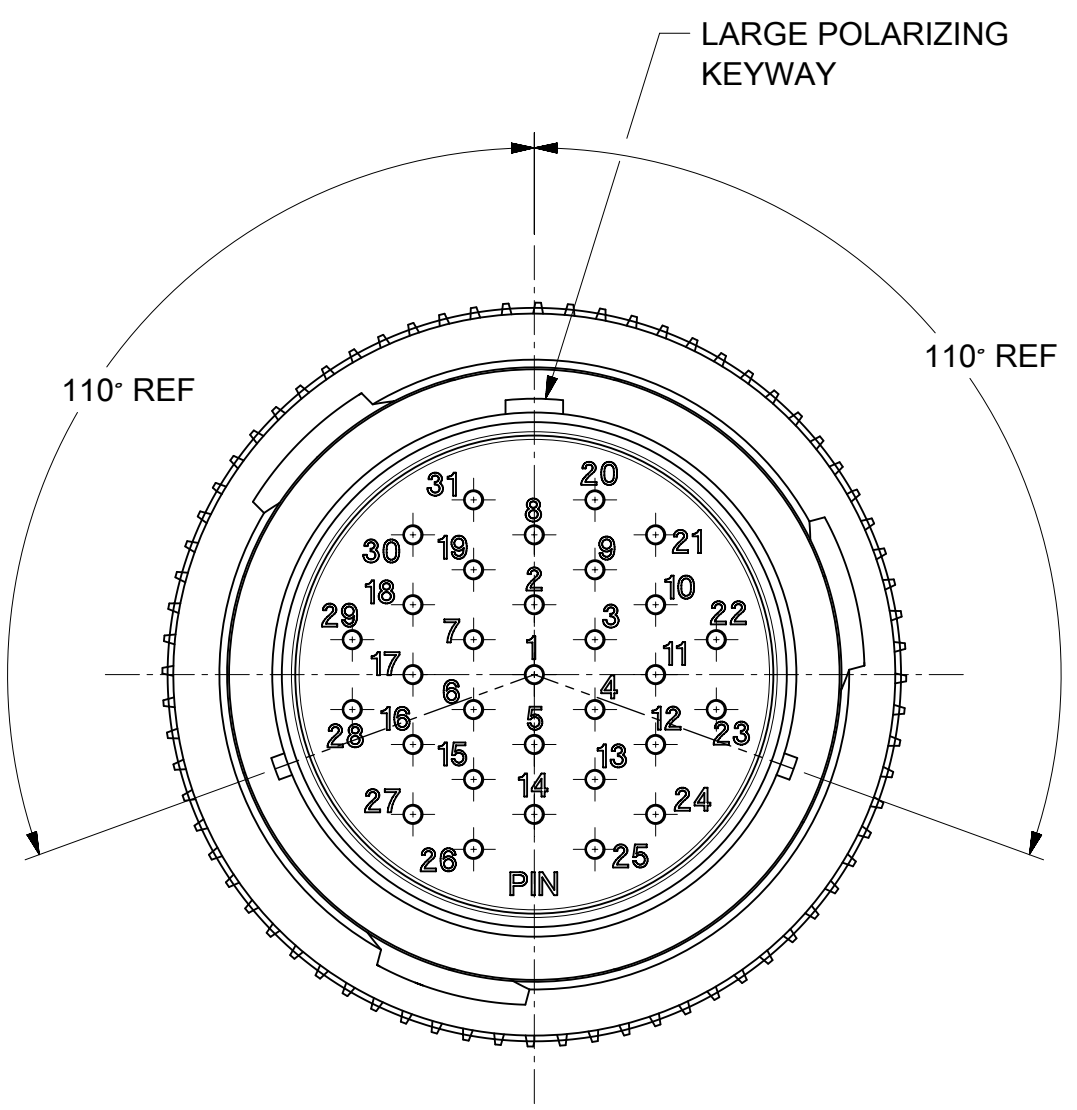
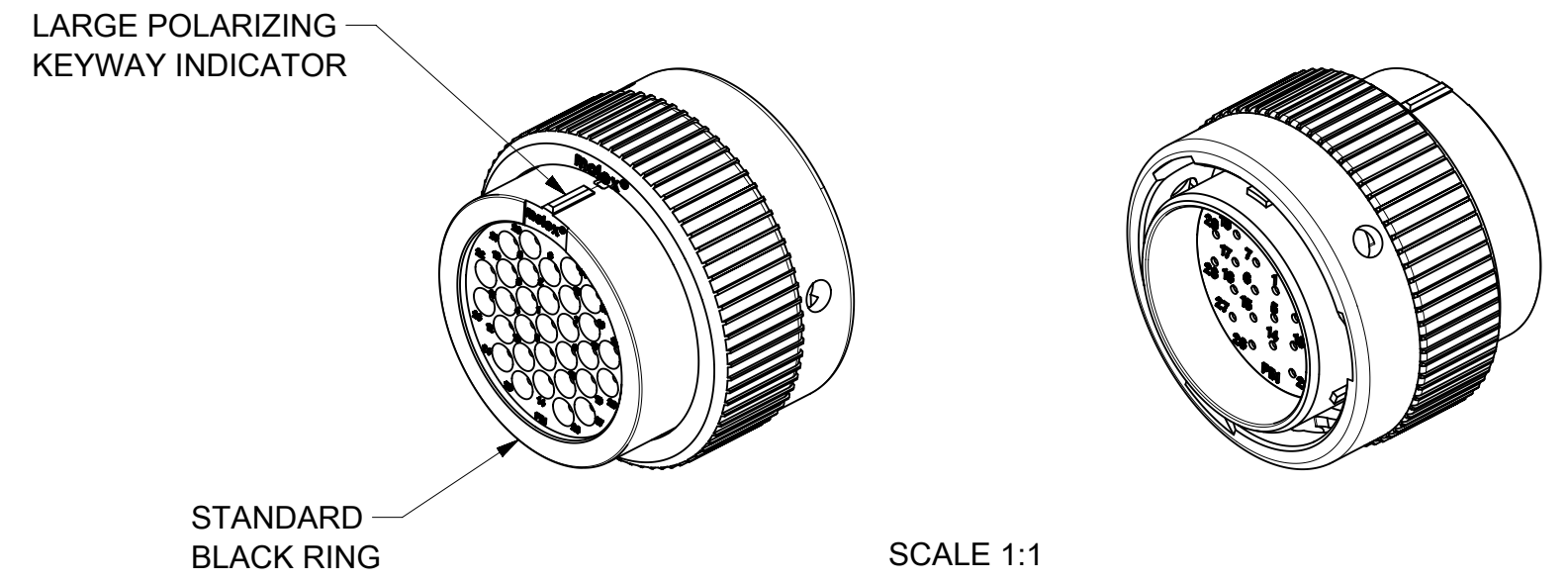


MATERIAL NUMBER	WIRE AWG	INSULATION DIA O.D.	RING
845050001	18 - 14	.053 - .134 [1.35 - 3.40]	STANDARD, BLACK

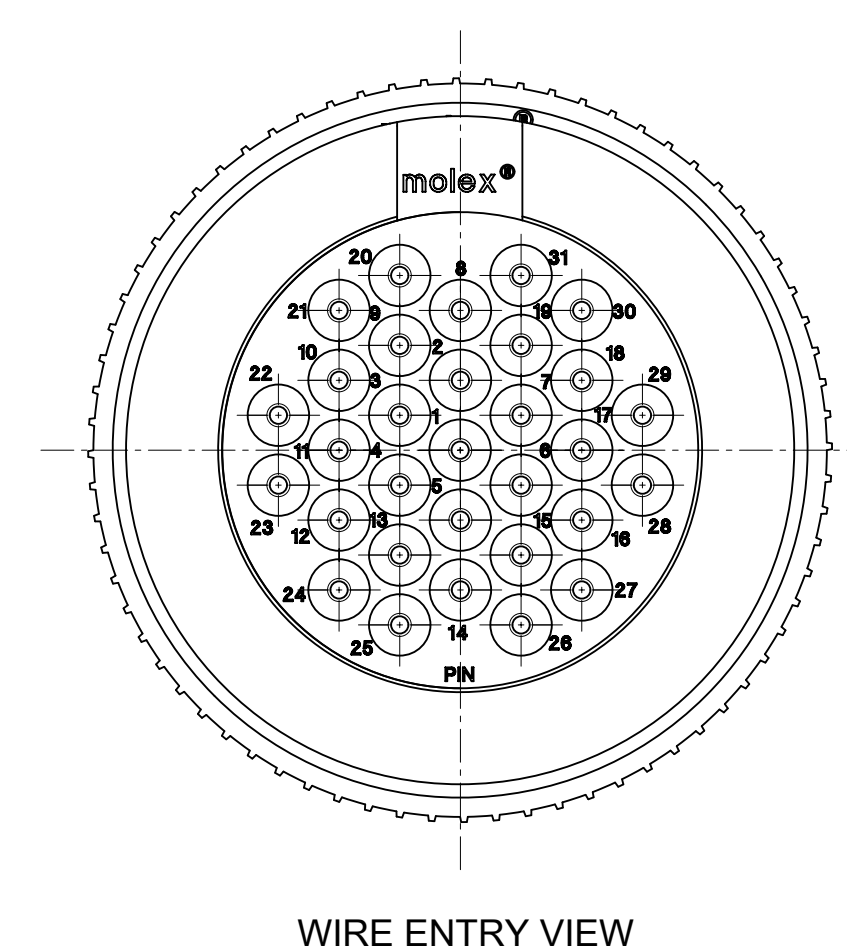
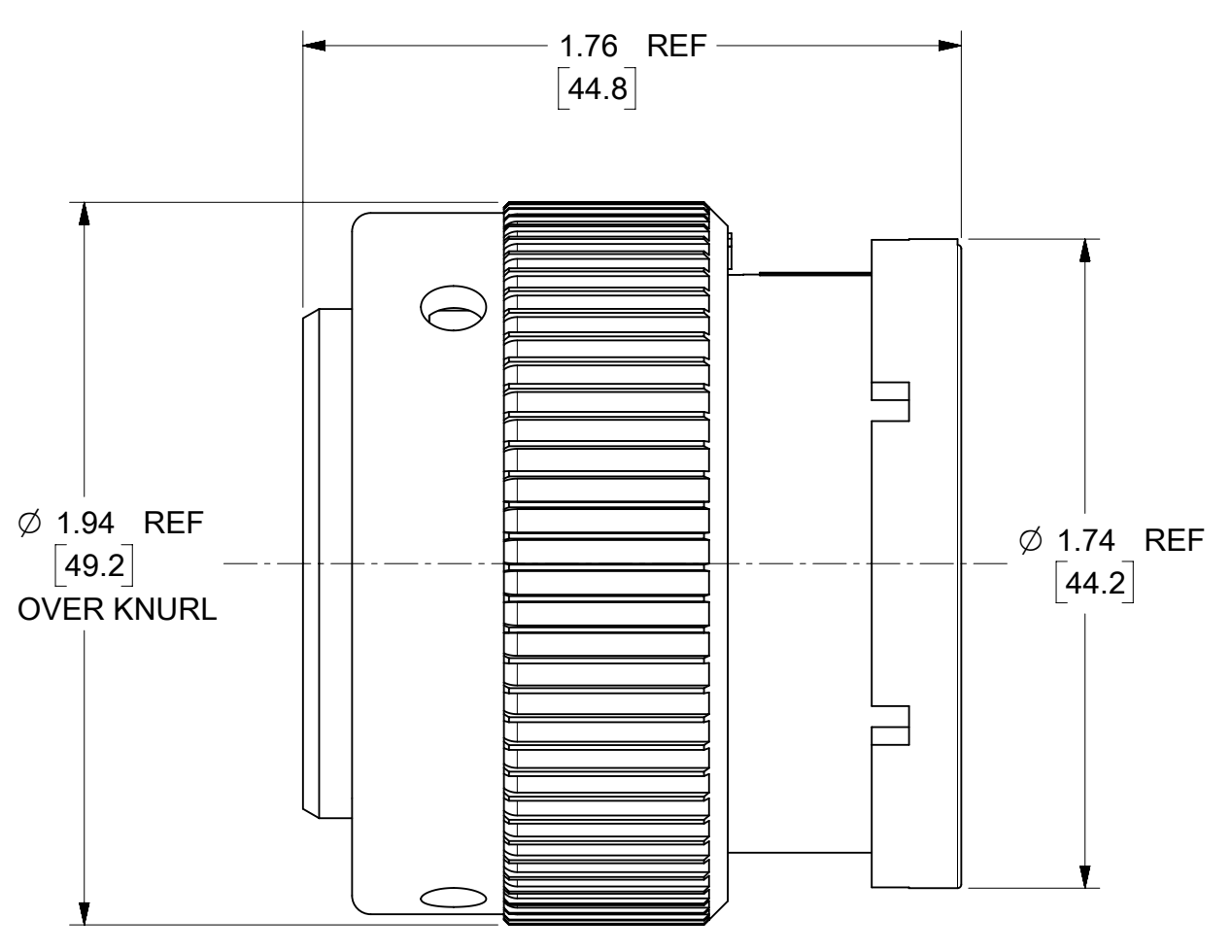
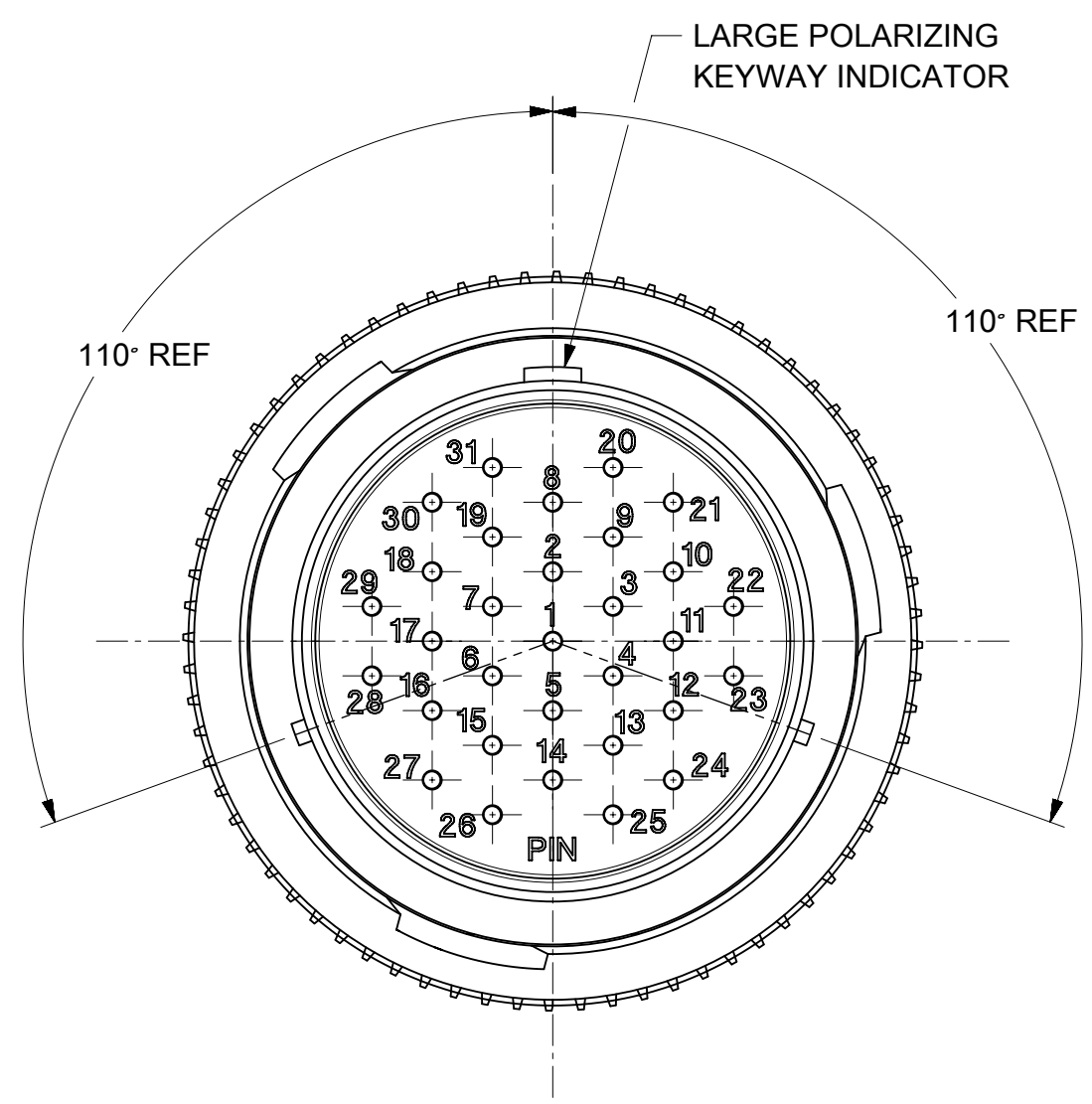
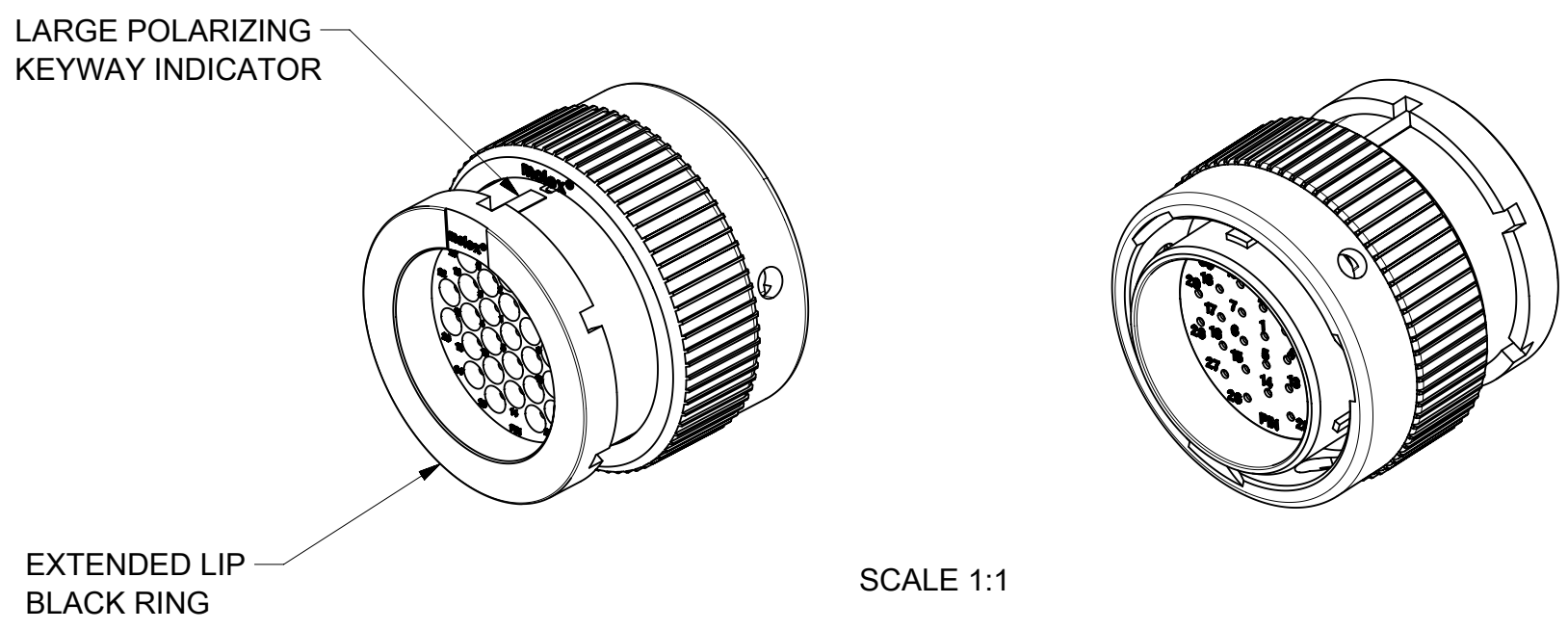


NOTES:

1. USE CONNECTOR WITH MALE CRIMP TERMINAL SERIES 84524.
2. MATES WITH RECEPTACLE CONNECTOR SERIES 84506.
3. ASSEMBLY IS ROHS COMPLIANT.
4. PACKAGED PER PK-84501-001.

QUALITY SYMBOLS 	THIS DRAWING CONTAINS INFORMATION THAT IS PROPRIETARY TO MOLEX ELECTRONIC TECHNOLOGIES, LLC AND SHOULD NOT BE USED WITHOUT WRITTEN PERMISSION										
	CAD MIGRATION EC NO: 122085 DRWN: CRAODOREMS CHKD: SMCGREEVY REV APPR: JDWALLACE	2017/09/01		2017/10/03		2017/10/03		DIMENSION UNITS IN[MM]		SCALE 2:1	
		GENERAL TOLERANCES (UNLESS SPECIFIED)						DRWN BY BRUPERT		DATE 2006/3/21	
		4 PLACES ±		±		±		CHK'D BY JPAWLICKI		DATE 2006/6/6	
		3 PLACES ±		±		±		APPR BY RDEROSS		DATE 2006/6/7	
		2 PLACES ±		±		± 0.015		DRAWING SIZE C		THIRD ANGLE PROJECTION 	
	1 PLACES ±		± 0.38		±		DRAFT WHERE APPLICABLE MUST REMAIN WITHIN DIMENSIONS		DOCUMENT NUMBER SD-84505-001		
	0 PLACES ±		±		±		SERIES 84505		MATERIAL NUMBER 845050001		
	ANGULAR TOL = 2.0						CUSTOMER GENERAL MARKET		SHEET NUMBER 1 OF 2		
	RELEASE STATUS P1		RELEASE DATE 03.10.2017		14:46:18		DOC TYPE PSD		DOC PART 001		

MATERIAL NUMBER	WIRE AWG	INSULATION DIA O.D.	RING
845050003	18 - 14	.053 - .134 [1.35 - 3.40]	EXTENDED LIP, BLACK



- NOTES:
1. USE CONNECTOR WITH MALE CRIMP TERMINAL SERIES 84524.
 2. MATES WITH RECEPTACLE CONNECTOR SERIES 84506.
 3. USE CONNECTOR WITH STRAIN RELIEF BACKSHELL, MOLEX MATERIAL NO. 845370003.
 4. ASSEMBLY IS ROHS COMPLIANT.
 5. PACKAGED PER PK-84501-001.

QUALITY SYMBOLS	THIS DRAWING CONTAINS INFORMATION THAT IS PROPRIETARY TO MOLEX ELECTRONIC TECHNOLOGIES, LLC AND SHOULD NOT BE USED WITHOUT WRITTEN PERMISSION				
	GENERAL TOLERANCES (UNLESS SPECIFIED)		DIMENSION UNITS	SCALE	
▽ = 0	MM INCH		IN[MM]	2:1	
▽ = 0	4 PLACES ± ±		DRWN BY	DATE	
▽ = 0	3 PLACES ± ±		BRUPERT	2006/3/21	
▽ = 0	2 PLACES ± ± 0.015		CHK'D BY	DATE	
▽ = 0	1 PLACES ± 0.38 ±		JPAWLICKI	2006/6/6	
▽ = 0	0 PLACES ± ±		APPR BY	DATE	
▽ = 0	ANGULAR TOL = 2.0		RDEROSS	2006/6/7	
▽ = 0	DRAFT WHERE APPLICABLE MUST REMAIN WITHIN DIMENSIONS		DRAWING SIZE	THIRD ANGLE PROJECTION	
▽ = 0	C1		C		
CAD MIGRATION		EC NO: 122085		SERIES	
2017/09/01		DRWN: CRAODOREMS		84505	
2017/10/03		CHKD: SMCGRVEY		MATERIAL NUMBER	
2017/10/03		REV / APPR: JDWALLACE		845050003	
				CUSTOMER	
				GENERAL MARKET	
				DOCUMENT NUMBER	
				SD-84505-001	
				DOC TYPE	
				PSD	
				DOC PART	
				001	
				SHEET NUMBER	
				2 OF 2	