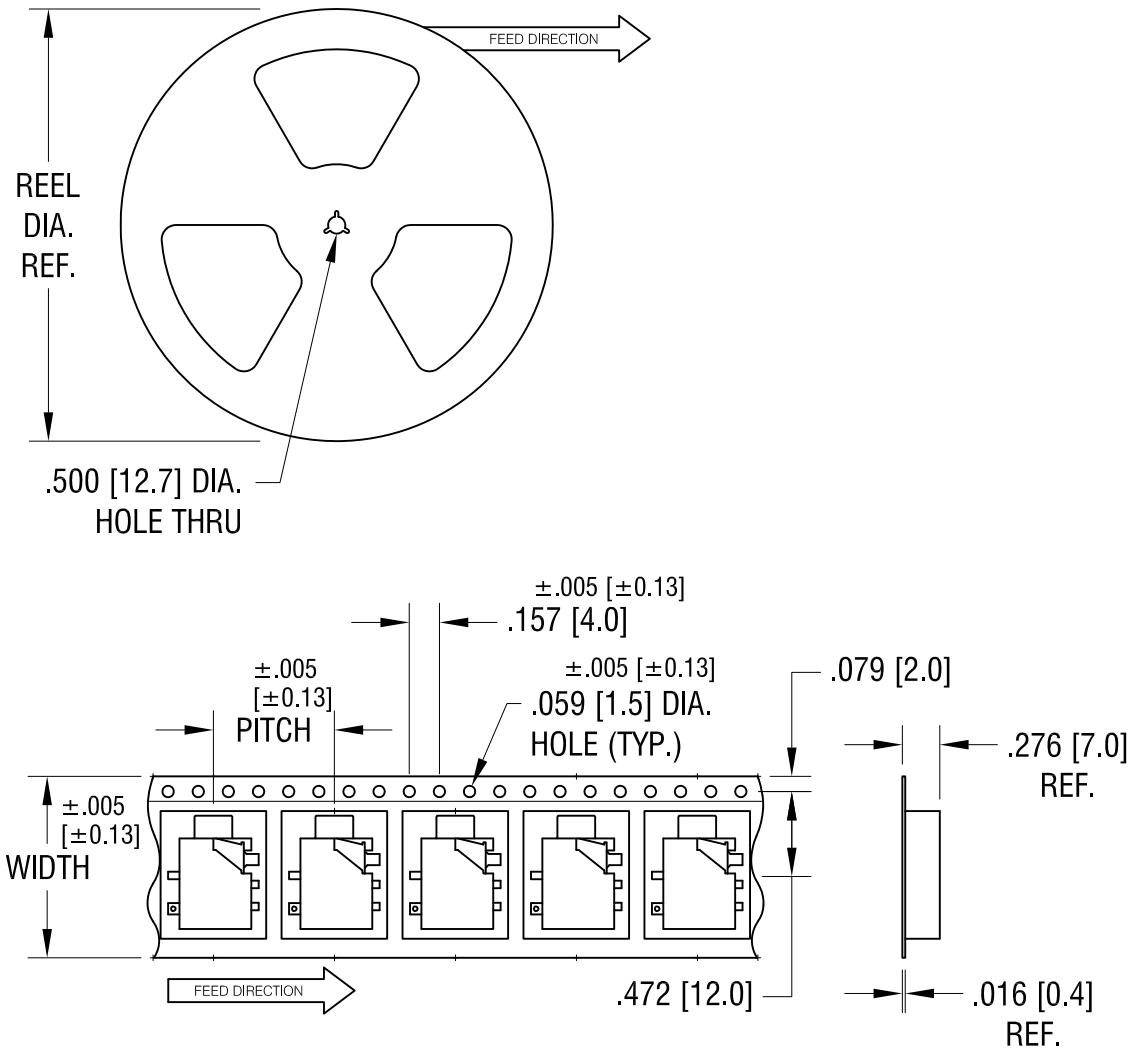


THIS DOCUMENT IS THE PROPERTY OF KEYSTONE ELECTRONICS CORP. AND SHALL NOT BE REPRODUCED, DISTRIBUTED OR USED AS A BASIS FOR MANUFACTURE WITHOUT PRIOR WRITTEN PERMISSION FROM KEYSTONE ELECTRONICS CORP.



NOTES:

TAPE AND REEL SPECIFICATIONS:

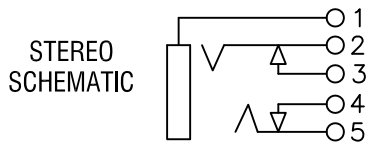
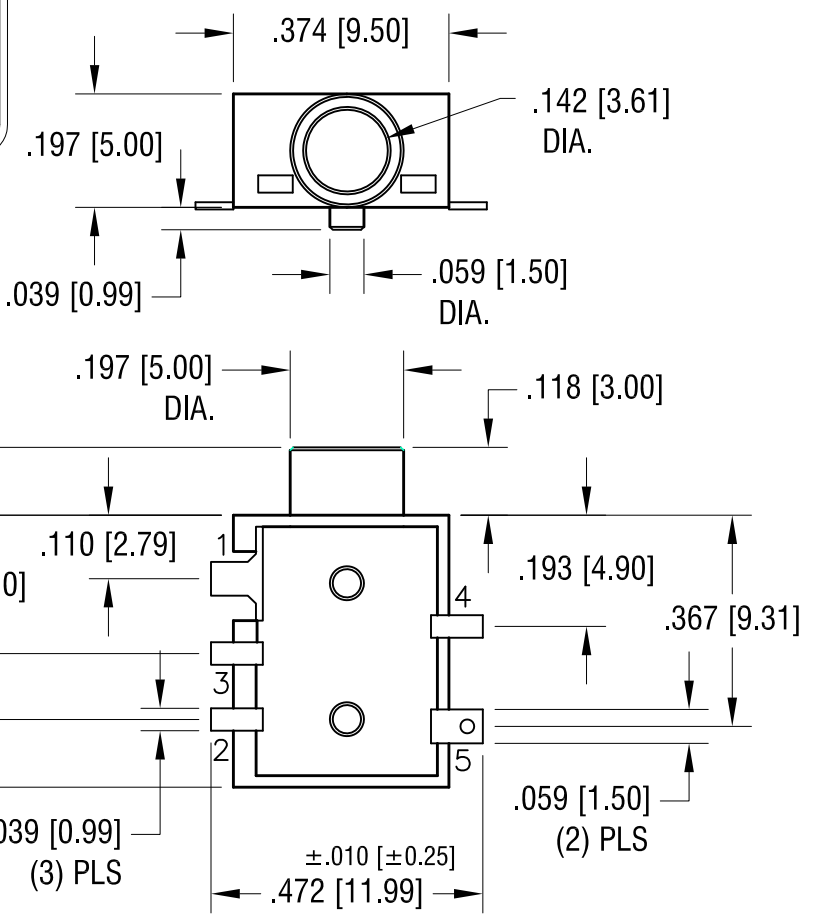
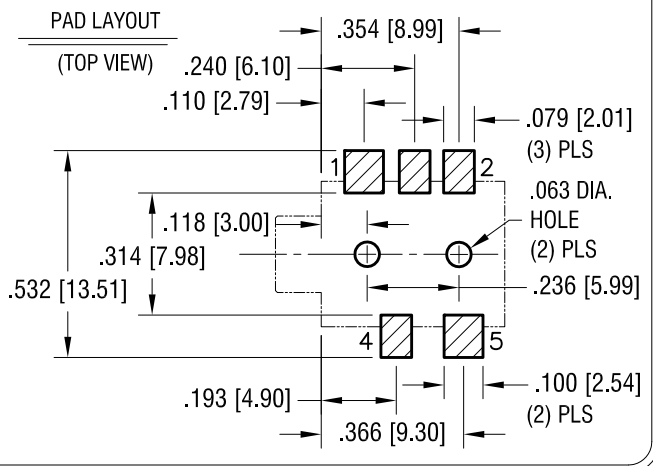
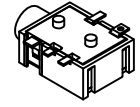
1. TAPE:
 MAT'L - ALL CONDUCTIVE POLYSTYRENE CARRIER
 ANSI/EIA-481 STANDARD
 .945 [24.0] WIDE; .630 [16.0] PITCH
2. REEL:
 15.0 [381.0] DIA. 800 PIECES OF
 PART NO. 981 PER REEL.

KEYSTONE ELECTRONICS CORP.			
www.keyelco.com • ASTORIA, N.Y. 11105-2017 • Tel (718) 956-8900			
PART NAME			
3.5mm SM STEREO JACK ON TAPE			
MATERIAL			
AS NOTED			
FINISH		DRN BY	DATE
AS NOTED		BOONE	2.28.00
		APP'D	SCALE
		LN	X
TOLERANCES	INCH [MM]	CODE	DWG NO.
DECIMAL	± .015 [± 0.38]	C	981TR
ANGULAR	± 1°		
UNLESS OTHERWISE SPECIFIED			

10.17.06	CHANGE AS PER ECN 06-066	A
DATE	DESCRIPTION	REV.

THIS DOCUMENT IS THE PROPERTY OF KEYSTONE ELECTRONICS CORP. AND SHALL NOT BE REPRODUCED, DISTRIBUTED OR USED AS A BASIS FOR MANUFACTURE WITHOUT PRIOR WRITTEN PERMISSION FROM KEYSTONE ELECTRONICS CORP.

ACTUAL SIZE



- NOTES:
- MAT'L:
HOUSING: MAT'L- LCP, UL 94V-0
GROUND TERMINAL: .012 [0.3] TH'K BRASS ①
SPRING CONTACTS: .008 [0.2] TH'K PHOSPHOR BRONZE ② ⑤
SHUNT TERMINALS: .012 [0.3] TH'K BRASS ③ ④
 - TAPE SPECIFICATIONS:
MAT'L - ALL CONDUCTIVE POLYSTYRENE CARRIER
ANSI/EIA-481 STANDARD
24MM (.945) WIDE; 16MM (.630) PITCH
 - REEL SPECIFICATION:
15 INCH DIA. 800 PIECES

HOUSING WAS POLYAMIDE
CHANGE AS PER ECN 13-041

KEYSTONE ELECTRONICS CORP.			
www.keyelco.com • ASTORIA, N.Y. 11105-2017 • Tel (718) 956-8900			
PART NAME 3.5mm SURFACE MOUNT STEREO JACK			
MATERIAL AS NOTED			
FINISH GOLD FLASH		DRN BY BOONE	DATE 5.14.99
		APP'D LN	SCALE 3X
TOLERANCES	INCH [MM]	CODE	DWG NO.
DECIMAL	± .005 [± 0.13]	C	
ANGULAR	± 1°		
UNLESS OTHERWISE SPECIFIED			
			981

5.20.13	A	
DATE	REV.	DESCRIPTION