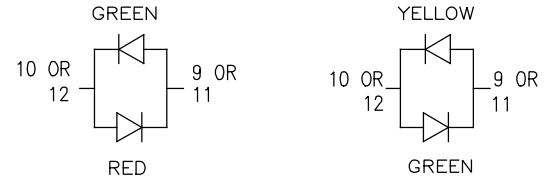
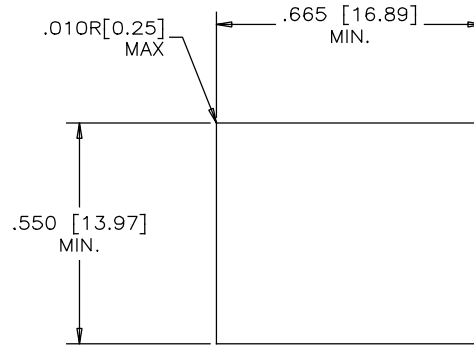
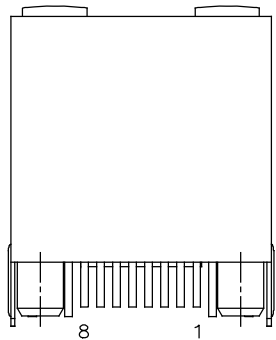


REVISIONS			
REV	DESCRIPTION, ECN, EAR NO.	DATE	APP'D
C	PROPOSAL DRAWING	NOV 16/15	L.CHAN
D	PROPOSAL DRAWING	NOV 27/17	L.CHAN

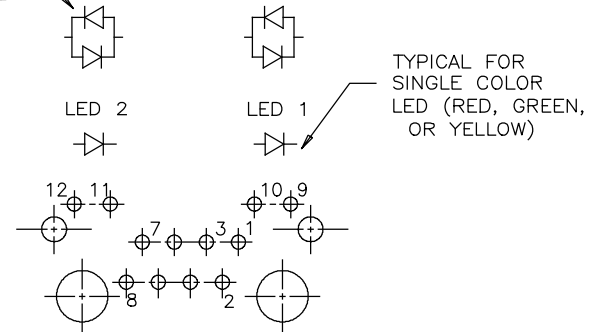


**BI-COLOUR LED DETAIL**  
(RED/YELLOW AND GREEN/ORANGE LED'S ARE ALSO AVAILABLE)



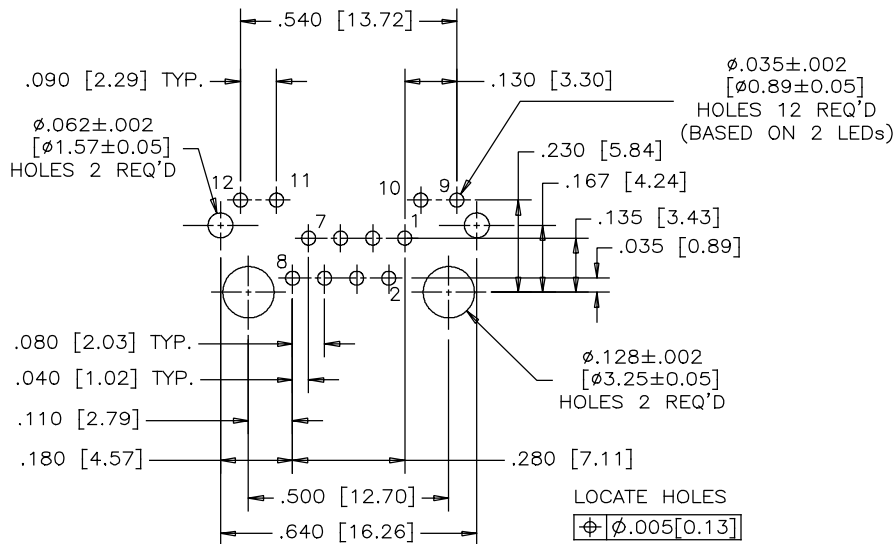
**RECOMMENDED PANEL CUTOUT**

TYPICAL FOR BI-COLOUR LED



**LED SCHEMATIC**

TYPICAL FOR SINGLE COLOR LED (RED, GREEN, OR YELLOW)



**RECOMMENDED P.C.B. LAYOUT**  
(COMPONENT SIDE OF BOARD)

LOCATE HOLES  
 $\phi 0.005 [0.13]$   
POSITION DIMENSIONS ARE BASIC

**MATERIALS:**

PLASTIC HOUSING: HIGH TEMPERATURE THERMOPLASTIC  
FLAMMABILITY RATING UL 94V-0 COLOR: BLACK.

CONTACTS: PHOSPHOR BRONZE  
(FLAT) PLATING: 50  $\mu$ " [1.27 MICRONS] MIN. GOLD ON MATING SURFACES.  
50  $\mu$ " [1.27 MICRONS] MIN. NICKEL UNDERPLATE  
100  $\mu$ " [2.54 MICRONS] MIN. MATTE TIN ON CONTACT TAILS.

SHIELD: STAINLESS STEEL WITH TIN DIPPED ON PCB TAILS.

RECOMMENDED SOLDERING TEMPERATURE:  
WAVE SOLDERING TEMPERATURE AT 260°C MAXIMUM FOR 5 SEC MAXIMUM.

AMPHENOL PART NUMBER: RJHSE-N38X

REFER TO LED OPTIONS DRAWING FOR ORDERING CODES

UNLESS SPECIFIED OTHERWISE		DRAWN PAULW	DATE JUL04/06	<b>Amphenol Canada Corp.</b> www.amphenolcanada.com
PRIMARY UNITS INCH	CHECKED CHIGOW		JUL04/06	
SECONDARY MILLIMETER	M.E. APP'D			TITLE
REFERENCE IN PARENTHESSES	Q.A. APP'D			SINGLE-PORT HIGH SPEED MODULAR JACK, VERTICAL MOUNT, BLACK HOUSING, 8 POSITIONS, 8 FLAT CONTACTS, WITH LED OPTIONS, SHIELDED, WITHOUT FLANGE - RoHS COMPLIANT
GENERAL TOLERANCES	DWG APPR.			DWG. NO.
1 DECIMAL PLACE $\pm 0.025$	ENG. REL. NO.			P-RJHSE-N38X
2 DECIMAL PLACES $\pm 0.020$	REF.			REV D
3 DECIMAL PLACES $\pm 0.015$	THIRD ANGLE PROJECTION			DO NOT SCALE DRAWING
ANGULAR DEGREES $\pm 1.0^\circ$				CODE ID NO. 03554   DWG SIZE: C   SCALE: N/A   SHEET 1 OF 1