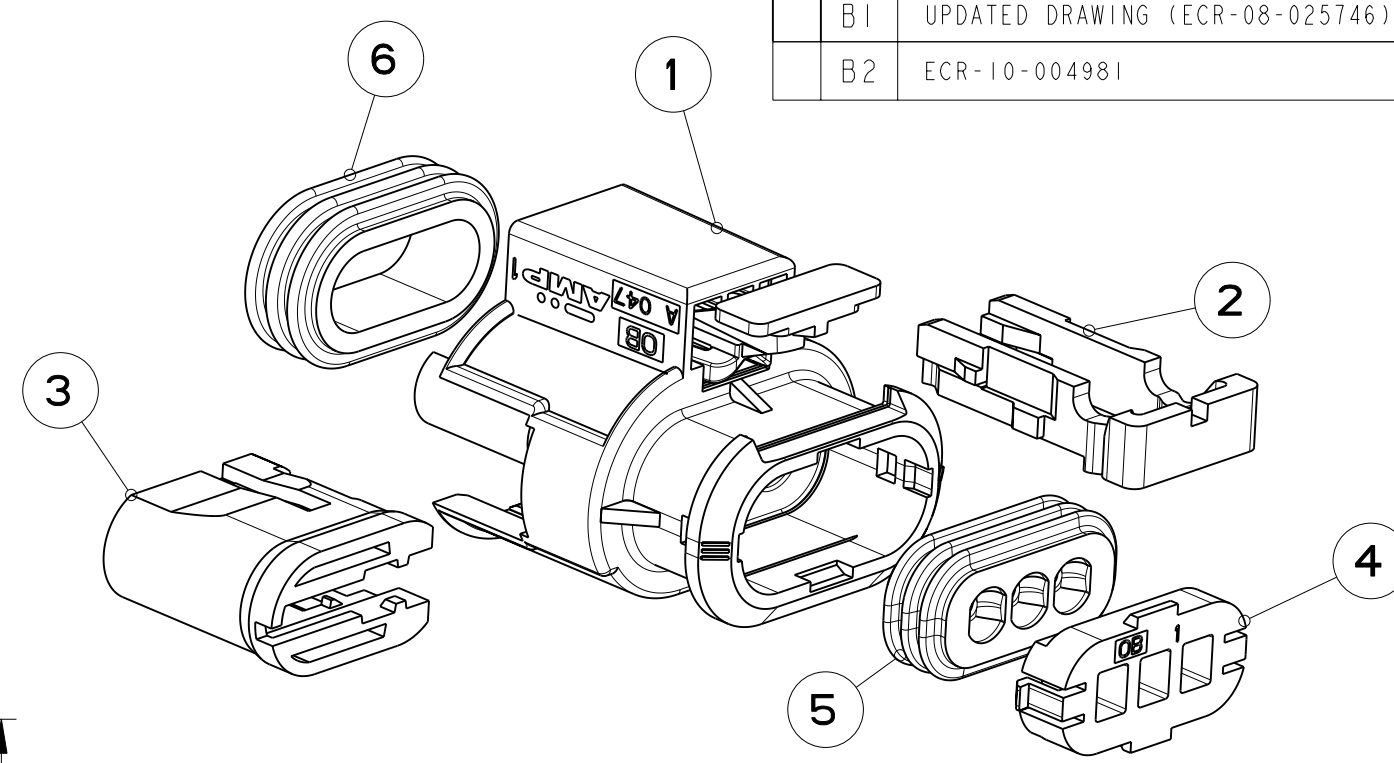
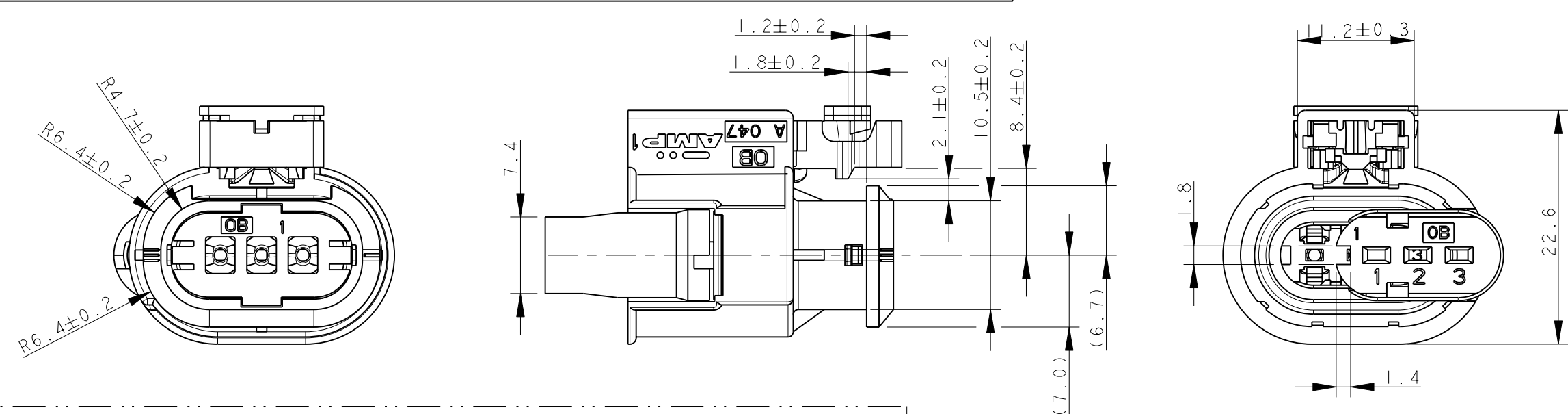


THIS DRAWING IS UNPUBLISHED. RELEASED FOR PUBLICATION 2009  
 © COPYRIGHT 2009 BY TYCO ELECTRONICS CORPORATION. ALL INTERNATIONAL RIGHTS RESERVED.

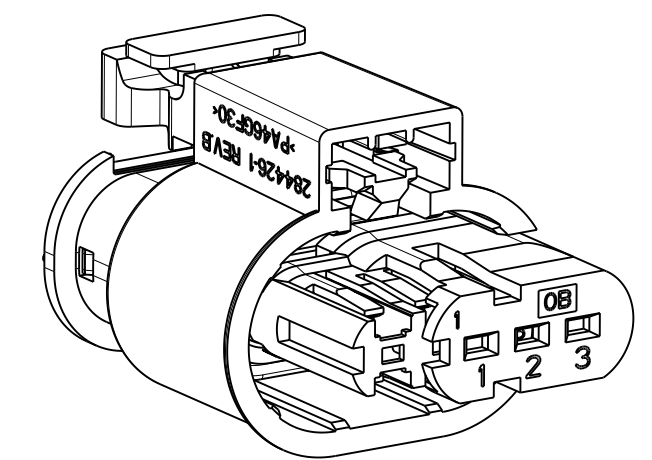
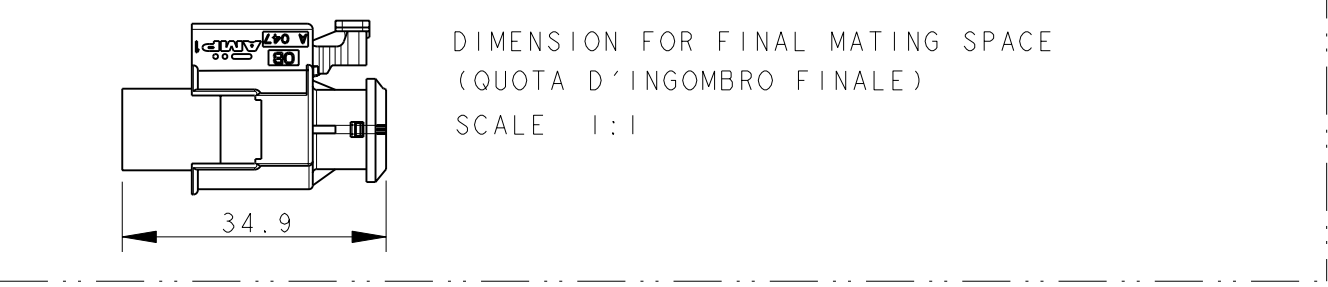
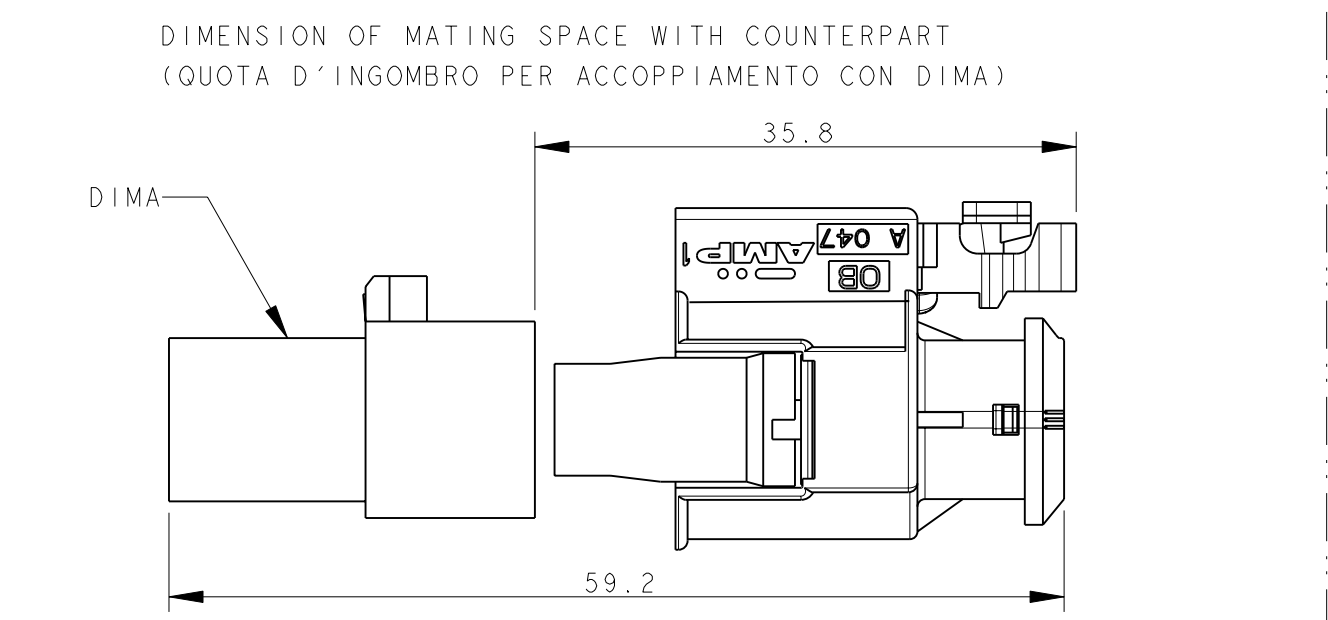
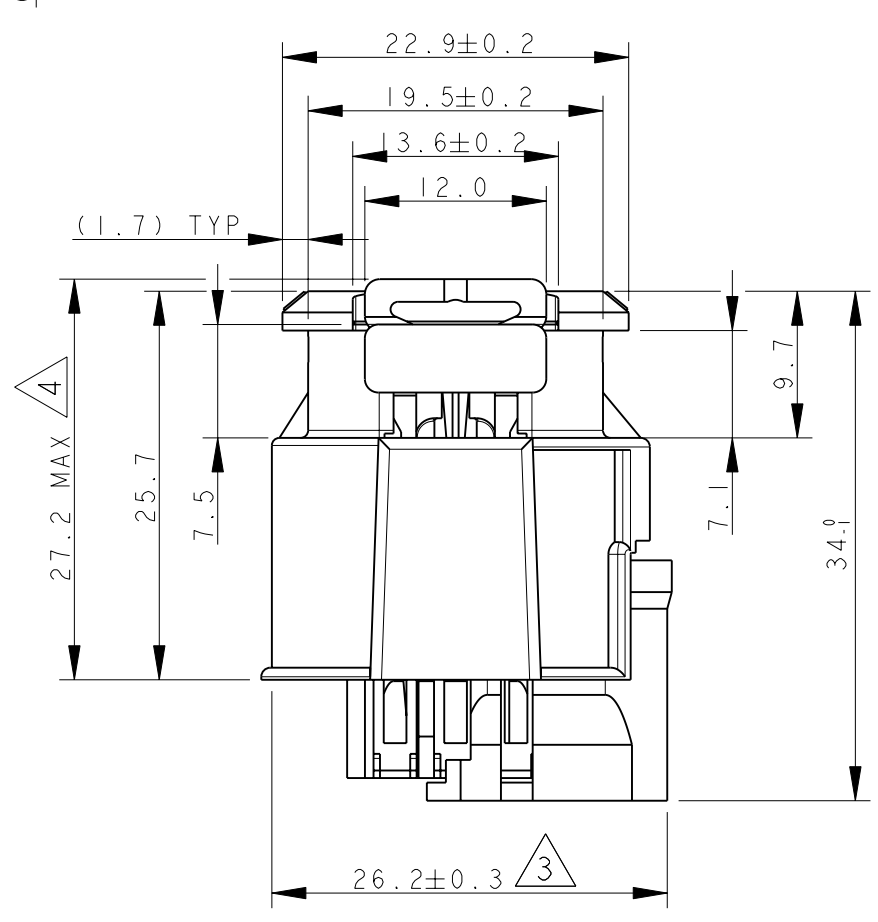
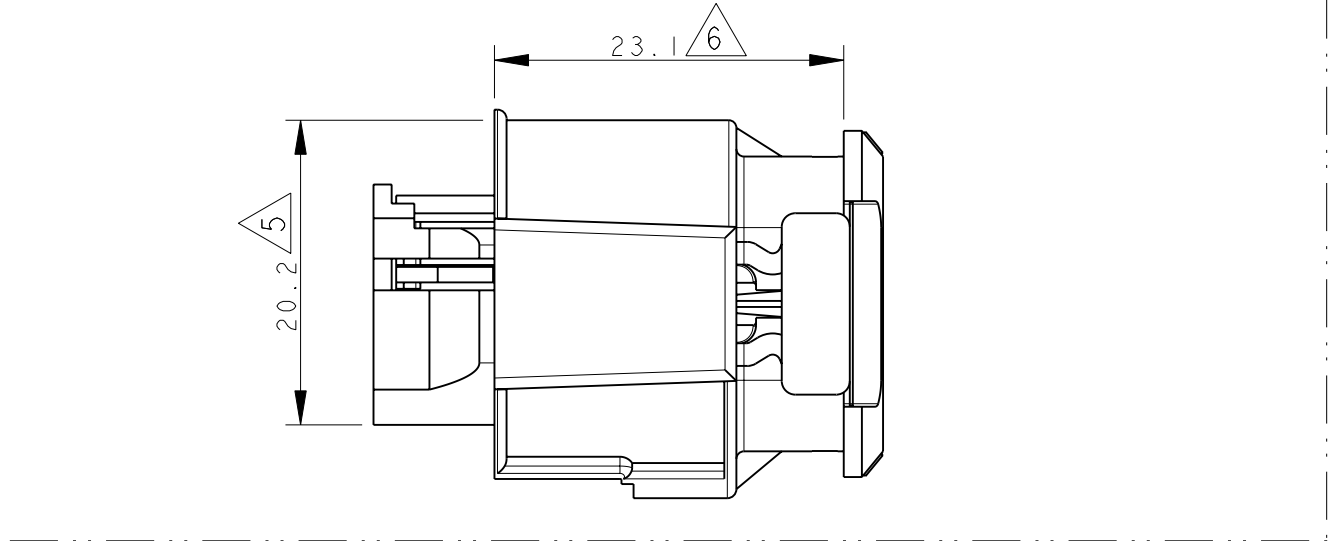
REVISIONS					
P	LTR	DESCRIPTION	DATE	DWN	APVD
A4		RELEASED FOR PROD. (ET00-0234-01)	27NOV2001	M.P.	O.C.
A5		UPDATED GRAPHIC (ET00-0193-02)	27SEP2002	M.P.	O.C.
B		ADDED LATERAL WALL (ET00-0188-04)	17SEP2004	C.P.	A.G.
B1		UPDATED DRAWING (ECR-08-025746)	19NOV2008	M.P.	M.G.
B2		ECR-10-004981	05MAR2010	M.G.	M.G.



ITEM	DESCRIPTION	MATERIAL	COLOUR	Q.TY
1	HOUSING (BLOCCETTO PORTACONTATTI)	PA 4.6 GF	SEE POLARIZATION KEYS TABLE (VEDI TABELLA CHIAVI POLARIZZAZIONE)	1
2	CPA-CONNECTOR POSITION ASSURANCE (DISPOSITIVO CORRETTO ACCOPPIAMENTO)	PBT GF	YELLOW (GIALLO)	1
3	SECONDARY LOCK (DISPOSITIVO AGGANCIO SECONDARIO)	PBT GF	RED (ROSSO)	1
4	POLARIZATOR (COPERCHIO POLARIZZATORE)	PBT GF	BLACK (NERO)	1
5	FAMILY SEAL (GUARNIZIONE MULTIPLA)	LSR	REDDISH BROWN (ROSSO MATTONE)	1
6	PERIPHERAL SEAL (GUARNIZIONE PERIFERICA)	LSR	REDDISH BROWN (ROSSO MATTONE)	1

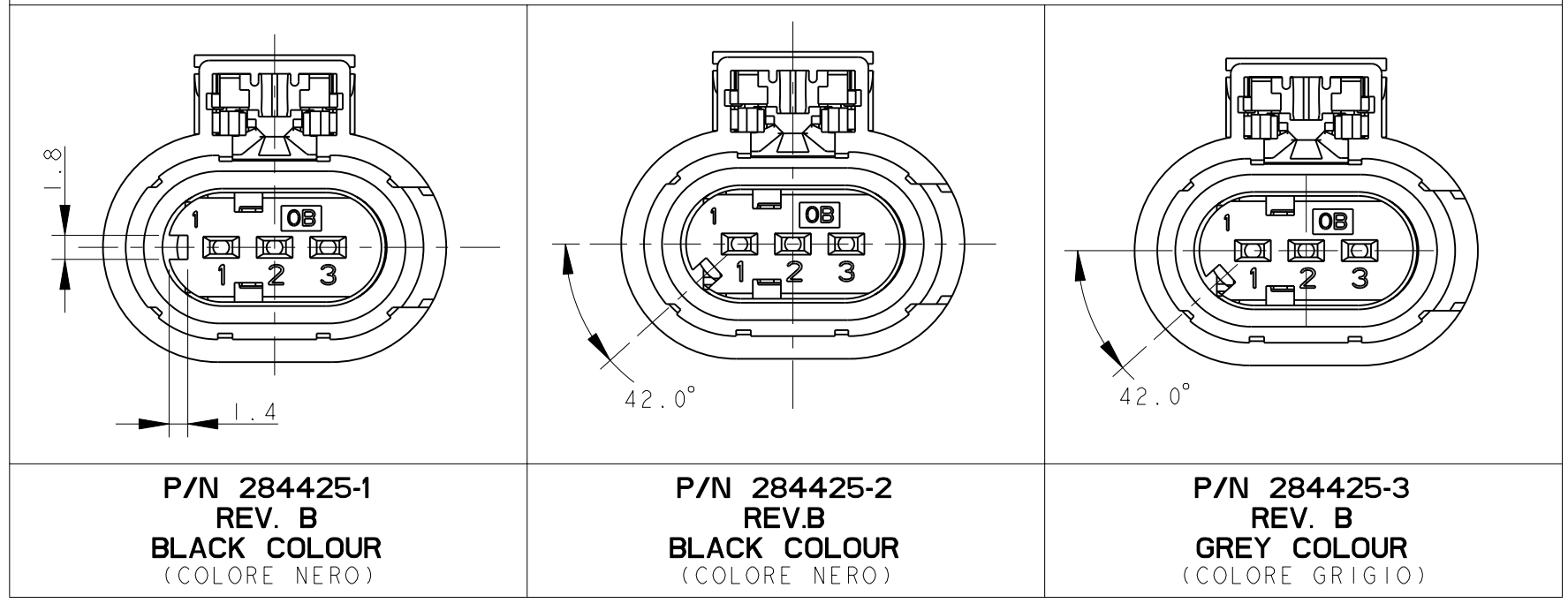
1) ALL CAVITIES ARE SUITABLE TO INSERT RECEPTACLE CONTACTS:  
 SENSOR FLAT CONTACT P.N. 929025-1, WIRE RANGE FROM 1.5 TO 2.0 mm<sup>2</sup>  
 SENSOR FLAT CONTACT P.N. 929027-1, WIRE RANGE FROM 0.75 TO 1.0 mm<sup>2</sup>  
 BOTH CONTACTS ARE GOLD PLATED IN CONTACT AREA  
 FOR MINIMUM ACCEPTABLE CABLE INSULATION DIAMETER SEE SEALING PERFORMANCES  
 SECTION ON PRODUCT SPECIFICATION N. 108-20207.  
 SEE APPLICATION SPEC. N. 114-18254 FOR CORRECT WIRE CRIMP PARAMETER  
 (LE CAVITA' SONO ADATTE PER INSERIRE CONTATTI):  
 SENSOR FLAT CONTACT P.N. 929025-1, RANGO FILO DA 1.5 A 2.0 mm<sup>2</sup>  
 SENSOR FLAT CONTACT P.N. 929027-1, RANGO FILO DA 0.75 A 1.0 mm<sup>2</sup>  
 ENTRAMBI I CONTATTI SONO DORATI NELLA ZONA DI CONTATTO  
 PER IL MINIMO DIAMETRO ACCETTABILE DELL'ISOLANTE VEDI PARAGRAFO 'SEALING PERFORMANCES'  
 SU SPECIFICA DI PRODOTTO N. 108-20207.  
 VEDI SPECIFICA DI APPLICAZIONE N. 114-18254 PER LA CORRETTA AGGRAFFATURA DEL CAVO)

- 2) FOR COUNTERPART INTERFACE DRAWING SEE SHEET 2 OF 2  
 (PER IL DISEGNO D'INTERFACCIA DELLA CONTROPARTE VEDI FOGLIO 2 DI 2)
- 3 SECONDARY LOCK PRE-ASSEMBLED POSITION (POSIZIONE PRE-ASSEMBLATA DELL'AGGANCIO SECONDARIO)
  - 4 CPA PRE-ASSEMBLED POSITION (CPA IN POSIZIONE PRE-ASSEMBLATA)
  - 5 SECONDARY LOCK IN PROPER POSITION FOR MATING WITH COUNTERPART (AGGANCIO SECONDARIO IN POSIZIONE CORRETTA PER CONNESSIONE CON CONTROPARTE)
  - 6 CPA IN CLOSED POSITION, WHEN THE CONNECTOR IS PROPERLY MATED WITH COUNTERPART (CPA IN POSIZIONE CHIUSA QUANDO IL CONNETTORE E' CORRETTAMENTE ACCOPPIATO CON CONTROPARTE)



P/N 284425-1 AS SHOWN  
 (P/N 284425-1 COME MOSTRATO)

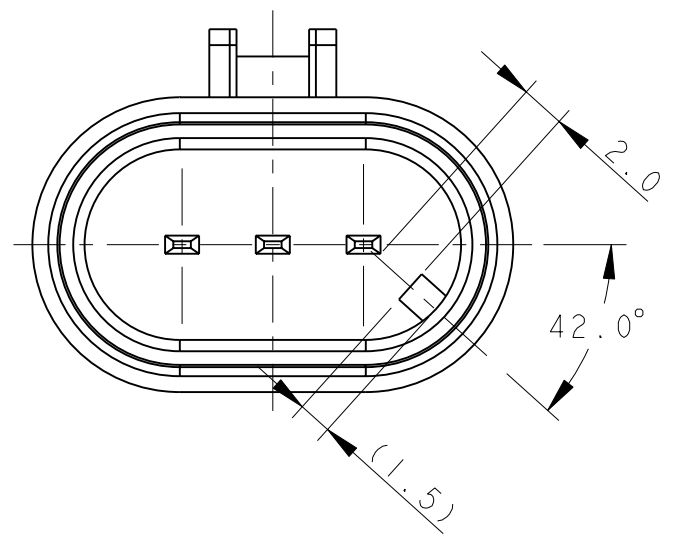
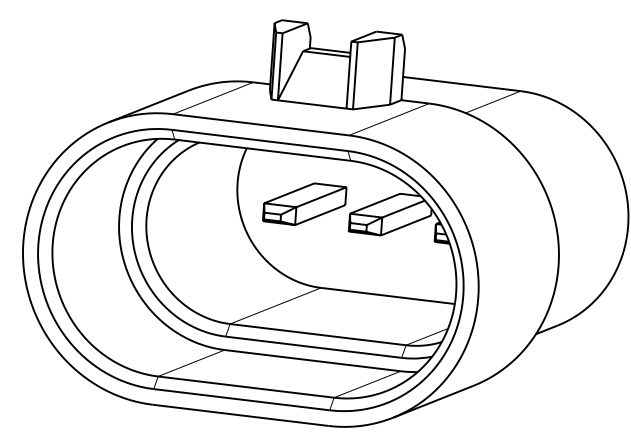
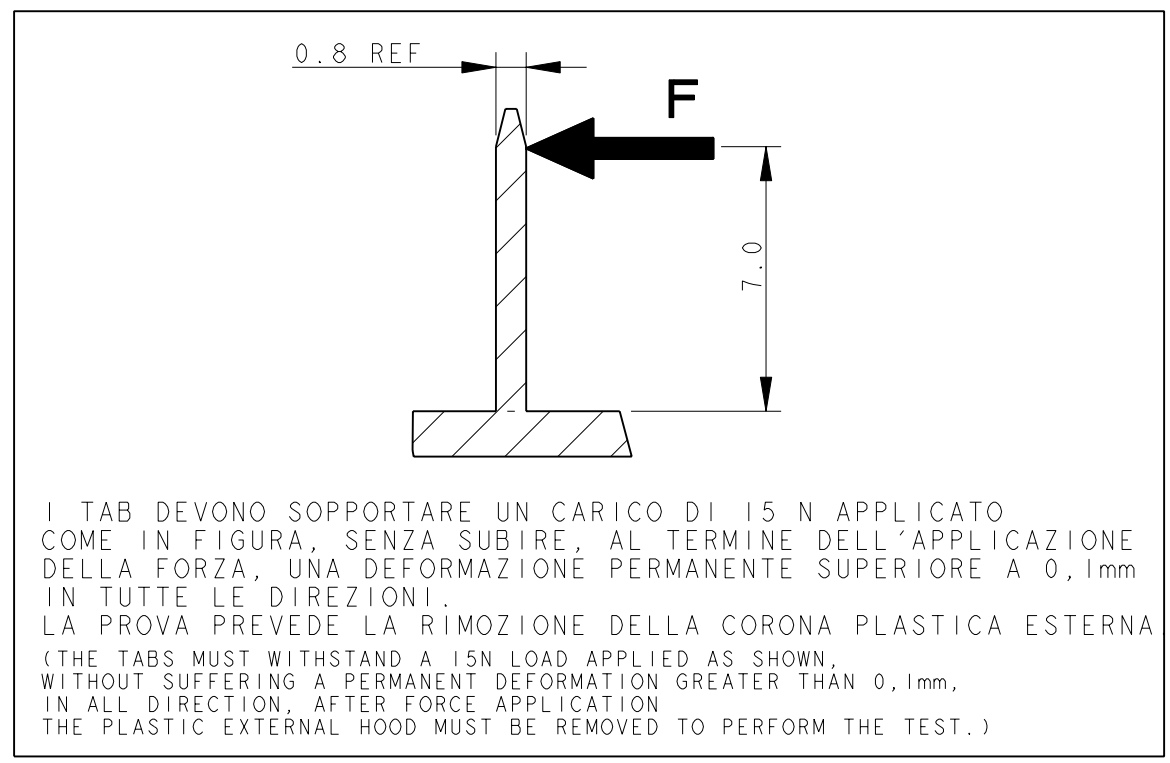
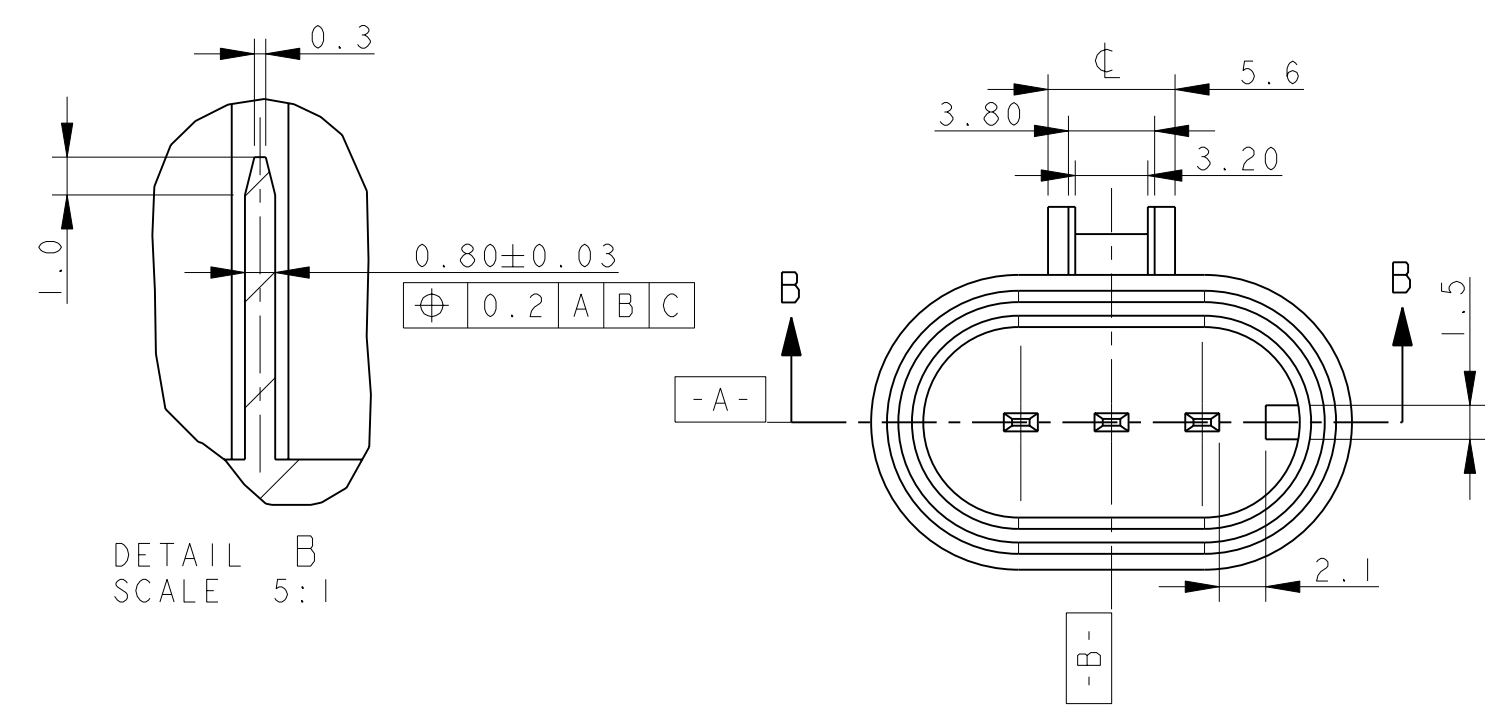
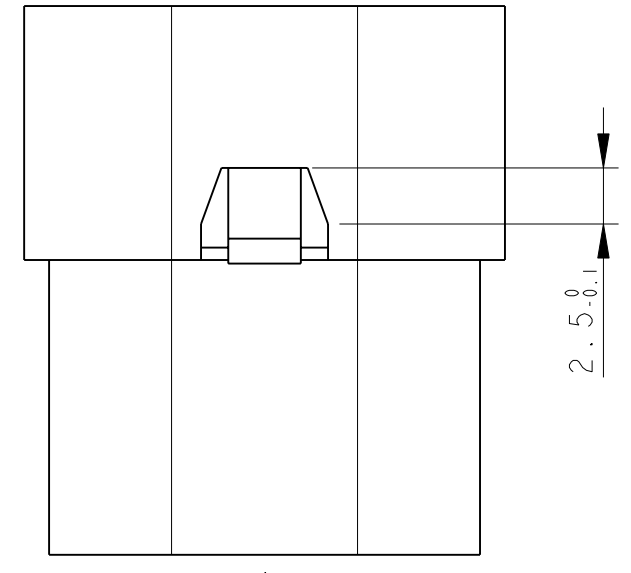
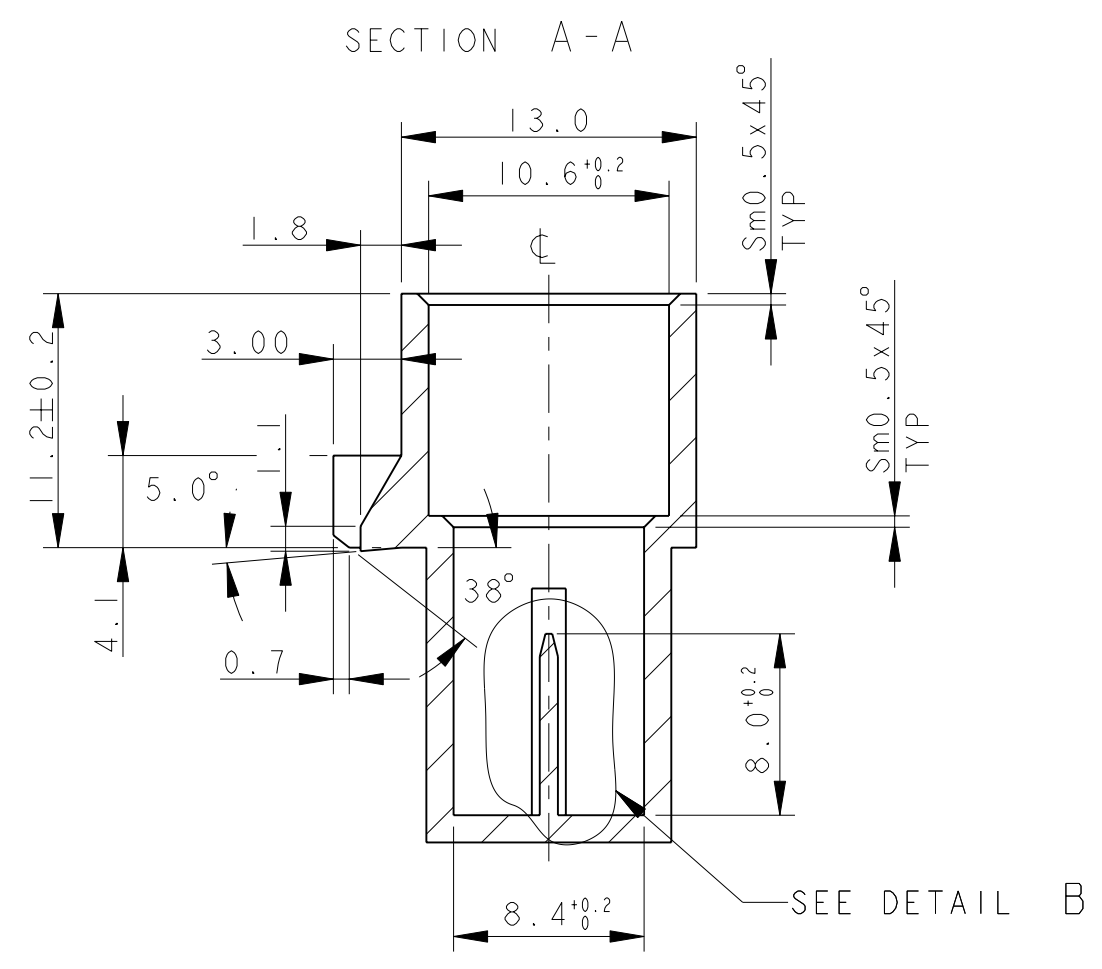
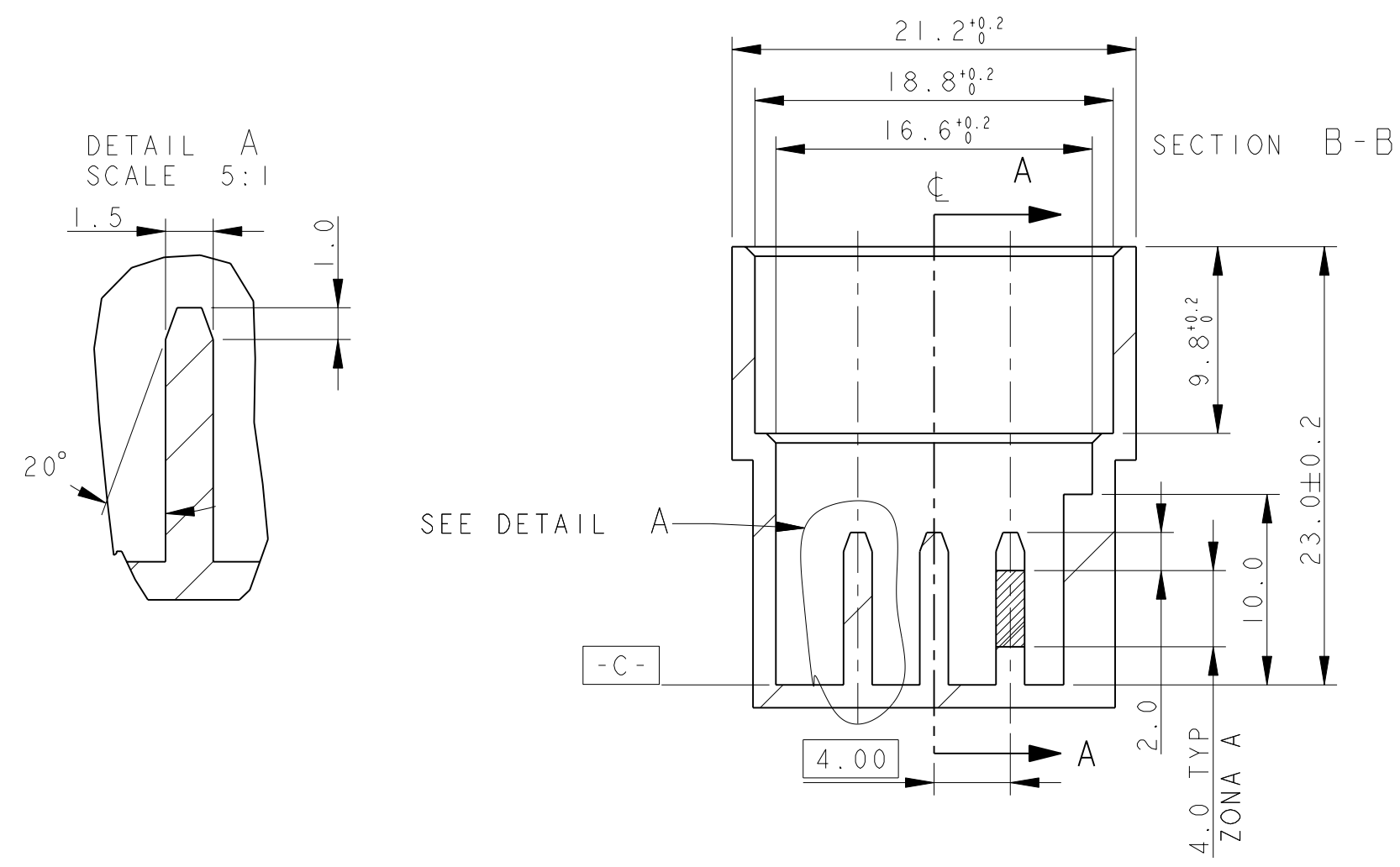
**POLARIZATION KEYS**  
 (CHIAVI DI POLARIZZAZIONE)



DIMENSIONS: mm		TOLERANCES UNLESS OTHERWISE SPECIFIED:		DWN P. CASSANDRIN 19MAR99 CHK O. CANUTO 19MAR99		Tyco Electronics C.so F.lli Cervi 15 Collegno (TO)	
0 PLC ±0.3 1 PLC ±0.2 2 PLC ±0.1 3 PLC ±. 4 PLC ±. ANGLES ±1		FINISH		APVD -		NAME	
MATERIAL		-		PRODUCT SPEC 108-20207		3 POSITIONS CONNECTOR FOR SPARK COIL	
-		-		APPLICATION SPEC 411-20059		RESTRICTED TO	
-		-		WEIGHT -		SIZE CAGE CODE DRAWING NO	
-		-		CUSTOMER DRAWING		A260779C-284425	
-		-		SCALE 1:1		SHEET 1 OF 2 REV B2	

THIS DRAWING IS UNPUBLISHED. RELEASED FOR PUBLICATION 2009  
 © COPYRIGHT 2009 BY TYCO ELECTRONICS CORPORATION. ALL INTERNATIONAL RIGHTS RESERVED.

LOC	DIST	REVISIONS			
P	LTR	DESCRIPTION	DATE	DWN	APVD
-	-	SEE SHEET 1	-	-	-



-COUNTERPART INTERFACE DRAWING FOR 3 POS. SPARK COIL CONNECTOR P.N. 284425-2/-3 (DISEGNO DI INTERFACCIA DELLA CONTROPARTE VALIDO PER CONNETTORE SPARK COIL 3 POS. P.N. 284425-2/-3)  
 -IT DIFFERS FOR SHOWN DIMENSIONS (DIFFERISCE PER LE DIMENSIONI INDICATE)

MATERIALS: (MATERIALI:)  
 -BODY IN PLASTIC MATERIAL SUITABLE FOR 150°C TEMPERATURE (CORPO IN MATERIALE PLASTICO ADATTO PER TEMPERATURA DI 150°C CONTINUATIVI)  
 -TABS: BRASS WITH 0.4 micron MIN GOLD IN ZONE A OVER 1.3/3.5 micron MIN NICKEL (LINGUETTE IN OTTONE DORATO, 0.4 micron MIN DI ORO IN ZONA A SU 1.3/3.5 micron DI NICKEL)

THIS DRAWING IS A CONTROLLED DOCUMENT FOR TYCO ELECTRONICS CORPORATION IT IS SUBJECT TO CHANGE AND THE CONTROLLING ENGINEERING ORGANIZATION SHOULD BE CONTACTED FOR THE LATEST REVISION.		DWN P. CASSANDRIN 19MAR99	Tyco Electronics Tyco Electronics AMP Italia S.r.l. C.so F.lli Cervi 15 Collegno (TO)	
DIMENSIONS: mm		CHK O. CANUTO 19MAR99	NAME 3 POSITIONS CONNECTOR FOR SPARK COIL	
TOLERANCES UNLESS OTHERWISE SPECIFIED: 0 PLC ±0.3 1 PLC ±0.2 2 PLC ±0.1 3 PLC ± 4 PLC ± ANGLES ±1		APVD -	PRODUCT SPEC 108-20207	RESTRICTED TO -
MATERIAL -		FINISH -	APPLICATION SPEC -	SCALE 1:1
-		WEIGHT -	SIZE A260779	SHEET 2 OF 2
-		CUSTOMER DRAWING	DRAWING NO 284425	REV B2