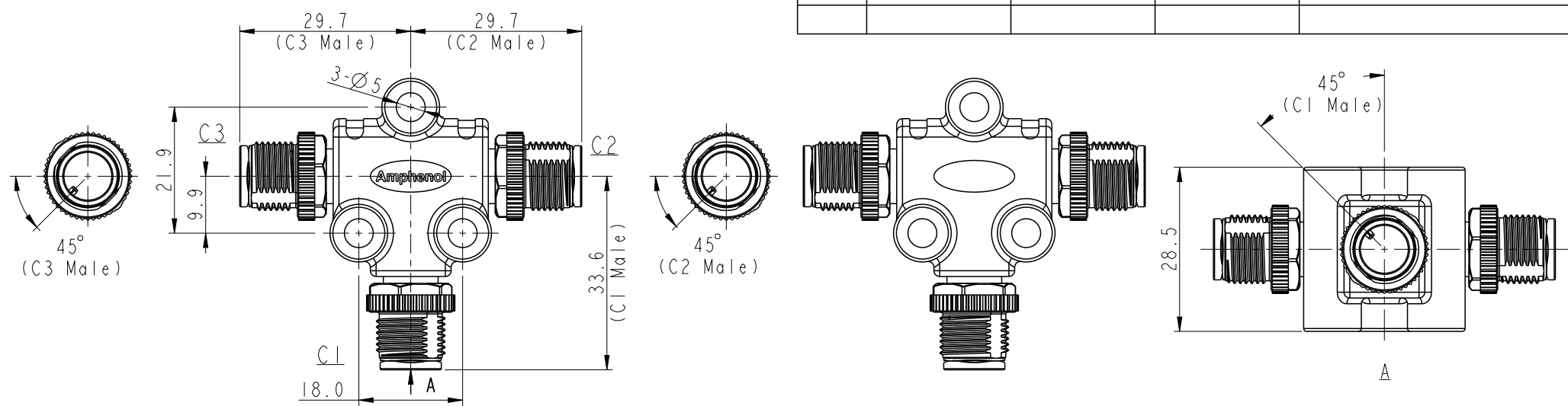


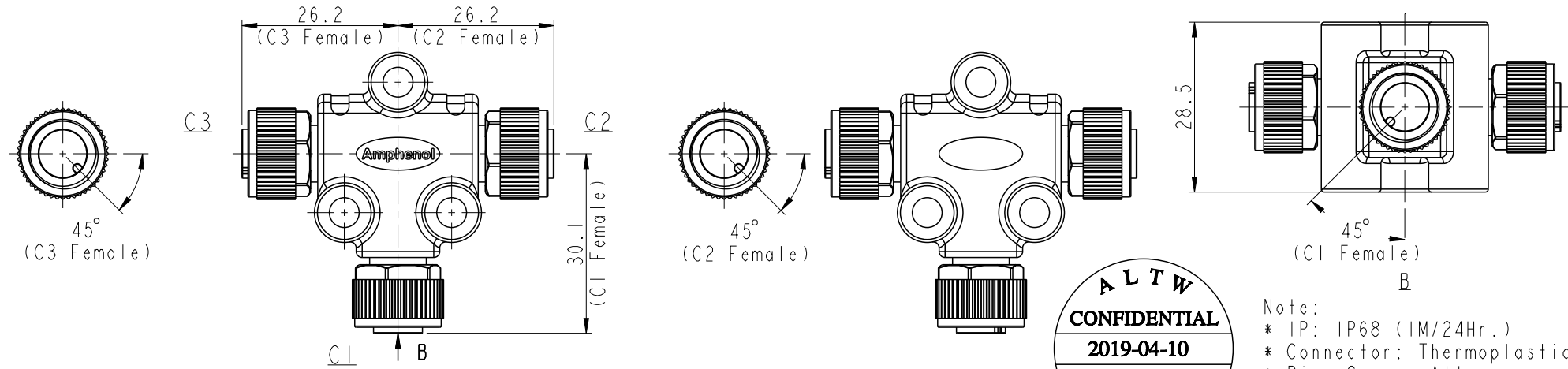
THIS DOCUMENT IS SUBJECT TO CHANGE WITHOUT NOTICE. IT IS CONFIDENTIAL AND A PROPERTY OF Amphenol LTW. DISCLOSURE TO THIRD PARTY HAS TO BE AUTHORIZED BY Amphenol LTW.

| REV. | ECN NO. | DATE | SIGN | DESCRIPTION |
|------|---------|------------|----------|-------------------|
| A | | 2019/04/10 | Bovan Lu | Initial Released. |
| | | | | |

Male Connector Position & Key Direction



Female Connector Position & Key Direction



※ This drawing is common drawing of series products.
 The figure only shows individual position and key direction of male/female connectors.
 Specific state of C1,2,3 connectors depends on part number. (see sheet 2/3)

ALTW
CONFIDENTIAL
 2019-04-10
R&D DEPT.

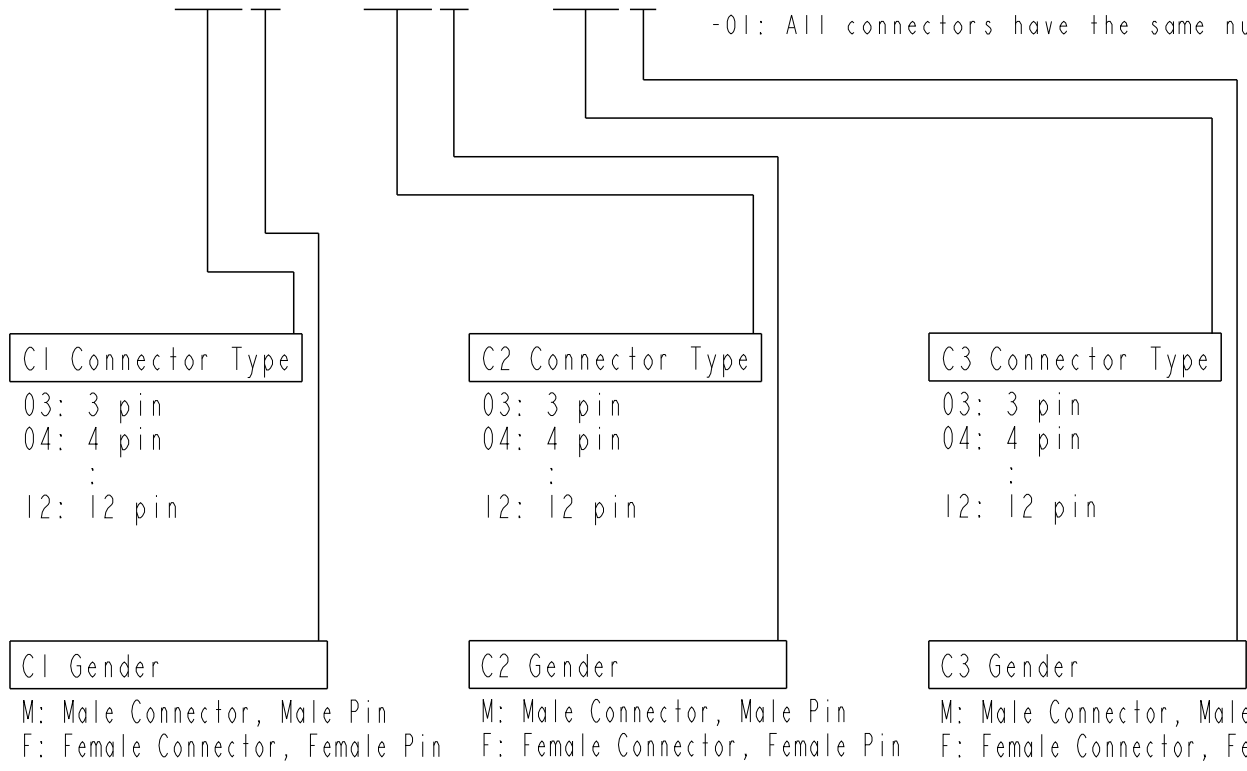
- Note:
- * IP: IP68 (IM/24Hr.)
 - * Connector: Thermoplastic
 - * Pin: Copper Alloy
 - * Nut: Metal
 - * Other:

| | | | | | | | | | | |
|--|--|---------------------------------|-----------------|--------------------------------|---------|--------------------------------|--|-------------------------|--|--------------------|
| UNIT:mm TOLERANCE ±0.5mm | | TITLE M12, A-Code, T-Adaptor | | ITEM NO | | DRAWN BY Bovan Lu | | DATE 2019-04-10 | | |
| | | SCALE 1:1 | SIZE A4 | SHEET 1 | OF 3 | DWG NO TA-AXXX-AXXX-AXXX-XX | | CHECKED BY Neo Tsai | | DATE 2019-04-10 |
| | | REV. A | WC-REV. A.17 | QC: Inspection item | | CUSTOMER ALTW | | APPROVED BY Max Yang | | DATE 2019-04-10 |
| <h1>Amphenol LTW</h1> <p>安費諾亮泰企業股份有限公司</p> | | | | <small>W10814-03-001A2</small> | | | | | | |

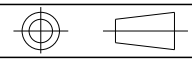
THIS DOCUMENT IS SUBJECT TO CHANGE WITHOUT NOTICE. IT IS CONFIDENTIAL AND A PROPERTY OF Amphenol LTW. DISCLOSURE TO THIRD PARTY HAS TO BE AUTHORIZED BY Amphenol LTW.

TA - AXXX - AXXX - AXXX - XX

-01: All connectors have the same number of pins.



UNIT: mm



| | | | |
|---------------------------------|-----------------|--------------------|--|
| TITLE M12, A-Code, T-Adaptor | | | |
| SCALE 1:1 | SIZE A4 | SHEET 2 OF 3 | |
| REV. A | WC-REV. A.17 | Ⓞ: Inspection item | |

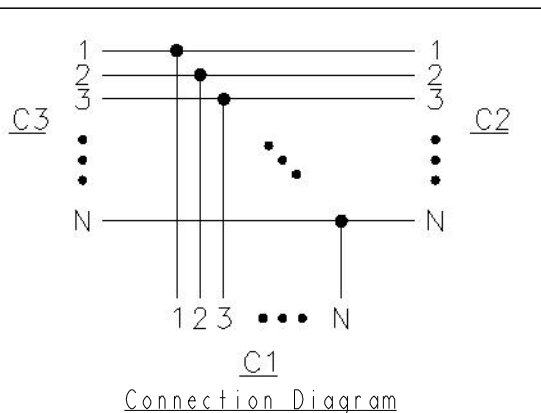
Amphenol LTW

安費諾亮泰企業股份有限公司

| | | |
|--------------------------------|-------------------------|--------------------|
| ITEM NO | DRAWN BY Bovan Lu | DATE 2019-04-10 |
| DWG NO TA-AXXX-AXXX-AXXX-XX | CHECKED BY Neo Tsai | DATE 2019-04-10 |
| CUSTOMER ALTW | APPROVED BY Max Yang | DATE 2019-04-10 |

| | | A-code | | | | | | |
|---------|---------------------------------------|---|---|--|--|--|---|---|
| | | 3 Pin | 4 Pin | 5 Pin | 6 Pin | 8 Pin | 10 Pin | 12 Pin |
| Male | | | | | | | | |
| Female | | | | | | | | |
| Pin Out | Pin# Color | Pin# Color | Pin# Color | Pin# Color | Pin# Color | Pin# Color | Pin# Color | Pin# Color |
| | Pin1 Black Pin3 White Pin4 Blue | Pin1 Black Pin2 White Pin3 Blue Pin4 Green | Pin1 Black Pin2 White Pin3 Blue Pin4 Green Pin5 Red | Pin1 Black Pin2 White Pin3 Blue Pin4 Green Pin6 Red Pin7 Gray | Pin1 Black Pin2 White Pin3 Blue Pin4 Green Pin5 Red Pin6 Gray Pin7 Yellow Pin8 Orange | Pin1 Black Pin2 White Pin3 Blue Pin4 Green Pin5 Red Pin6 Gray Pin7 Yellow Pin8 Orange Pin9 Brown Pin10 Purple | Pin1 Black Pin2 White Pin3 Blue Pin4 Green Pin5 Red Pin6 Gray Pin7 Yellow Pin8 Orange Pin9 Brown Pin10 Purple Pin11 White/Red Pin12 Pink | Pin1 Black Pin2 White Pin3 Blue Pin4 Green Pin5 Red Pin6 Gray Pin7 Yellow Pin8 Orange Pin9 Brown Pin10 Purple Pin11 White/Red Pin12 Pink |

Pin Assignments Front View



UNIT:mm

TOLERANCE —

| | | |
|---------------------------------|-----------------|-----------------|
| TITLE M12, A-Code, T-Adaptor | | |
| SCALE 1:1 | SIZE A4 | SHEET 3 OF 3 |
| REV. A | WC-REV. A.17 | Inspection item |

Amphenol LTW
安費諾亮泰企業股份有限公司

| | | |
|--------------------------------|-------------------------|--------------------|
| ITEM NO | DRAWN BY Bovan Lu | DATE 2019-04-10 |
| DWG NO TA-AXXX-AXXX-AXXX-XX | CHECKED BY Neo Tsai | DATE 2019-04-10 |
| CUSTOMER ALTW | APPROVED BY Max Yang | DATE 2019-04-10 |