

PRODUCT DATASHEET

Twiddle series

last update 15/11/2013

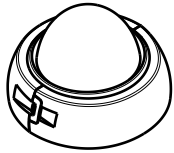
**Product number FA10737_TWIDDLE-D**

Family	Twiddle	FWHM	20 degrees
Type	Assembly	Efficiency	-
LED	XR-E	cd/lm	-
Color	-	Gerber File	Available
Diameter	21.6 mm		
Height	14.4 mm		
Style	Round		
Optic Material	-		
Holder Material	-		
Fastening	["tape"]		
Status	Production ready		

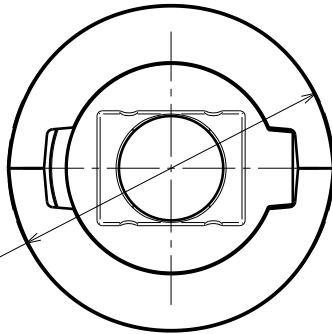
Product number FA10739_TWIDDLE-M

Family	Twiddle	FWHM	28 degrees
Type	Assembly	Efficiency	71 %
LED	XR-E	cd/lm	-
Color	-	Gerber File	Available
Diameter	21.6 mm		
Height	13.2 mm		
Style	Round		
Optic Material	-		
Holder Material	-		
Fastening	["tape"]		
Status	Production ready		

NOTE: The typical divergence will be changed by different color, chip size and chip position tolerance. The typical total divergence is the full angle measured where the luminous intensity is half of the peak value.



Isometric view
Scale: 1:1



Bottom view

14.2 without Tape

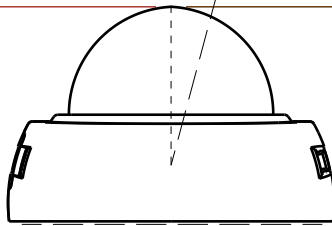
D

13.0 without tape

M

Adjustable light beam
to all directions, max.15deg
from center position.

15°



14.4

D

13.2

M

Front view

MATERIALS
Lens: PMMA
Holder: PC

Part no.s:
FA10737_Twiddle-XR-D
FA10739_Twiddle-XR-M

This drawing is our property.
It can't be reproduced
or communicated without
our written agreement.



Ledil Oy
Tehdaskatu 13
FIN-24100 SALO
Finland

DRAWING TITLE

Datasheet Twiddle-XR Series Assy

DRAWN BY
pv
DATE
27.11.2009

CHECKED BY
tk
DATE
26.11.2008

DESIGNED BY
HH
DATE
14.10.2008

SIZE A4 **DRAWING NUMBER** **REV** 1

SCALE 2:1 **WEIGHT (g)** - **SHEET** 1/1

D

A