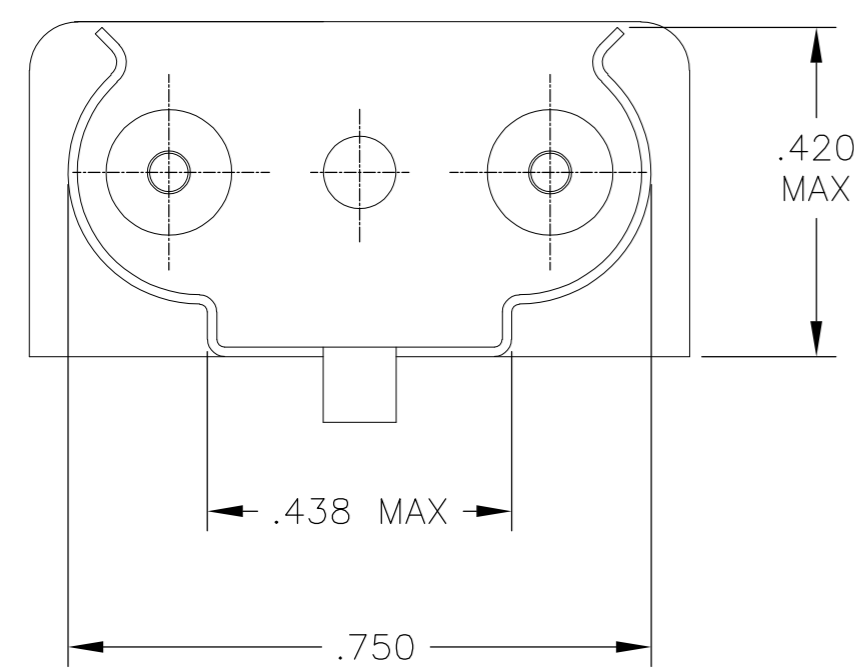
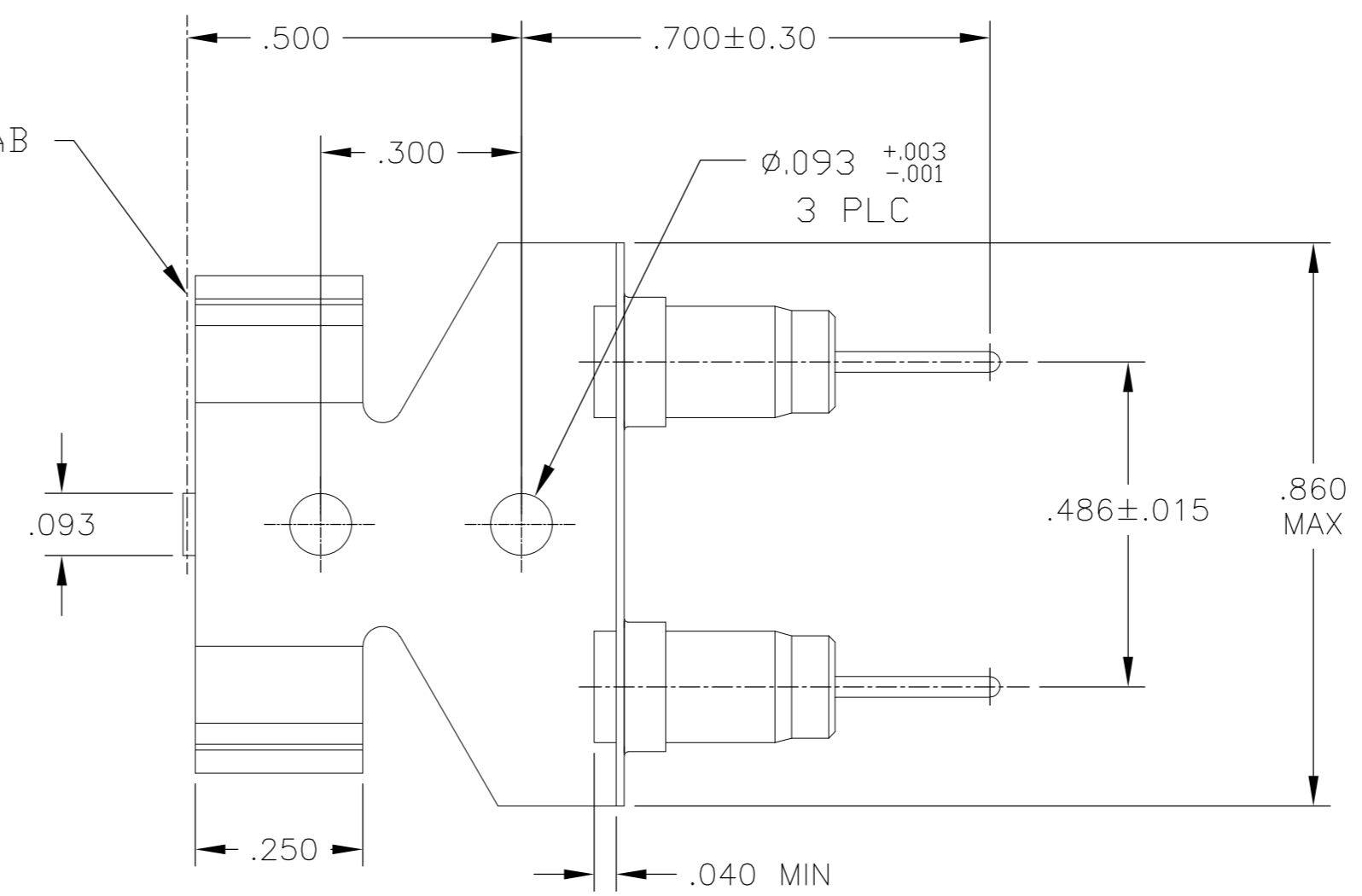


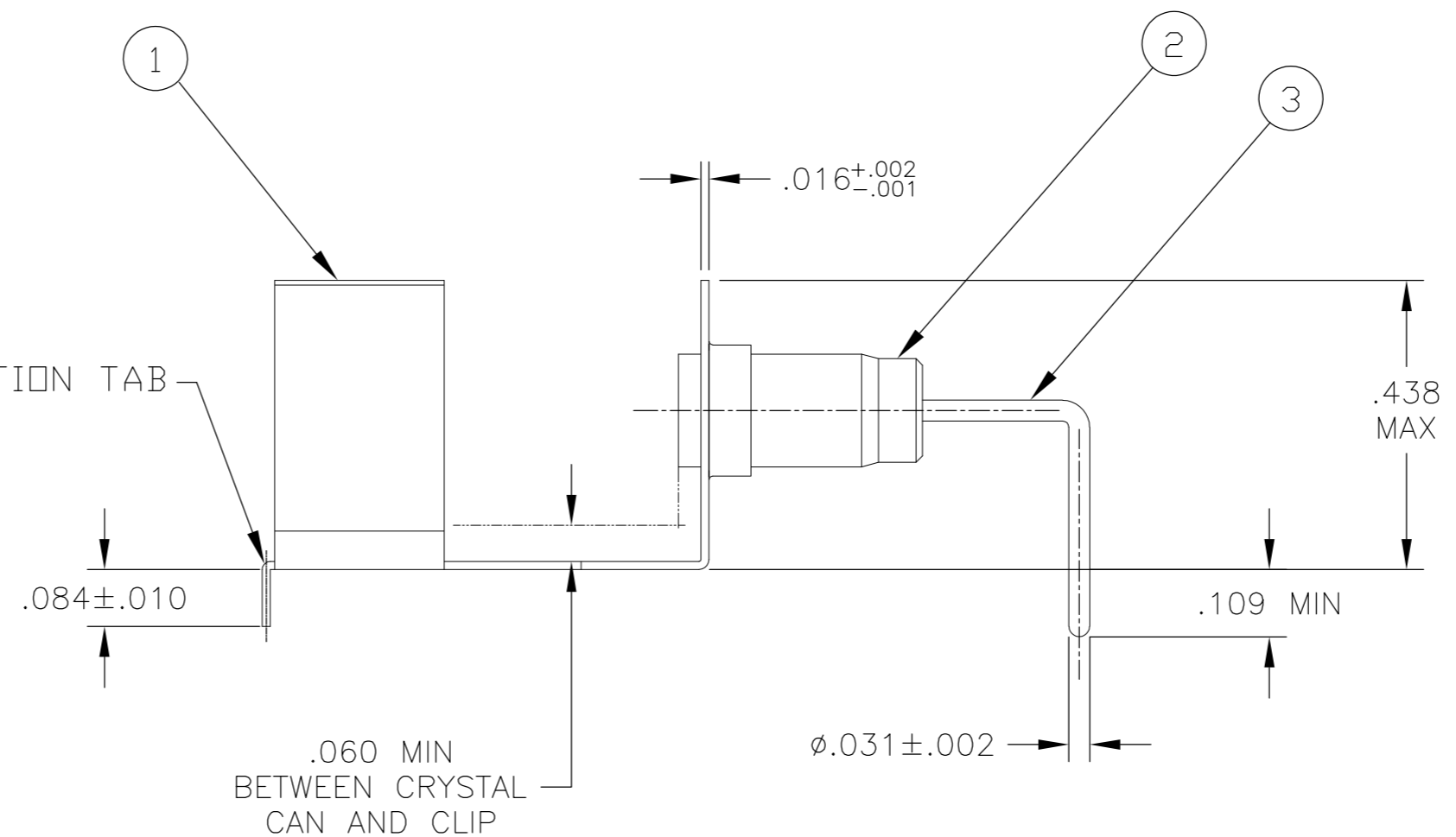
THIS DRAWING IS UNPUBLISHED. RELEASED FOR PUBLICATION  
 © COPYRIGHT - By - ALL RIGHTS RESERVED.

LOC		DIST		REVISIONS			
P	LTR	DESCRIPTION	DATE	DWN	APVD		
AD	00	A	RELEASED	22APR2013	W.W	C.W	

C/L OF ANTI-ROTATION TAB



ANTI-ROTATION TAB



8000-DG2-5	1437503-9
AUGAT PART NUMBER	TE PART NUMBER

THIS DRAWING IS A CONTROLLED DOCUMENT.		DWN WINNG.WANG 22APR2013	TE Connectivity																			
DIMENSIONS: INCHES		CHK SIMON.LI 22APR2013																				
TOLERANCES UNLESS OTHERWISE SPECIFIED:		APVD COREL.WANG 22APR2013	NAME CRYSTAL SOCKET ASSEMBLY																			
<table border="1"> <tr><td>0 PLC</td><td>±</td><td>-</td></tr> <tr><td>1 PLC</td><td>±</td><td>-</td></tr> <tr><td>2 PLC</td><td>±</td><td>-</td></tr> <tr><td>3 PLC</td><td>±</td><td>.005</td></tr> <tr><td>4 PLC</td><td>±</td><td>-</td></tr> <tr><td>ANGLES</td><td>±</td><td>1</td></tr> </table>		0 PLC	±	-	1 PLC	±	-	2 PLC	±	-	3 PLC	±	.005	4 PLC	±	-	ANGLES	±	1	PRODUCT SPEC	SIZE CAGE CODE DRAWING NO RESTRICTED TO	
0 PLC	±	-																				
1 PLC	±	-																				
2 PLC	±	-																				
3 PLC	±	.005																				
4 PLC	±	-																				
ANGLES	±	1																				
MATERIAL		APPLICATION SPEC	A2 00779 C=1437503-9																			
FINISH		WEIGHT	SCALE 4:1 SHEET 1 of 1 REV A																			
		CUSTOMER DRAWING																				