

## DETAILS

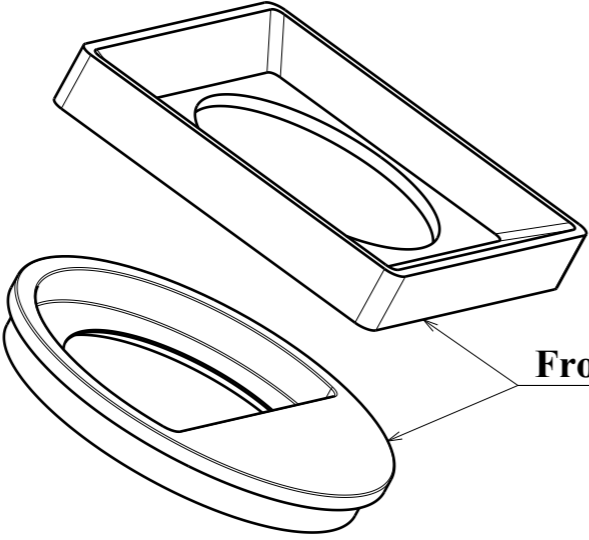
<b>Product Number</b>	FN15387_RONDA-WW
<b>Family</b>	Ronda
<b>Type</b>	Assembly
<b>Color</b>	white
<b>Diameter</b>	69,9 mm
<b>Height</b>	14,6 mm
<b>Style</b>	round
<b>Optic Material</b>	PMMA
<b>Holder Material</b>	
<b>Fastening</b>	
<b>Status</b>	production ready
<b>ROHS Compliant</b>	Yes
<b>Date Updated</b>	4/04/2017



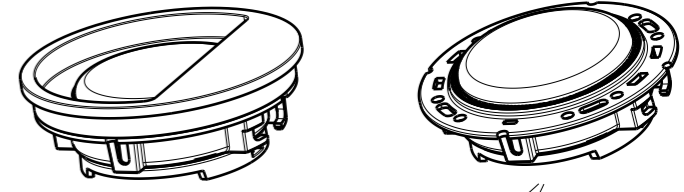
## OPTICAL PROPERTIES

LED	Viewing	Light	Effi-		Connector
	Angle	Beam	ciency	cd/lm	
V13 Gen7	64 deg	Very Wide	82 %	0.680	TE: 2213254-2 + OPTIC CLIP Z50 TYPE1 2213194-1
V13 Gen7	sim: 59	Very Wide	sim: 89 %	sim: 0.800	IDEAL: 50-2103CT + 50-2100AN
CXA/B 1816 & CXA/B 1820 & CXA 1850	sim: 57	Very Wide	sim: 85 %	-	TE: 2213401-2 + OPTIC CLIP Z50 TYPE1 2213194-1
LUXEON CoB 1202/1203	sim: 56	Very Wide	sim: 87 %	-	TE: 2213382-2 + OPTIC CLIP Z50 TYPE1 2213194-1
COB L-Type (LES 9)	sim: 56	Very Wide	sim: 87 %	-	TE: 2213382-2 + OPTIC CLIP Z50 TYPE1 2213194-1
NSCxL036A	sim: 56	Very Wide	sim: 88 %	-	TE: 2213382-2 + OPTIC CLIP Z50 TYPE1 2213194-1
COB J-Type	60 deg	Very Wide	81 %	0.640	IDEAL: 50-2103NC + 50-2100AN
Fortimo SLM G5 LES 15 Standard	66 deg	Very Wide	83 %	0.610	TE: OPTIC CLIP Z50 TYPE1 2213194-1
LC040C	60 deg	Very Wide	86 %	0.830	TE: 2213382-2 + OPTIC CLIP Z50 TYPE1 2213194-1
AC Zhaga COB	67 deg	Very Wide	84 %	0.610	Optosource: SEHSMJD-A
MJT COB LES 14.5	69 deg	Very Wide	80 %	0.600	TE: 2213254-2 + OPTIC CLIP Z50 TYPE1 2213194-1
SLE G6 LES15	sim: 62	Very Wide	sim: 82 %	sim: 0.740	TE: 2213254-2 + OPTIC CLIP Z50 TYPE1 2213194-1

H G F E D C B A

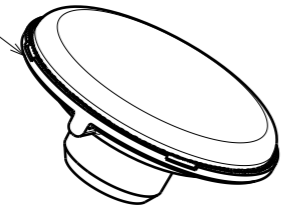


Front plate examples

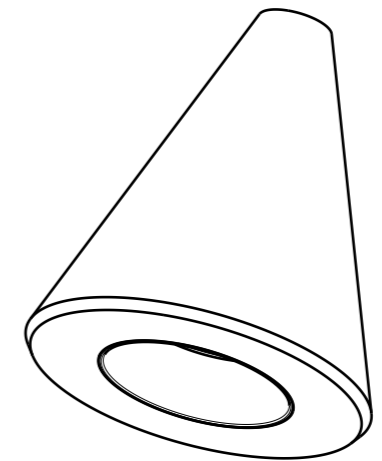


Examples

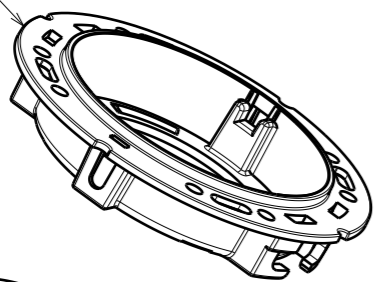
D=49.9



Optic

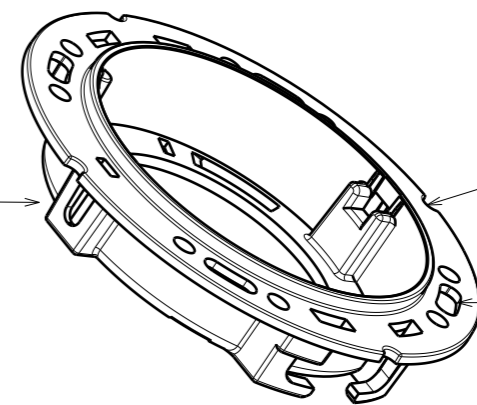


D=69.9mm



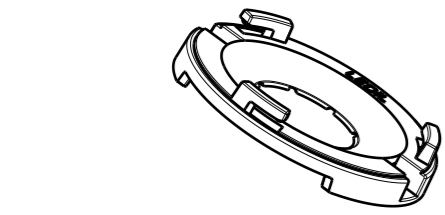
Ledil-clamp / TE / Bender-wirth / other twist and lock socket types (holder A)

Horizontal fix: M3 Nut + bolt



Rotation fix

Vertical fix: M3 Screw / Twist and lock / Snap



BJB and Stucchi 50mm (holder B)



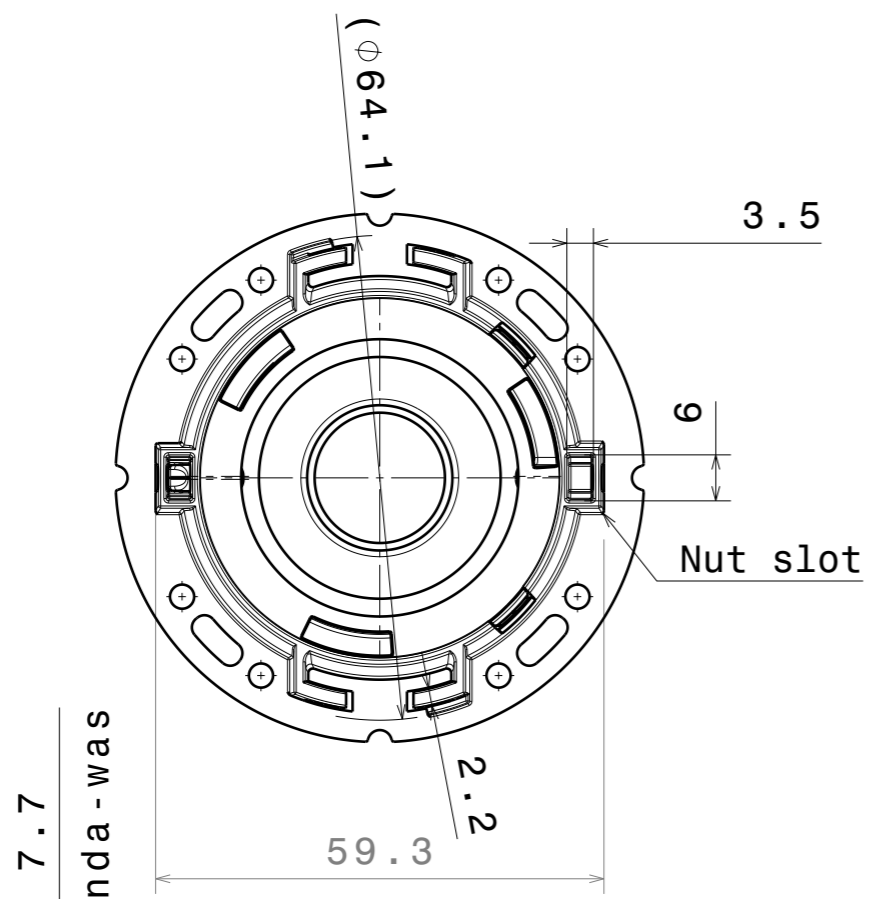
LES size up to ~14mm, see compatibility [www.ledil.com](http://www.ledil.com)

See more details on page 2 and 3

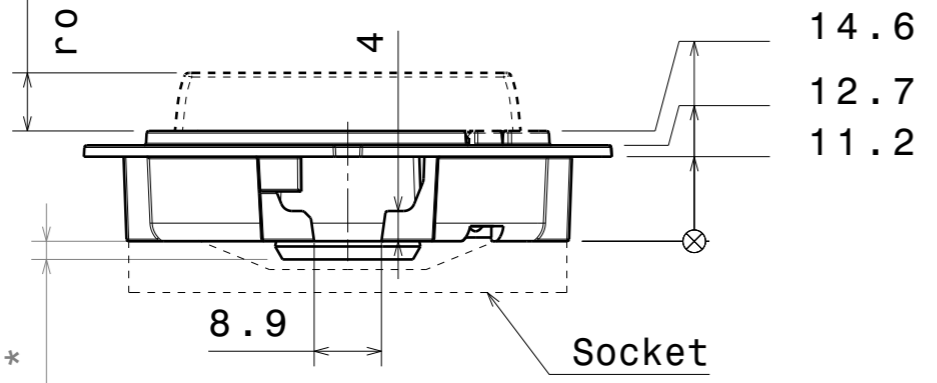
Tolerances if not otherwise shown According to DIN ISO 2768-1 Linear measures: up to 30mm class M, otherwise class C According to DIN ISO 2768-2 Form and position: class L		<b>LEDiL</b> Ledil Oy Salorankatu 10 FIN 24240 SALO Finland	
THIRD ANGLE PROJECTION:		DRAWING TITLE <p style="text-align: center;">RONDA-family</p>	
This drawing is the property of LEDiL Oy. It may not be reproduced, copied or communicated without a written agreement with LEDiL Oy.		SIZE <p style="text-align: center;">A3</p>	PART NUMBER <p style="text-align: center;">-</p>
		SCALE 1:1	WEIGHT -
		SHEET 1/3	

H G B A

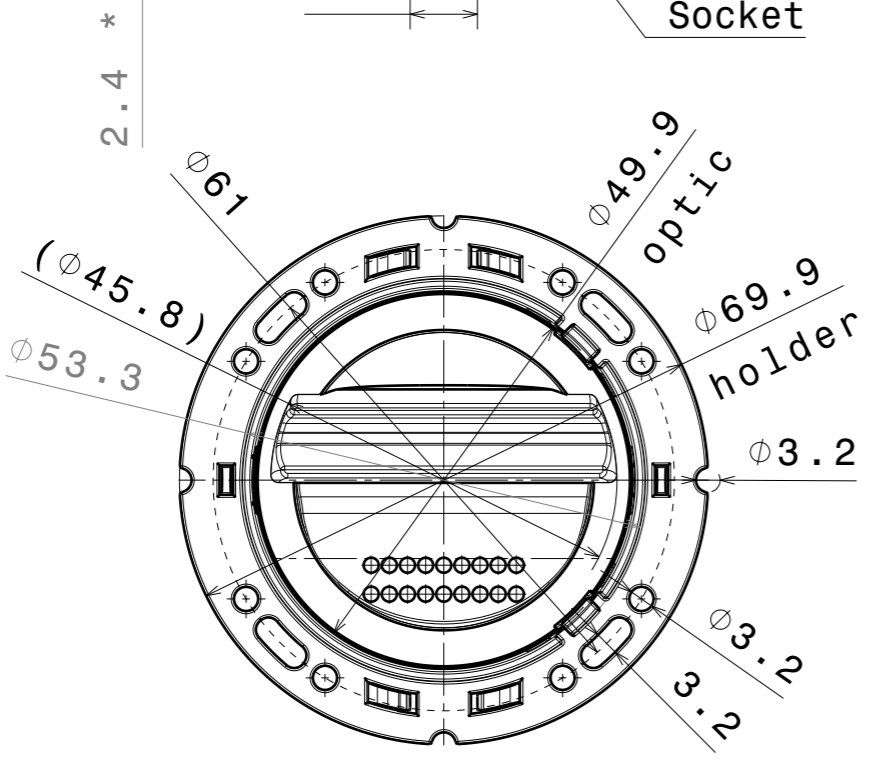
Bottom view



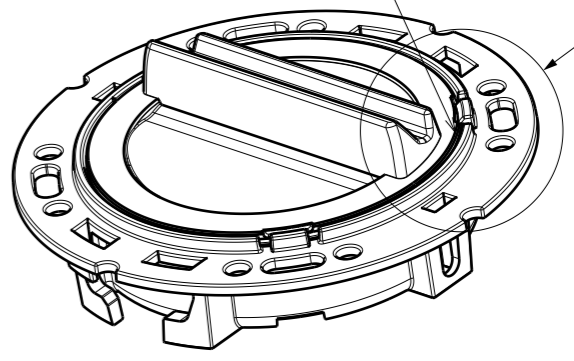
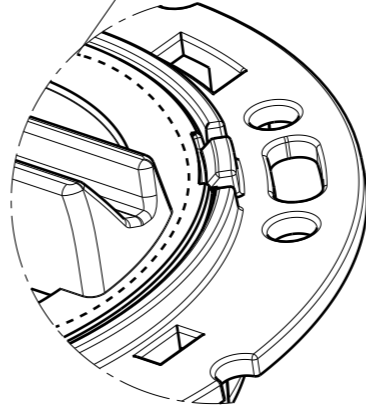
Front view



Top view



Front panel location suggestion when seamless look needed



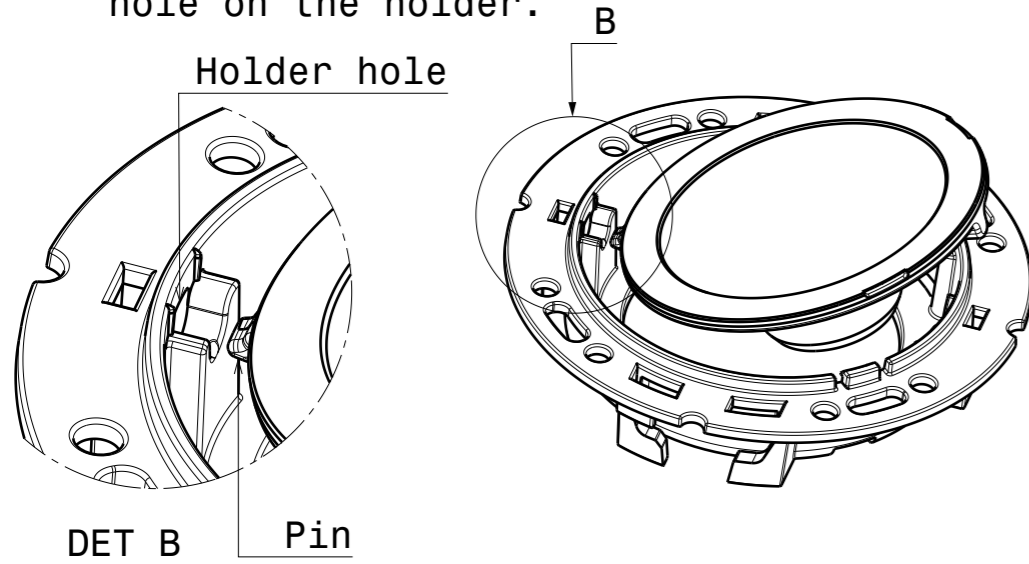
Isometric view

\* Ensure from 3d according specific optic version

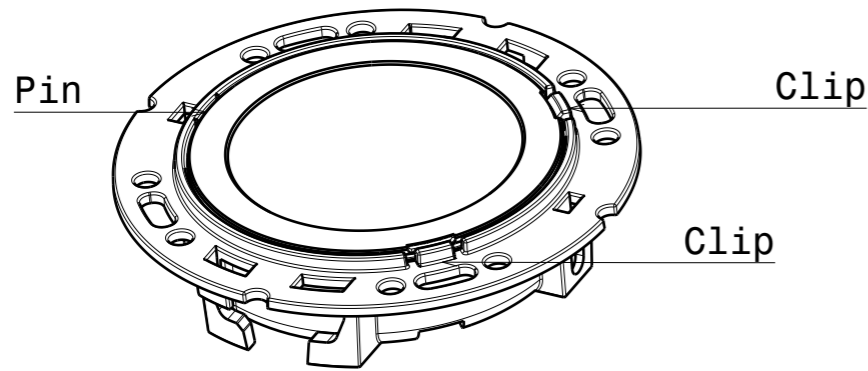
Tolerances if not otherwise shown According to DIN ISO 2768-1 Linear measures: up to 30mm class M, otherwise class C According to DIN ISO 2768-2 Form and position: class L		<b>LEDiL</b> Ledil Oy Salorankatu 10 FIN 24240 SALO Finland	
THIRD ANGLE PROJECTION:		DRAWING TITLE <b>RONDA-family</b>	
This drawing is the property of LEDiL Oy. It may not be reproduced, copied or communicated without a written agreement with LEDiL Oy.		SIZE <b>A3</b>	PART NUMBER -
		SCALE 1:1	WEIGHT -
		SHEET 2/3	

**OPTIC/HOLDER ASSEMBLY**

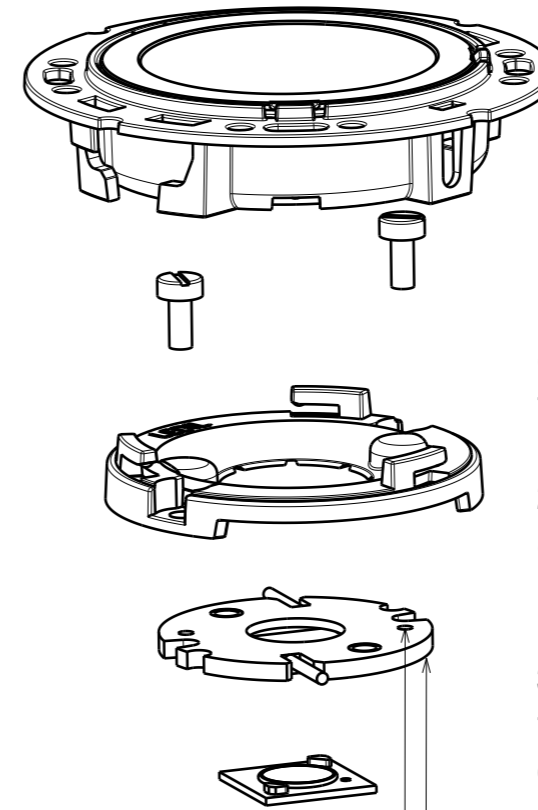
1. Place pin on the side of the lens into relative hole on the holder.



2. Press the lens under clips on the holder, ensuring both clips are fixed.



**TYPICAL CONNECTOR ASSEMBLY (including solderless BENDER WIRTH as example)**



1. Ensure correct relation of clamp and connector before screwing. Recommended torque 0.6Nm.

2. Assemble LED, BENDER&WIRTH connector and C13658\_CLAMP-VER013-18 clamp on heatsink with M3 screw.

3. Attach optic by aligning the holes in the holder with hooks and turning the optic holder clockwise until it locks.

Bender&Wirth model 4xx Typ L1

Align clamp positioning pin with holes in the connector.

Tolerances if not otherwise shown  
According to DIN ISO 2768-1  
Linear measures:  
up to 30mm class M, otherwise class C  
According to DIN ISO 2768-2  
Form and position: class L

**LEDiL** LediL Oy  
Salorankatu 10  
FIN 24240 SALO  
Finland

THIRD ANGLE PROJECTION:

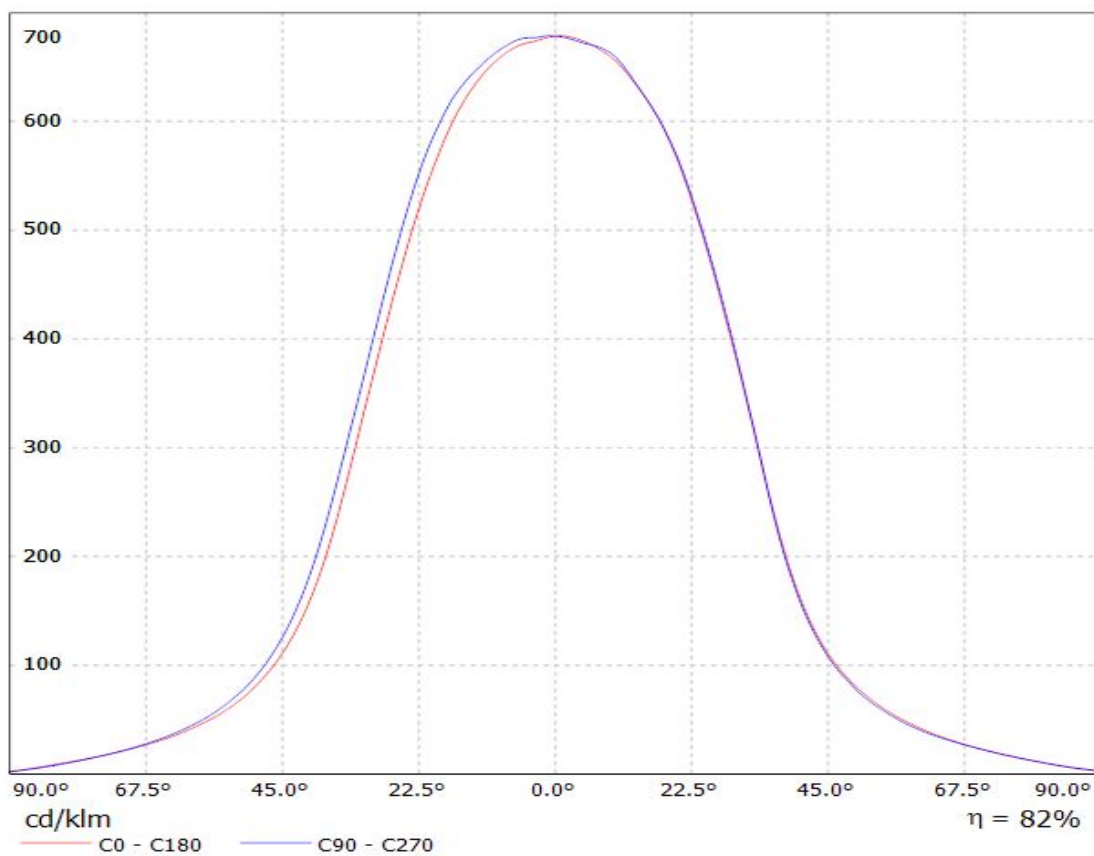
DRAWING TITLE  
**RONDA-family**

This drawing is the property of LEDiL Oy. It may not be reproduced, copied or communicated without a written agreement with LEDiL Oy.

SIZE	PART NUMBER		
A3	-		
SCALE	1:1	WEIGHT	-
SHEET		3/3	

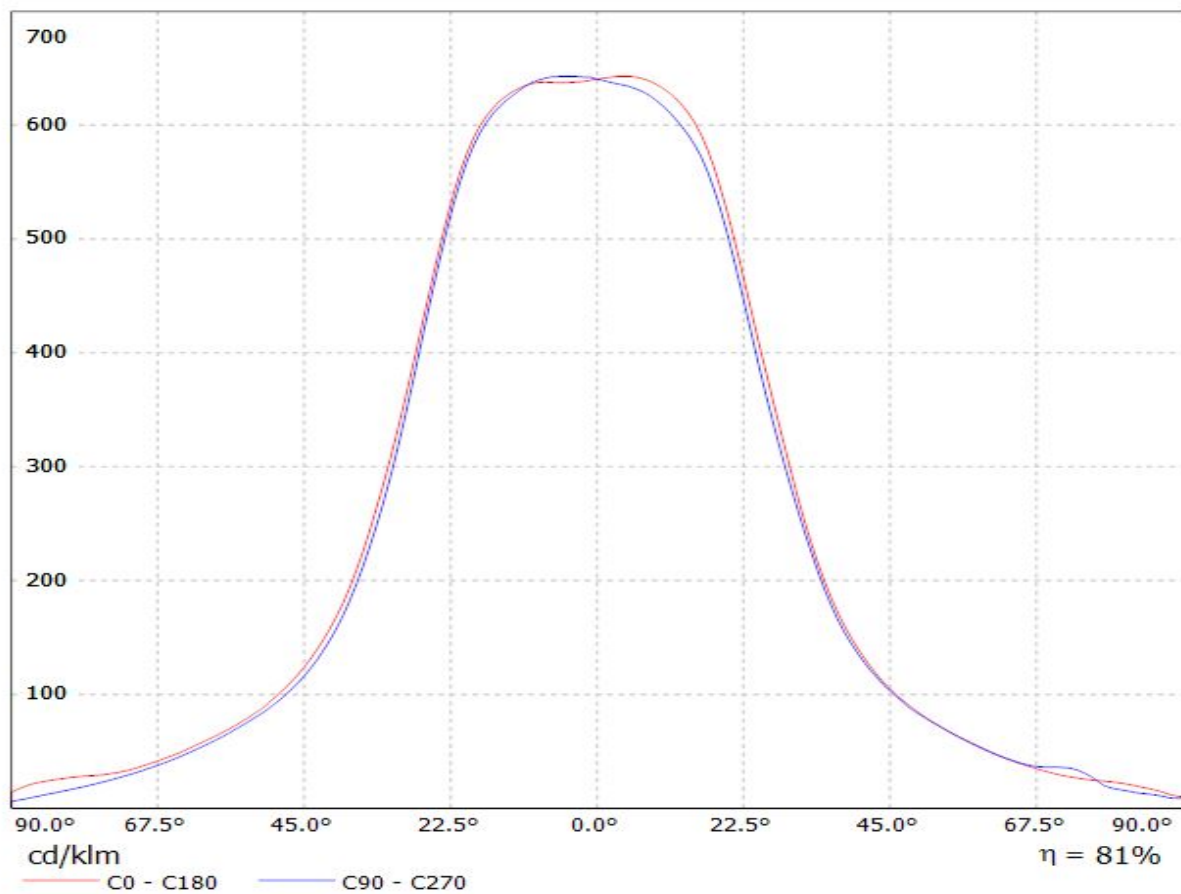
Luminaire: LEDiL Oy FN15387\_RONDA-WW\_(V13\_Gen7)+TE

Lamps: 1 x Bridgelux\_V13\_Gen7\_(BXRE-30E2000-B\_+TE\_2213254-2+TE\_2213194-1)\_1295.55lm@250mA\_P=8.30985W\_I=0.25A



Luminaire: LEDiL Oy FN15387\_RONDA-WW\_(NFDLJ130B+IDEAL)

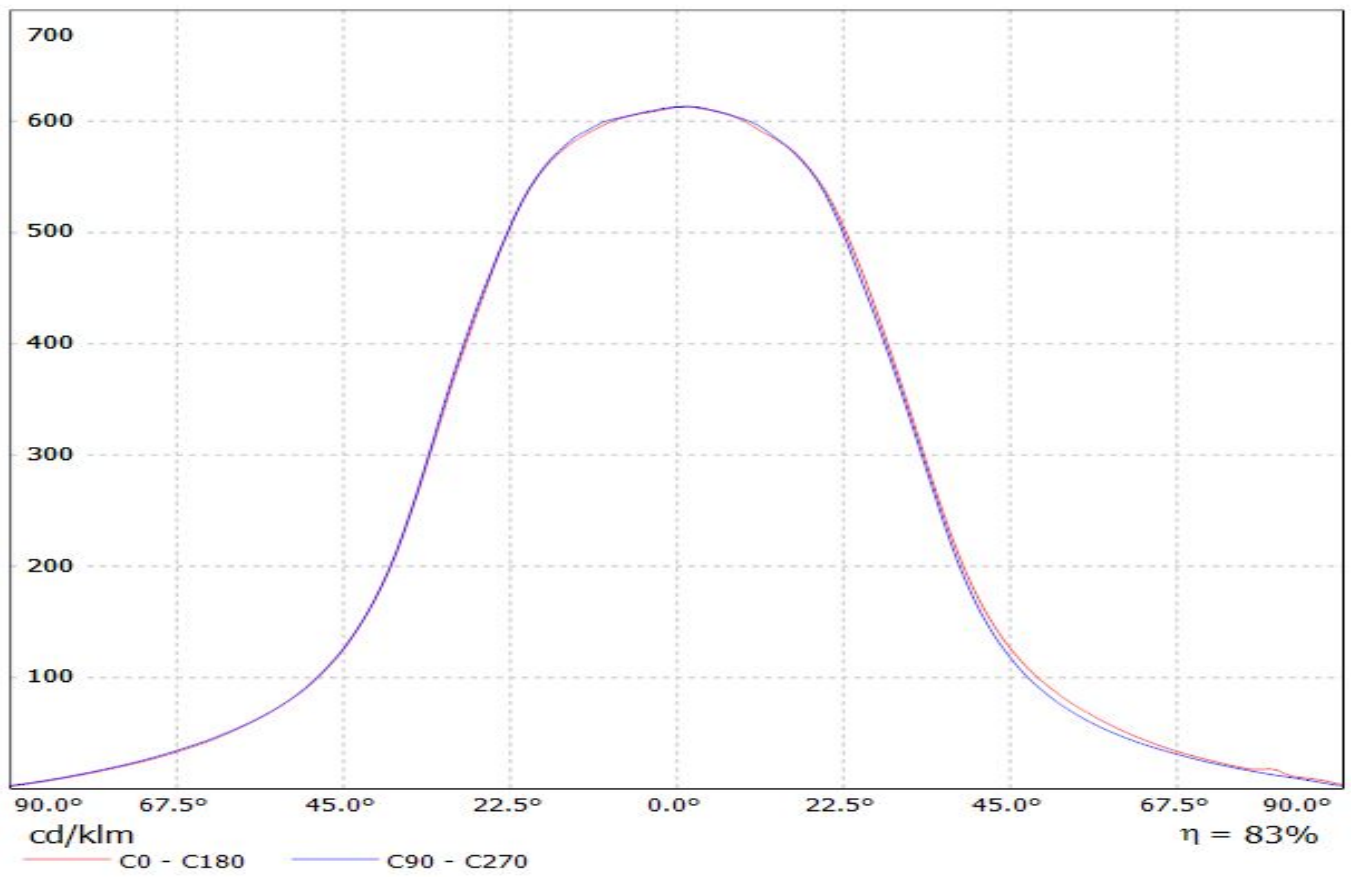
Lamps: 1 x Nichia\_NFDLJ130B\_+50-2103NC\_+50-2100AN\_1422.52lm@250mA\_CCT=4000K\_P=8.91686W\_I=0.25A





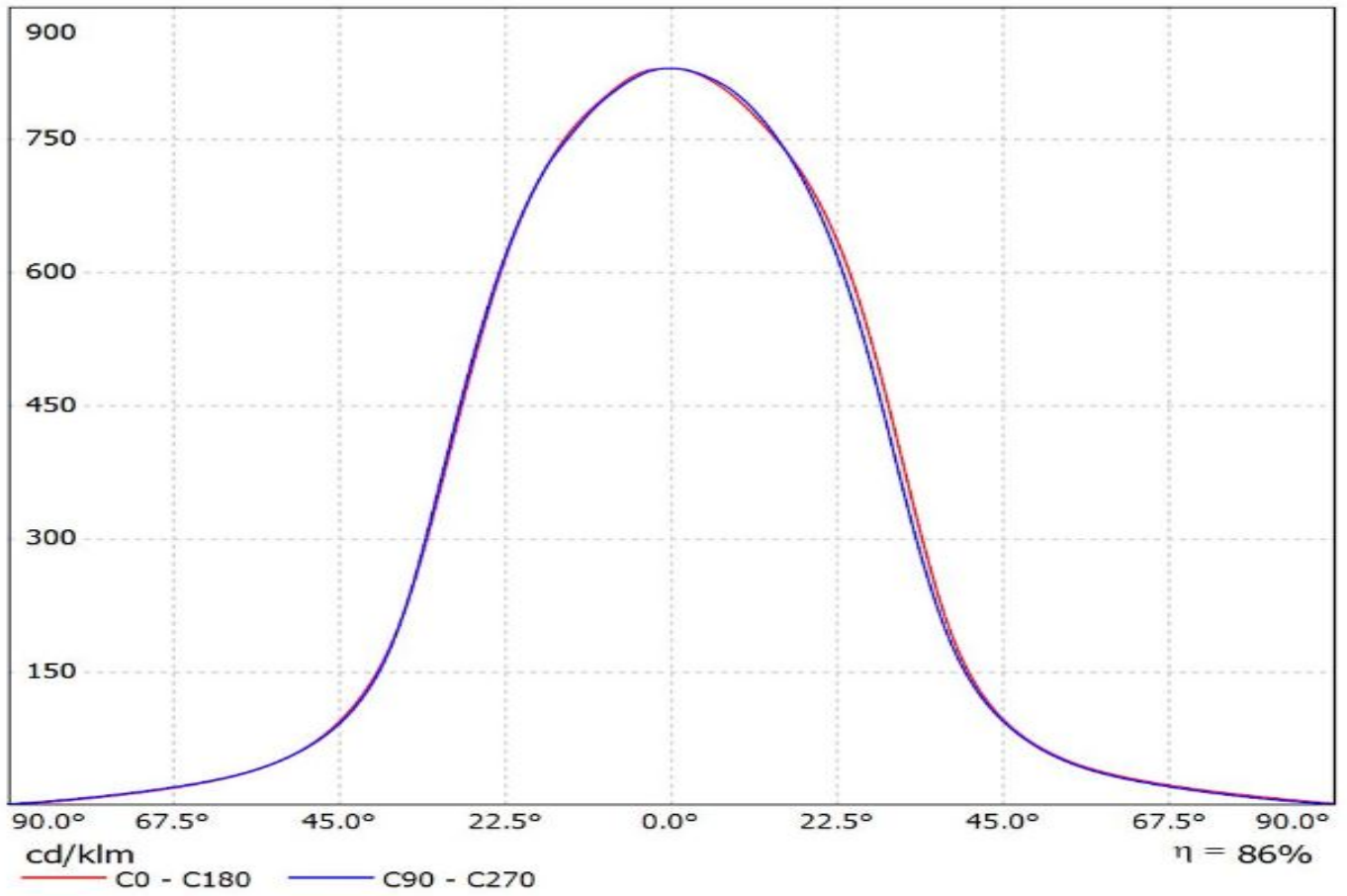
Luminaire: Ledil FN15387\_RONDA-WW\_(SLM\_G5\_LES\_15\_+TE\_2213194-1)

Lamps: 1 x Philips\_SLM\_G5\_LES\_15\_+TE\_2213194-1\_1275.04lm@250mA\_P=8.2035W\_I=0.25A



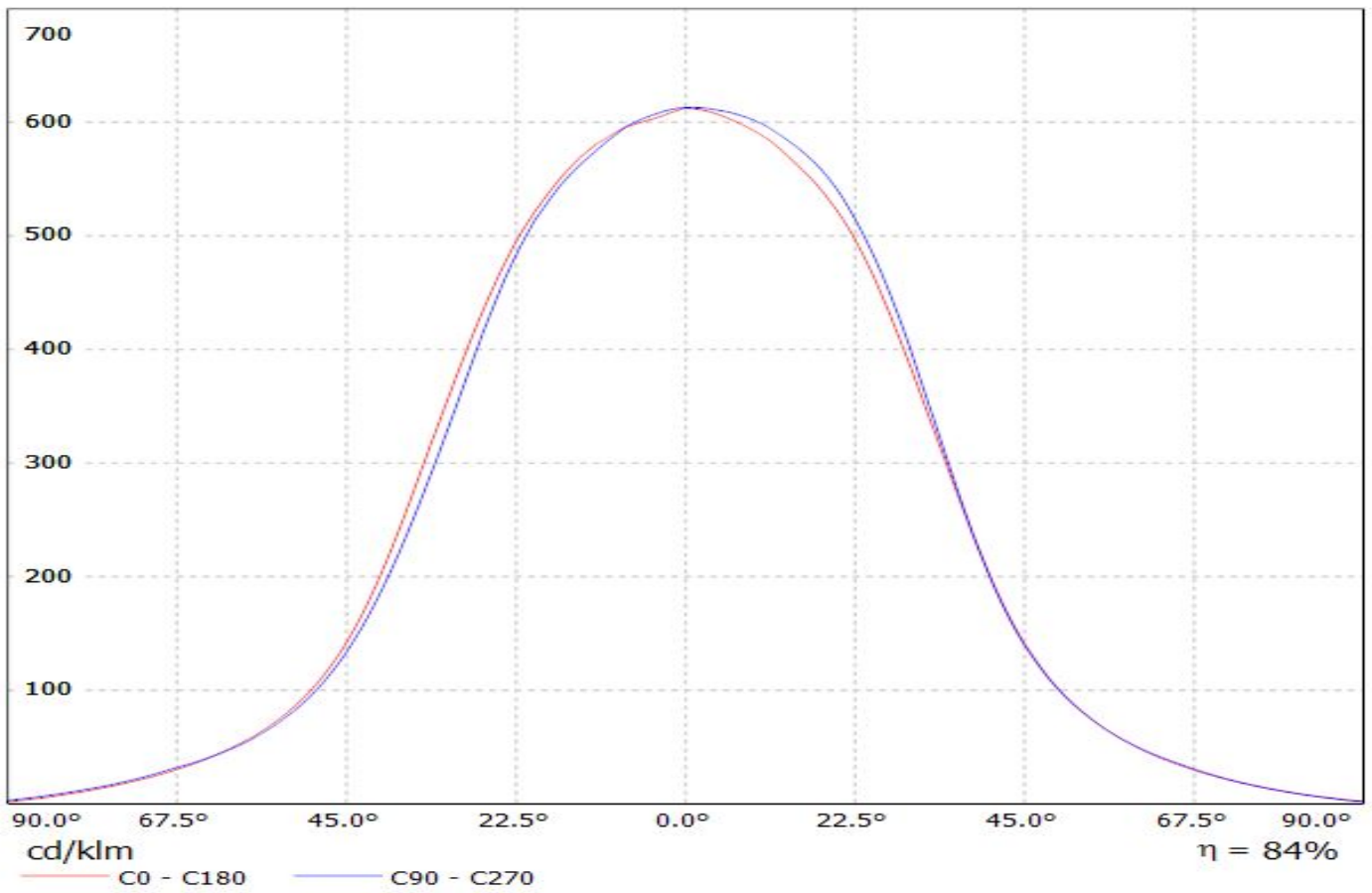
Luminaire: Ledil FN15387\_RONDA-WW\_(LC040C+TE)

Lamps: 1 x Samsung\_LC040C+\_2213382-2+\_2213194-1\_1194.16lm@250mA\_CCT=4000K\_P=8.137W



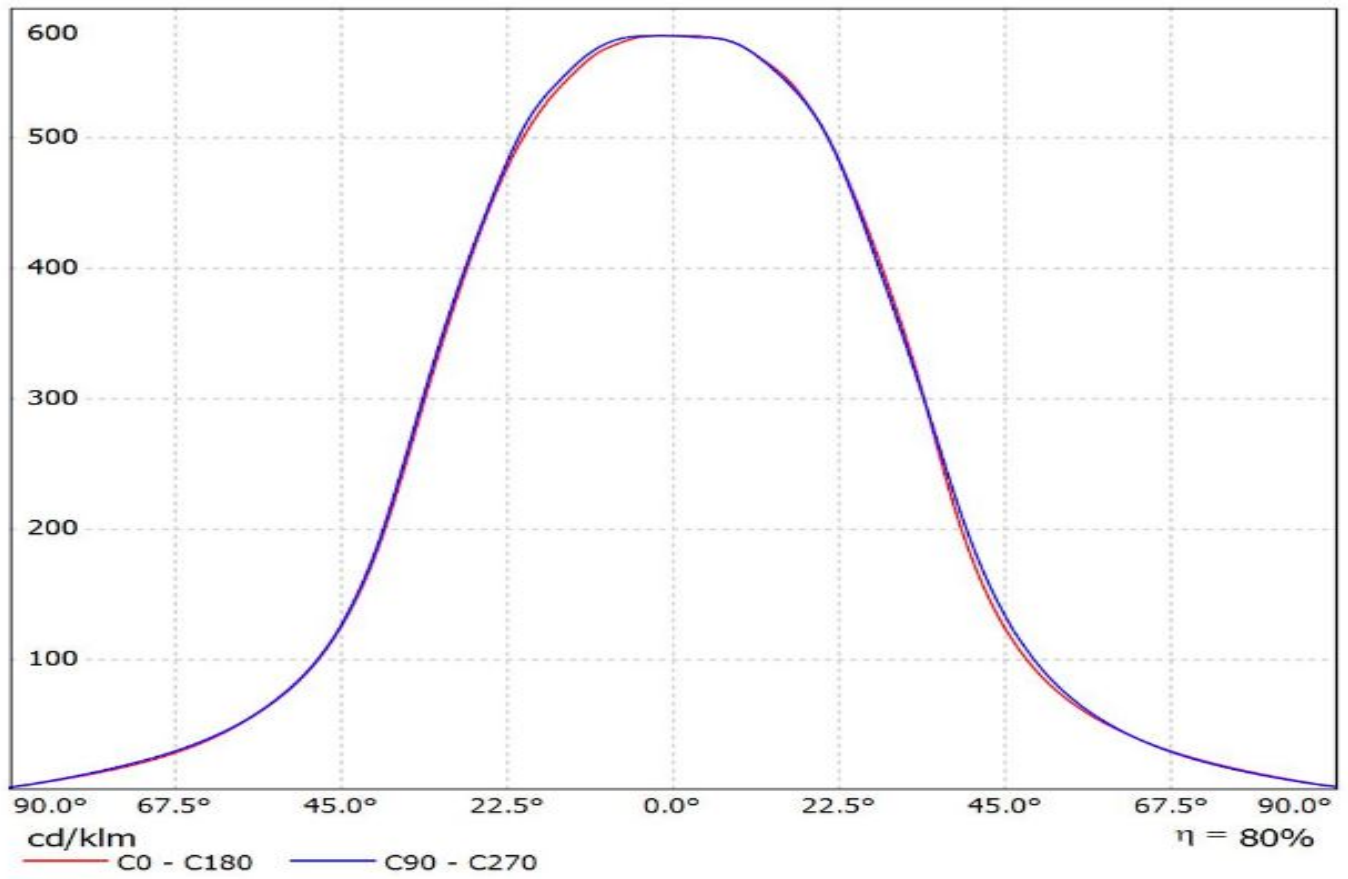


Luminaire: Ledil FN15387\_RONDA-WW\_(SEOUL\_AC\_Zhaga\_COB)  
Lamps: 1 x SEOUL\_AC\_Zhaga\_COB

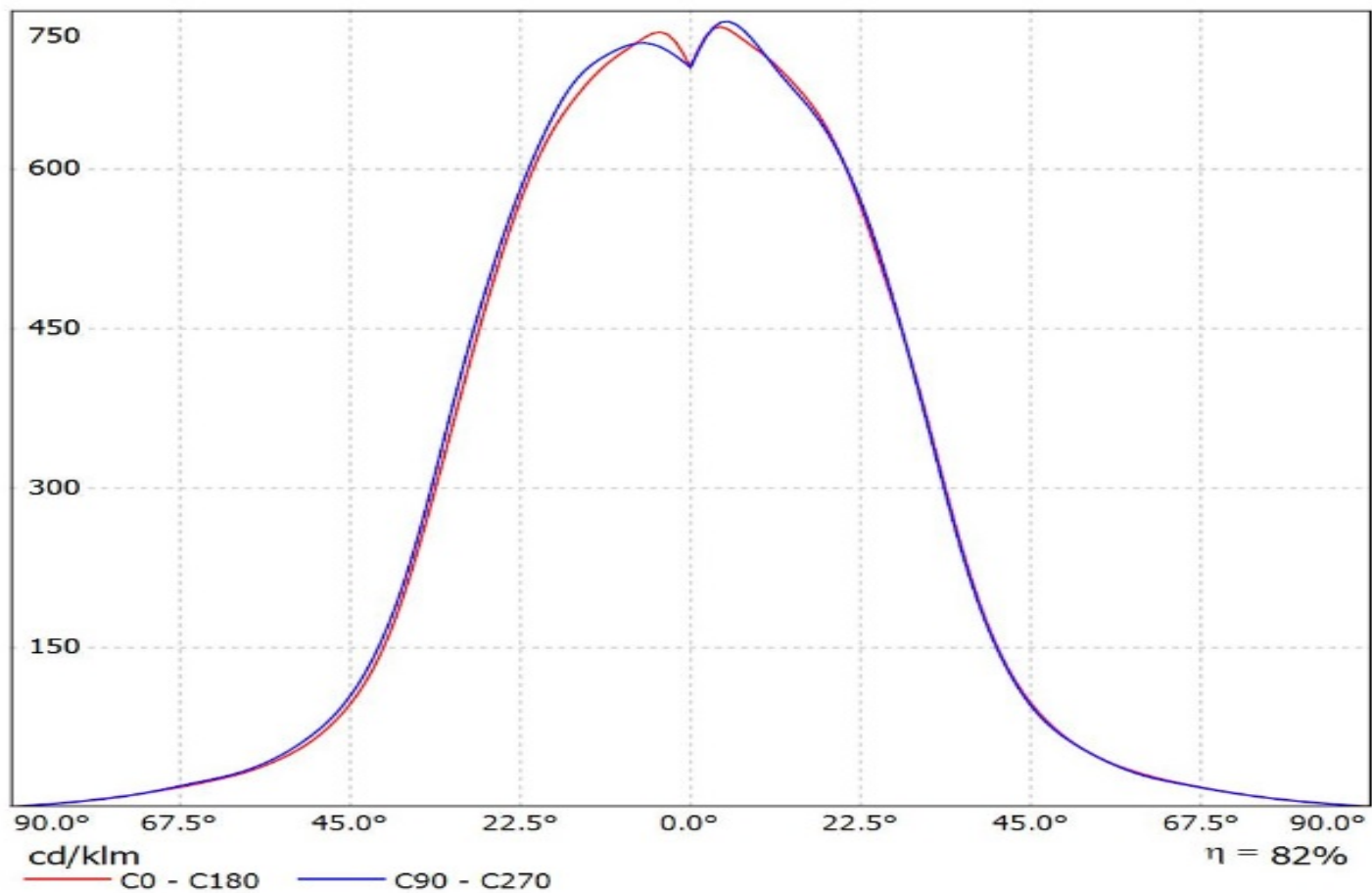


Luminaire: Ledil FN15387\_RONDA-WWW\_(MJT\_30W\_Les14,5)

Lamps: 1 x Seoul\_MJT\_30W\_Les14,5mm\_(SAWx1566A)\_1328.6lm@250mA\_P=8.24025W\_I=0.25A

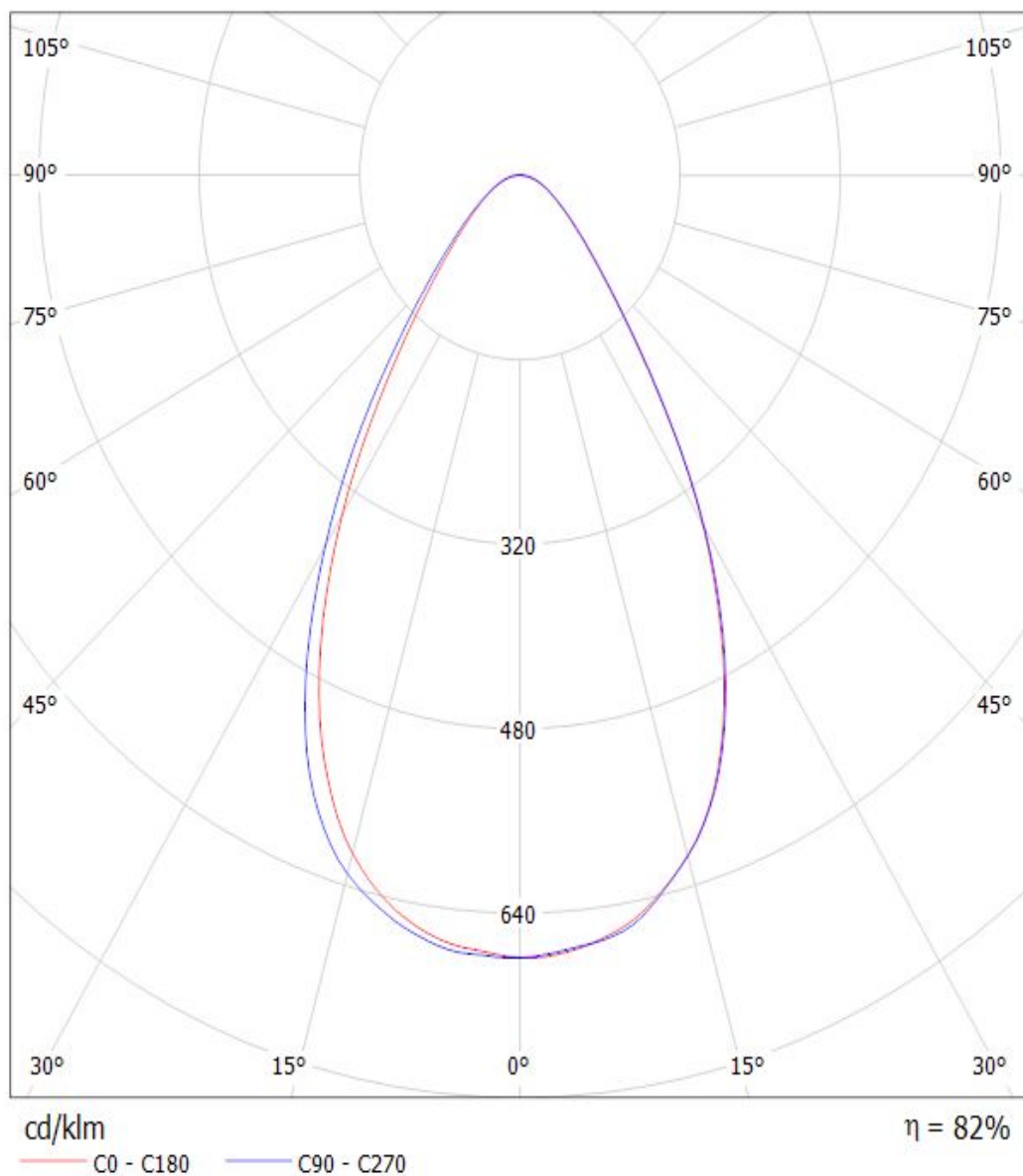


Luminaire: Ledil Oy FN15387\_RONDA-WW\_(SLE\_G6\_LES15)\_(2213254-2+\_2213194-1)\_SIMULATED  
Lamps: 1 x Tridonic SLE G6 LES15 + Tyco Electronics 2213254-2 + TE 2213194-1 Optic clip



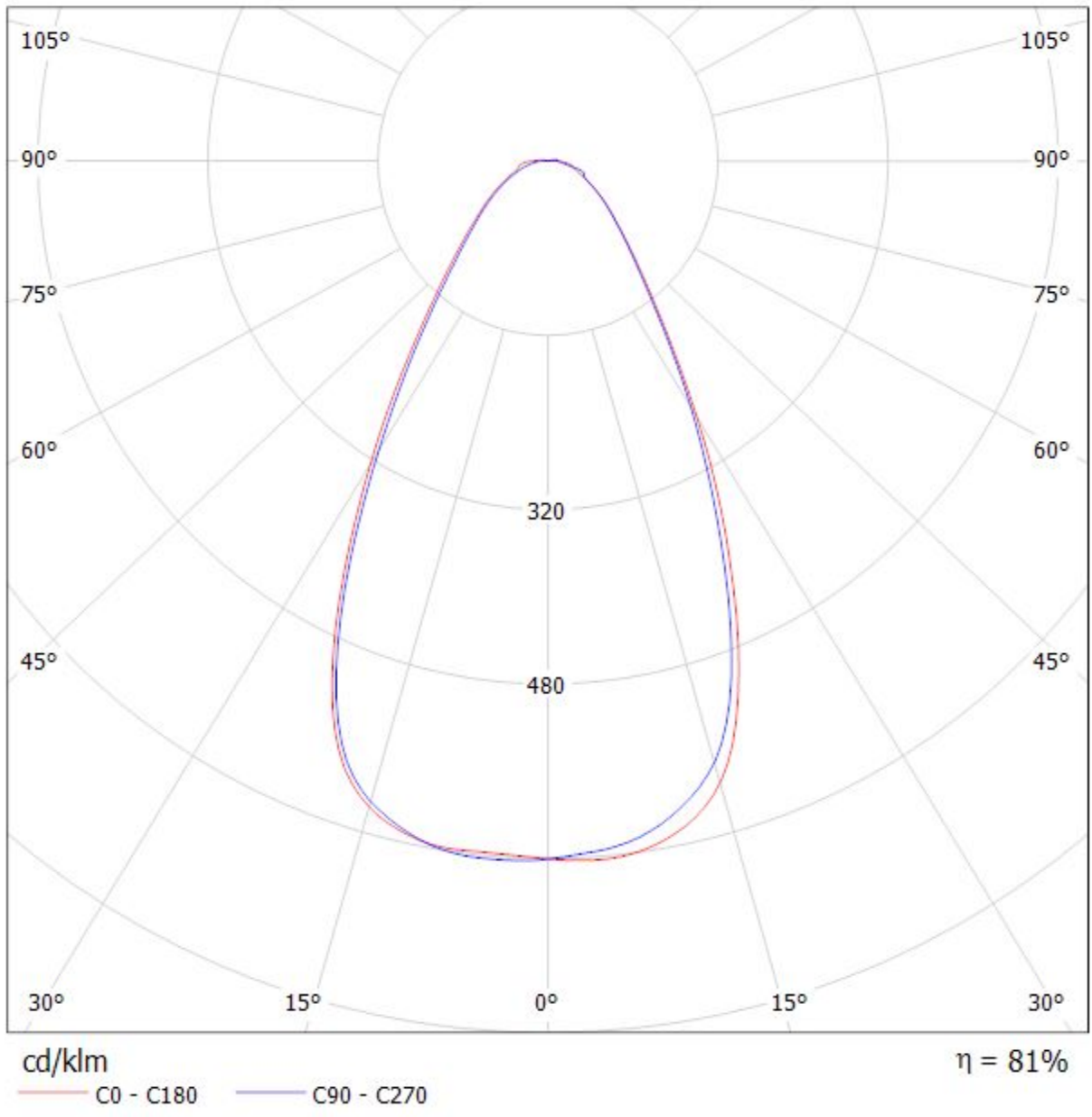
Luminaire: LEDiL Oy FN15387\_RONDA-WW\_(V13\_Gen7)+TE

Lamps: 1 x Bridgelux\_V13\_Gen7\_(BXRE-30E2000-B\_+TE\_2213254-2+TE\_2213194-1)\_1295.55lm@250mA\_P=8.30985W\_I=0.25A



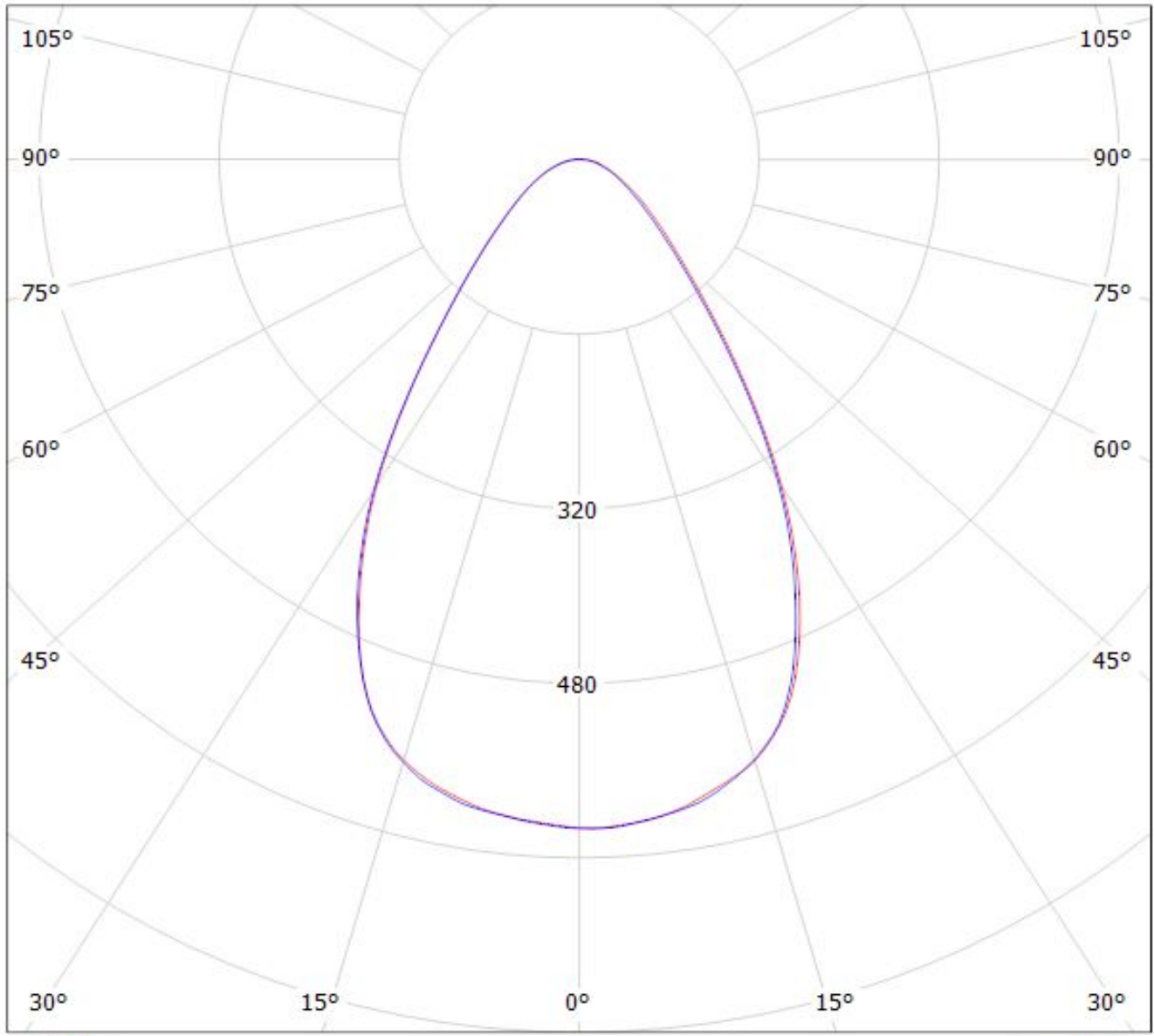
Luminaire: LEDiL Oy FN15387\_RONDA-WW\_(NFDLJ130B+IDEAL)

Lamps: 1 x Nichia\_NFDLJ130B\_+50-2103NC\_+50-2100AN\_1422.52lm@250mA\_CCT=4000K\_P=8.91686W\_I=0.25A



Luminaire: Ledil FN15387\_RONDA-WW\_(SLM\_G5\_LES\_15\_+TE\_2213194-1)

Lamps: 1 x Philips\_SLM\_G5\_LES\_15\_+TE\_2213194-1\_1275.04lm@250mA\_P=8.2035W\_I=0.25A



cd/klm

$\eta = 83\%$

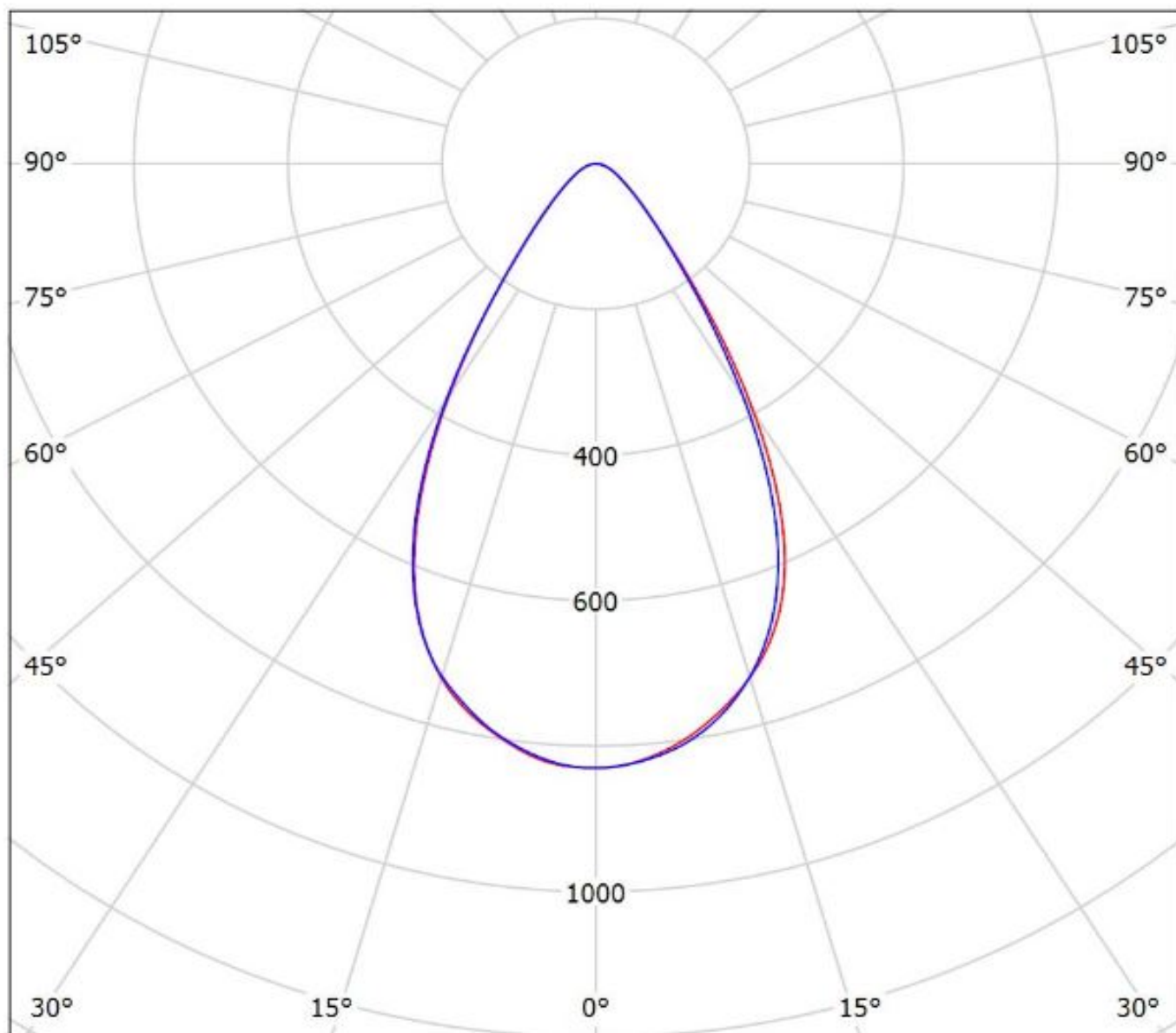
— C0 - C180

— C90 - C270



Luminaire: Ledil FN15387\_RONDA-WW\_(LC040C+TE)

Lamps: 1 x Samsung\_LC040C+\_2213382-2+\_2213194-1\_1194.16lm@250mA\_CCT=4000K\_P=8.137W



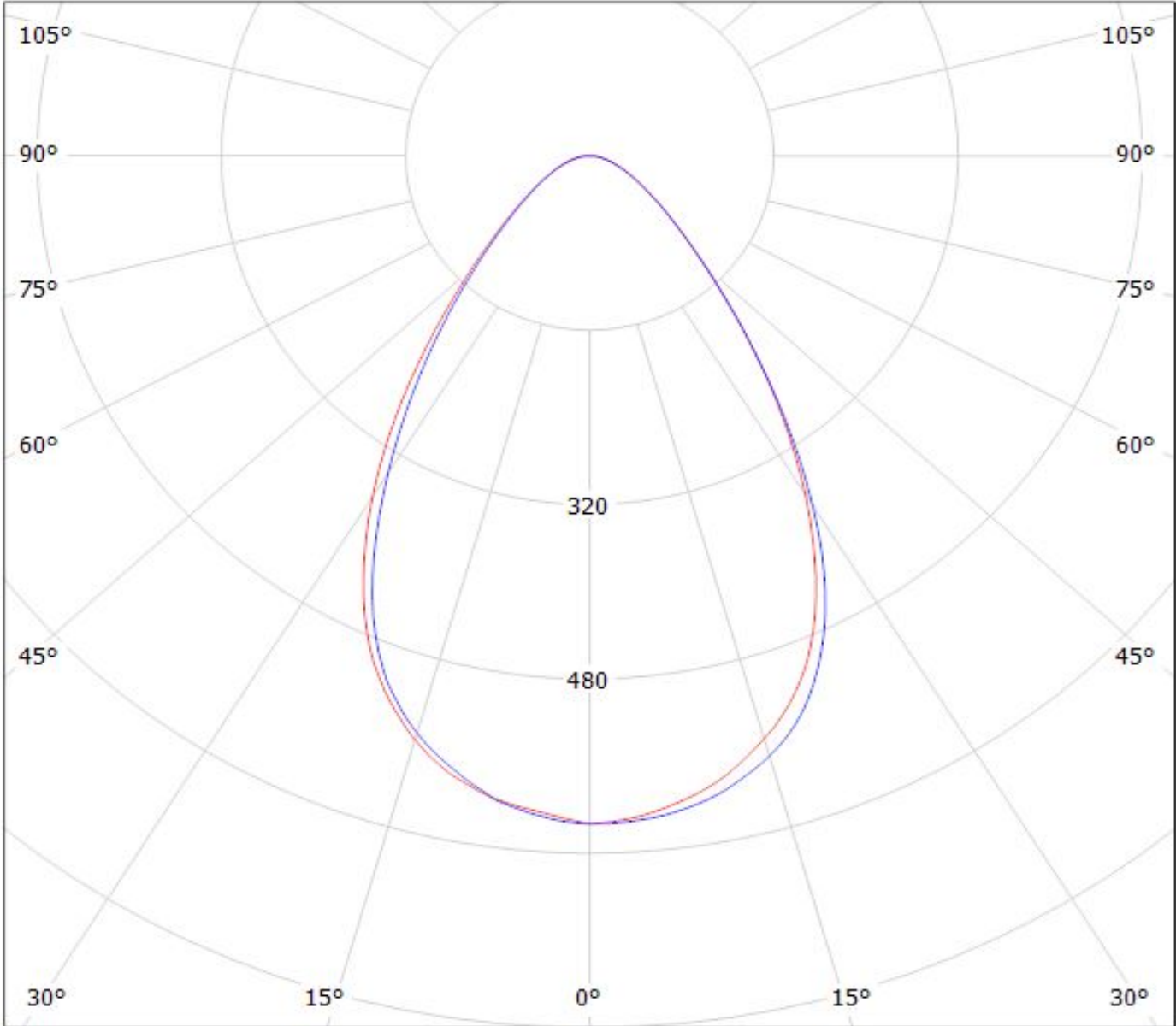
cd/klm

— C0 - C180 — C90 - C270

$\eta = 86\%$

Luminaire: Ledil FN15387\_RONDA-WW\_(SEOUL\_AC\_Zhaga\_COB)

Lamps: 1 x SEOUL\_AC\_Zhaga\_COB



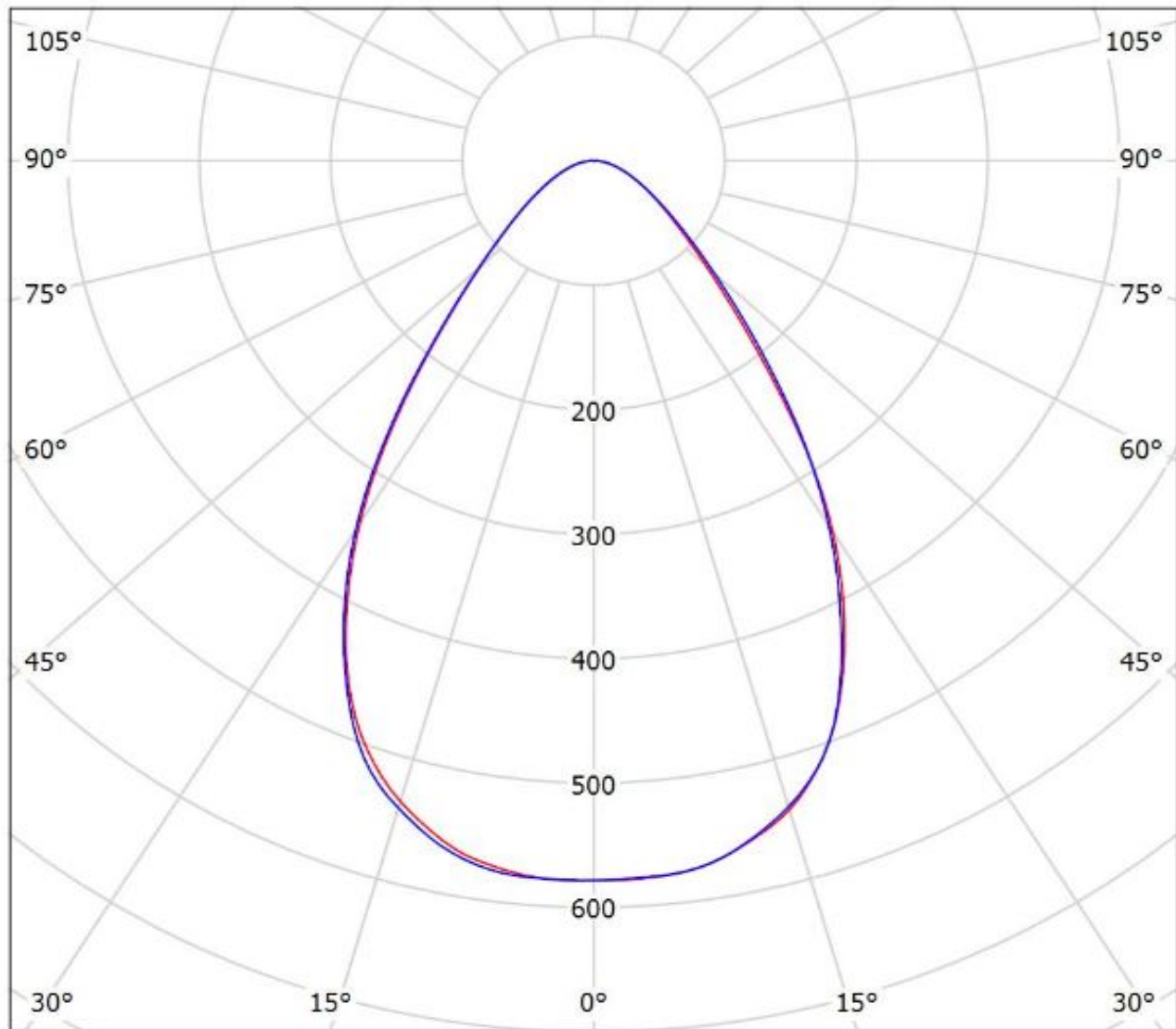
cd/klm

$\eta = 84\%$

— C0 - C180    — C90 - C270

Luminaire: Ledil FN15387\_RONDA-WW\_(MJT\_30W\_Les14,5)

Lamps: 1 x Seoul\_MJT\_30W\_Les14,5mm\_(SAWx1566A)\_1328.6lm@250mA\_P=8.24025W\_I=0.25A



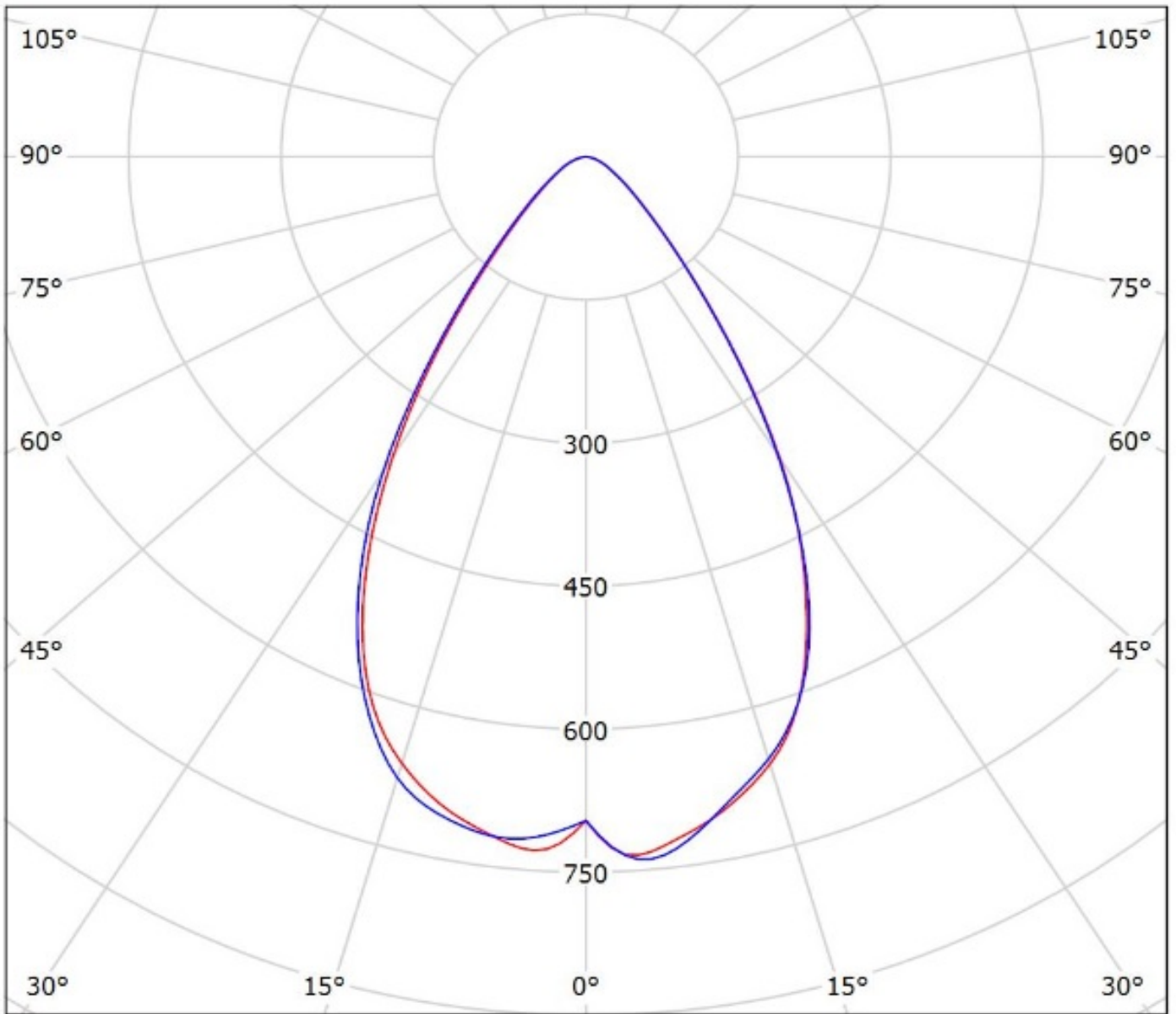
cd/klm

— C0 - C180

— C90 - C270

η = 80%

Luminaire: Ledil Oy FN15387\_RONDA-WW\_(SLE\_G6\_LES15)\_(2213254-2 + 2213194-1)\_SIMULATED  
Lamps: 1 x Tridonic SLE G6 LES15 + Tyco Electronics 2213254-2 + TE 2213194-1 Optic clip



cd/klm

— C0 - C180 — C90 - C270

$\eta = 82\%$

**NOTE: The typical divergence will be changed by different color, chip size and chip position tolerance. The typical total divergence is the full angle measured where the luminous intensity is half of the peak value.**

### **GENERAL INFORMATION**

- Product series especially designed & optimized for series of LEDs.
- Special care taken to make light distribution as uniform as possible.

Note! Due to use of high power COB's with this product, special attention to proper thermal design is highly recommended. LEDiL has no liability for direct, indirect or consecutive damages arising from the LEDiL products being used outside of the recommended temperature range.