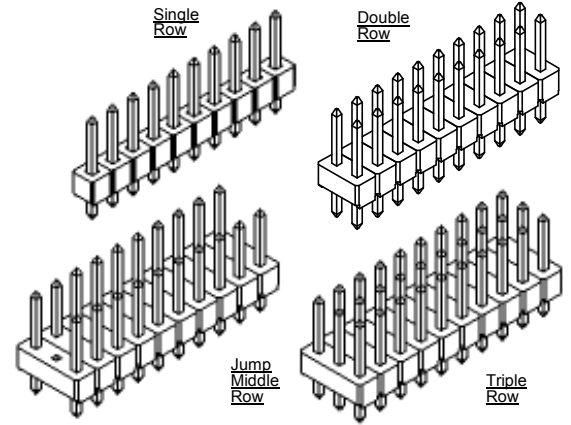
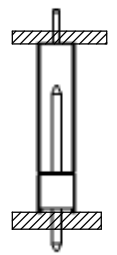
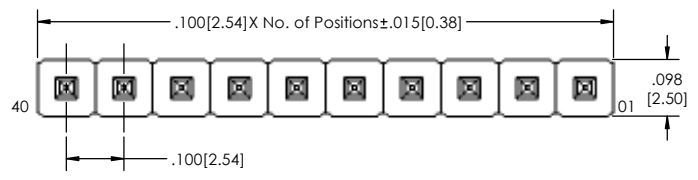
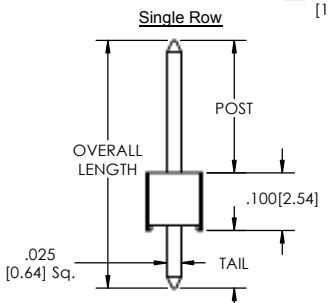
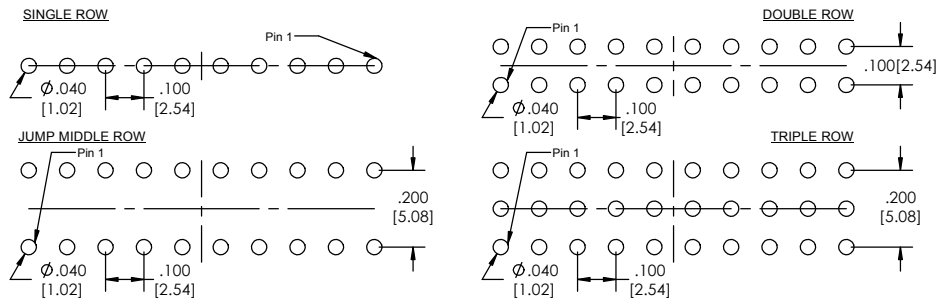


Recommended P.C. Board Layout
SCALE 4:1



TSHC-1 [XX] - [X] - [XXX] - [XX] - [XXX] - [XX] - [XX] - [XXX] - [X] - [LF]
(A) (B) (C) (D) (E) (F) (G) (H) (I) (J)

- A. Pins Per Row - 1 through 40
B. Row Specification
- S= Single
- D= Double
- J= Jump Middle
- T= Triple
C. Desired Tail Length
- If Tail is not specified then
- Tail(T) = Overall Length(L) - Post(P) - .100[2.54]
D. Pin Options
- See box below
E. Desired Post Height
- Please specify
- e.g. .230 = 230
F. Plating Options
- See Plating Options below
G. Lock Tight "LT" (Optional)
- Leave blank if not needed
- LT= With
H. Polarized Position
- Leave blank if not needed
- If required, specify empty pin position
- e.g. 012 for Pin 12
I. Every Other Pin (Optional)
- Leave blank if not required
J. Lead Free

- Mates With:
BCSS SMCB
BSSH SSHQ
BSSHC SSHQR
BSSQ SSHR
BSSQC SSSH
BSSQM SSSHSM
LBCSS
LSWSS

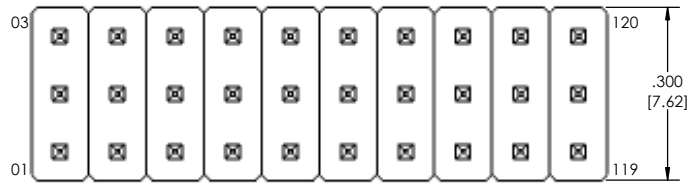
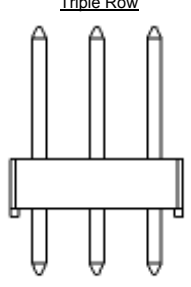
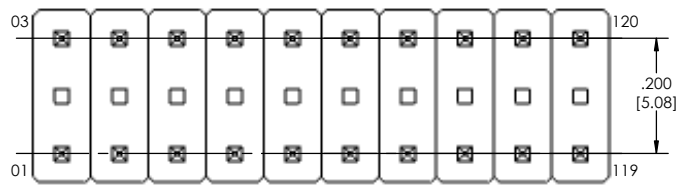
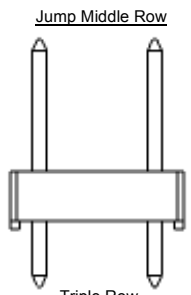
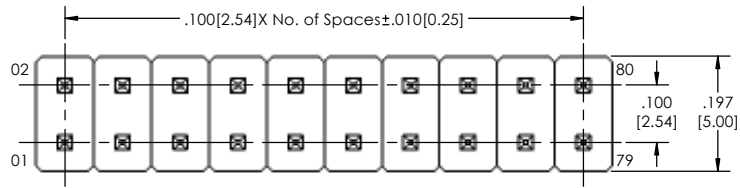
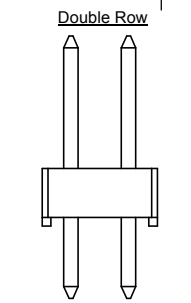
Plating options	
G	-10µ Gold on Contact Area/ Flash on Tail
T	-Matte Tin all Over
GT	-10µ Gold on Contact Area/ Matte Tin on Tail
H	-30µ Gold on Contact Area/ Matte Tin on Tail
F	-Gold Flash over Entire Pin
FT	- Gold Flash on Contact Area/ Matte Tin on Tail

Post Height Options		
Overall Length	Max. Post Height	Option
0.300[7.62]	0.110[2.79]	02
0.335[8.51]	0.145[3.68]	03
0.430[10.92]	0.240[6.10]	06
0.445[11.30]	0.255[6.48]	08
0.456[11.58]	0.266[6.76]	10
0.480[12.19]	0.290[7.37]	11
0.530[13.46]	0.340[8.64]	14
0.630[16.00]	0.440[11.18]	16
0.730[18.54]	0.540[13.72]	20
0.830[21.08]	0.640[16.26]	22
0.930[23.62]	0.740[18.80]	24
1.030[26.16]	0.840[21.34]	26
1.130[28.70]	0.940[23.88]	28
1.230[31.24]	1.040[26.42]	30
1.330[33.78]	1.140[28.96]	32
1.430[36.32]	1.240[31.50]	34
1.530[38.86]	1.340[34.04]	36

Specifications:
Current Rating: 3.0 Ampere
Insulation Resistance: 1000M Ohms Min.
Dielectric Withstanding: 600V AC
Contact Resistance: 20M Ohms Max.
Operation Temperature: -40°C to +105°C
Max. Process Temperature
Peak: 260°C up to 20 secs.
Process: 230°C up to 60 secs.
Wave: 260°C up to 6 secs.
Manual Solder: 350°C up to 5 secs.

Materials:
Contact Material: Phosphor Bronze
Insulator Material: Nylon 6T
Plating: Au or Sn over 50µ" (1.27) Ni
Tails may be clipped to achieve specific dimensions.

Products cut to specific sizes are uncancellable/ nonreturnable.
Parts are subject to change without notice.



PROPRIETARY AND CONFIDENTIAL
THE INFORMATION CONTAINED IN THIS DRAWING IS THE SOLE PROPERTY OF Major League Electronics. ANY REPRODUCTION IN PART OR AS A WHOLE WITHOUT THE WRITTEN PERMISSION OF Major League Electronics IS PROHIBITED.

UNLESS OTHERWISE SPECIFIED:		NAME	DATE		
DIMENSIONS ARE IN INCHES		DRAWN	01/08/14		
TOLERANCES:		CHECKED	GWE 01/08/14		
ONE DECIMAL ±.100		ENG APPR.			
TWO DECIMAL ±.010		MFG APPR.		ADDRESS:	
THREE DECIMAL ±.005				2533 Centennial Blvd.	
FOUR DECIMAL ±.002				Jeffersonville, IN 47130	
NEXT ASSY	USED ON	FINISH		Phone: 812-670-4174	
APPLICATION	DO NOT SCALE DRAWING			Fax: 812-670-4175	
				E-Mail: mle@mlelectronics.com	
TITLE: TSHC-1SERIES				SIZE DWG. NO.	REV B
SCALE: 6:1				SHEET 1 OF 1	