

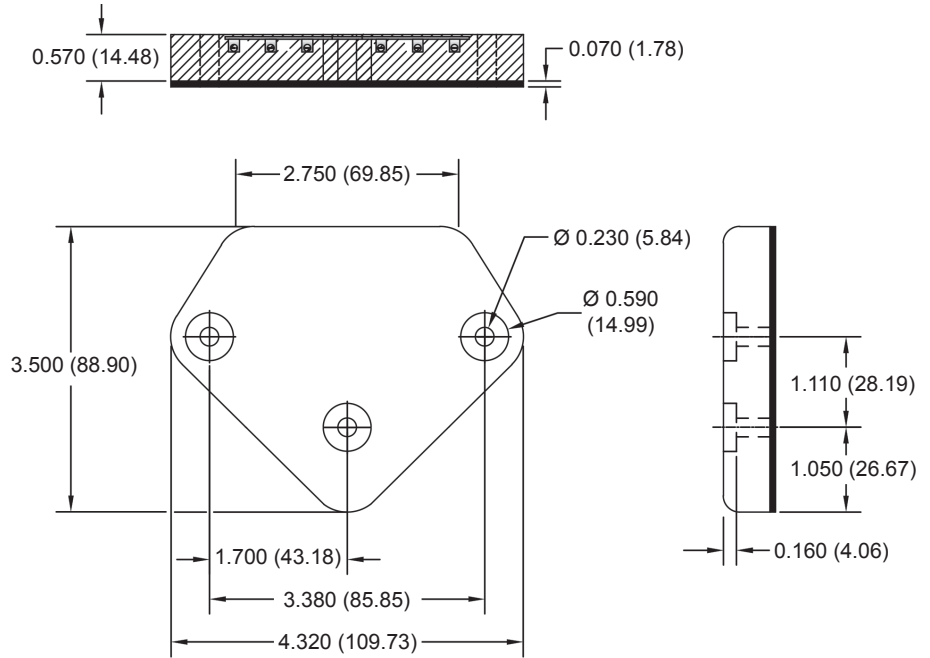
Part Number: RBF-40T
Flashing Safety Light - Tilt Activated, Fully Sealed
Product Datasheet



PICTURE



DIMENSIONS



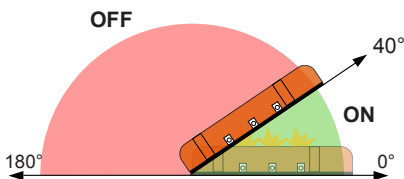
FEATURES

- Robust New Slim Design
- Vibration Resistant
- No Mechanical Parts
- Plug and Play Device
- 3 Bright Pulses Every Flash

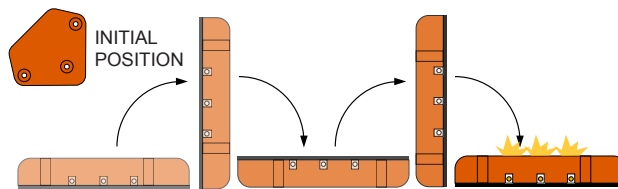
NOTE: Flasher can be mounted on either side of the lift gate after activation.

Drawings not to scale.
 All dimensions in mm nominal.

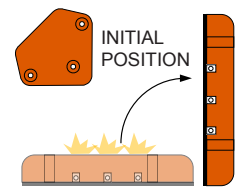
OPERATION



ACTIVATION



Rotate Flasher 90° 4X (from initial position) to Turn ON



Rotate Flasher 90° to Turn OFF

SPECIFICATION

Operation Angle	Degree	40° Tilt (see above for activating flasher)
Battery Life		Aprox 3 years (1 hour a day, under normal conditions)
Number of LED's		6
Operating Temperature	Celsius	-20° to 85°
Flash Rate	P/min	35 / min (3 bright pulse every flash, duration 1/2 second)
Battery Voltage (non replaceable)	Volts	3.6
Fixing Holes		3 x 5.8 mm
IP Rating		68
Material		Resin filled Polycarbonate Shell

As part of the company policy of continued product improvement, specifications may change without notice. Our sales office will be pleased to help you with the latest information on this product range and the details of our full design and manufacturing service. All products are supplied to our standard conditions of sale unless otherwise agreed in writing.

Phone: (1) 973 777 6900 **www.comus-intl.com** **Fax: (1) 973 777 8405**

Belgium: + 32 (0)12 390400 - Comus Europe Ltd (Assemtech) UK: +44 (0) 1255 862236 - Germany: +49 (0)911 923 15 943 - Netherlands: +31(0)45 54 39 345 - India: +(91) (44) 43219090

©2019 Copyright Comus International, 454 Allwood Road, Clifton NJ 07012, USA