

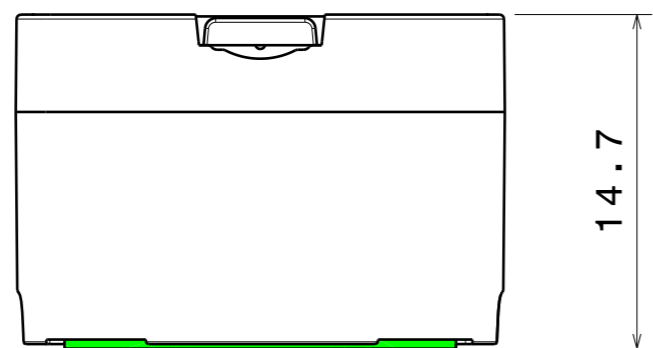
DETAILS

Product Number	CA12816_LXP2-RS2
Family	Leila
Type	Assembly
Color	black
Diameter	21,6 mm
Height	14,6 mm
Style	round
Optic Material	PMMA
Holder Material	
Fastening	tape
Status	production ready
ROHS Compliant	Yes
Date Updated	18/10/2013

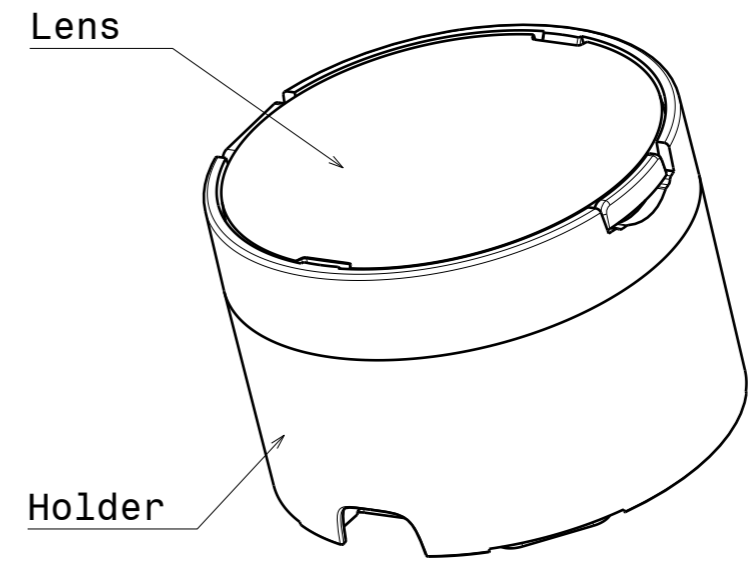


OPTICAL PROPERTIES

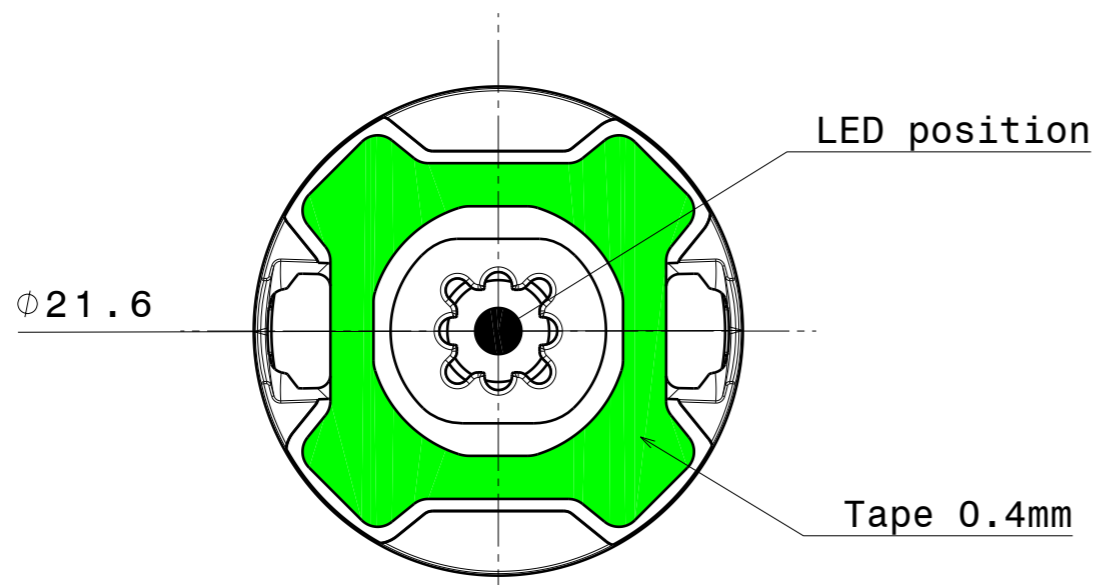
LED	Viewing Angle	Light Beam	Efficiency	cd/lm	Connector
XT-E	8 deg	RS2-class	92 %	15.600	-
XP-G2	11 deg	RS2-class	90 %	19.400	-
XP-E2	8 deg	RS2-class	90 %	29.700	-
XP-L HI	10 deg	RS2-class	90 %	18.400	-
Z8Y22P	sim: 12	RS2-class	sim: 92 %	sim: 12.750-	



Front view
Scale: 3:1



Isometric view
Scale: 3:1



Bottom view
Scale: 3:1

INDEX	DESCRIPTION	MATERIAL	COLOUR
1	Lens	PMMA	
2	Holder	PC	black
3	Tape	PU 2-sided foam tape	adhesive

Tolerances if not otherwise shown
According to DIN ISO 2768-1
Linear measures:
Up to 30mm class M, otherwise class C.
According to DIN ISO 2768-2
Form and position: class L

LEDiL LediL Oy
Salorankatu 10
FIN 24240 SALO
Finland

THIRD ANGLE PROJECTION:

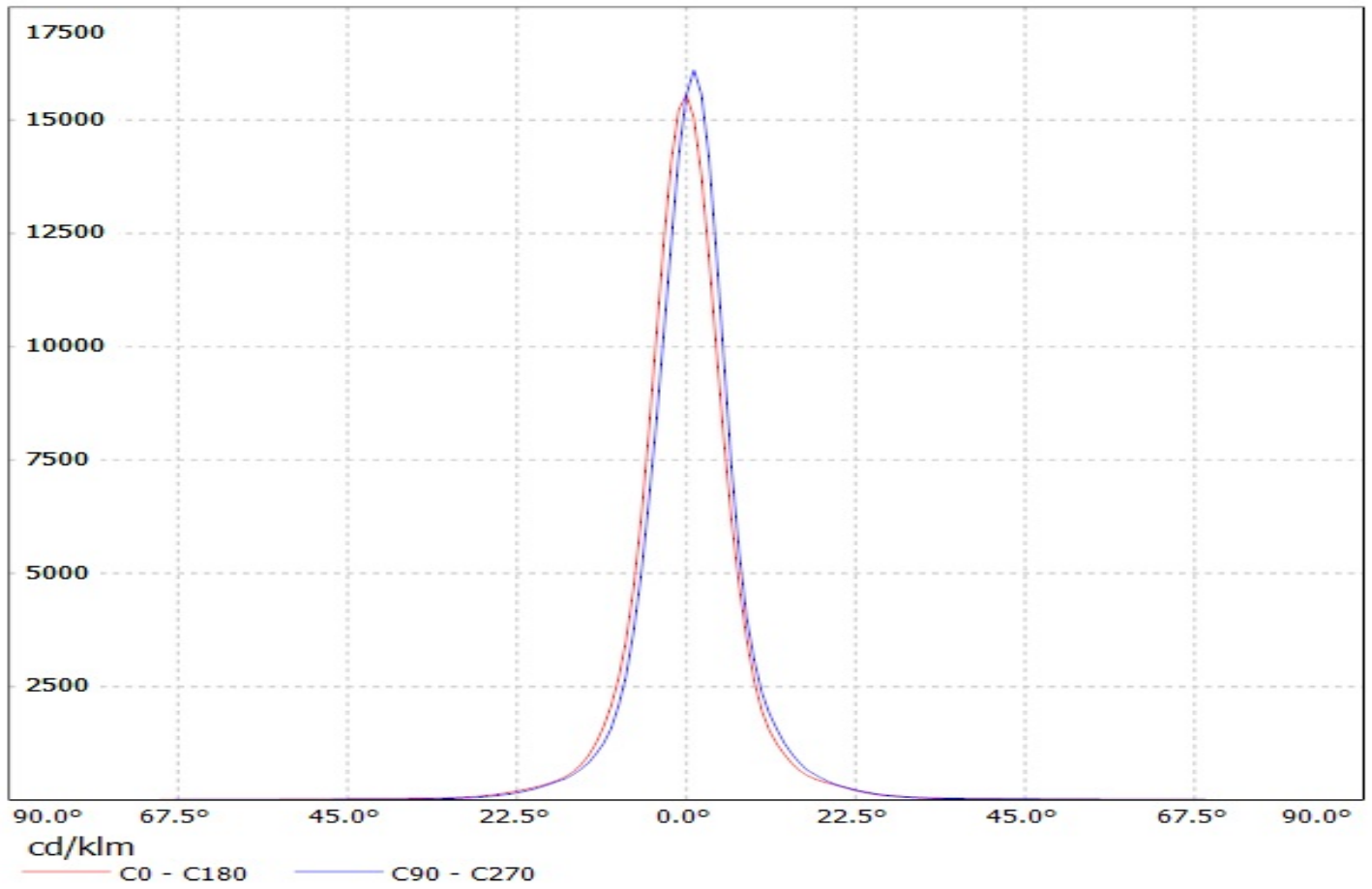
DRAWING TITLE
Datasheet_LXP2-Series

This drawing is the property of LEDiL Oy. It may not be reproduced, copied or communicated without a written agreement with LEDiL Oy.

SIZE **A3** PART NUMBER -

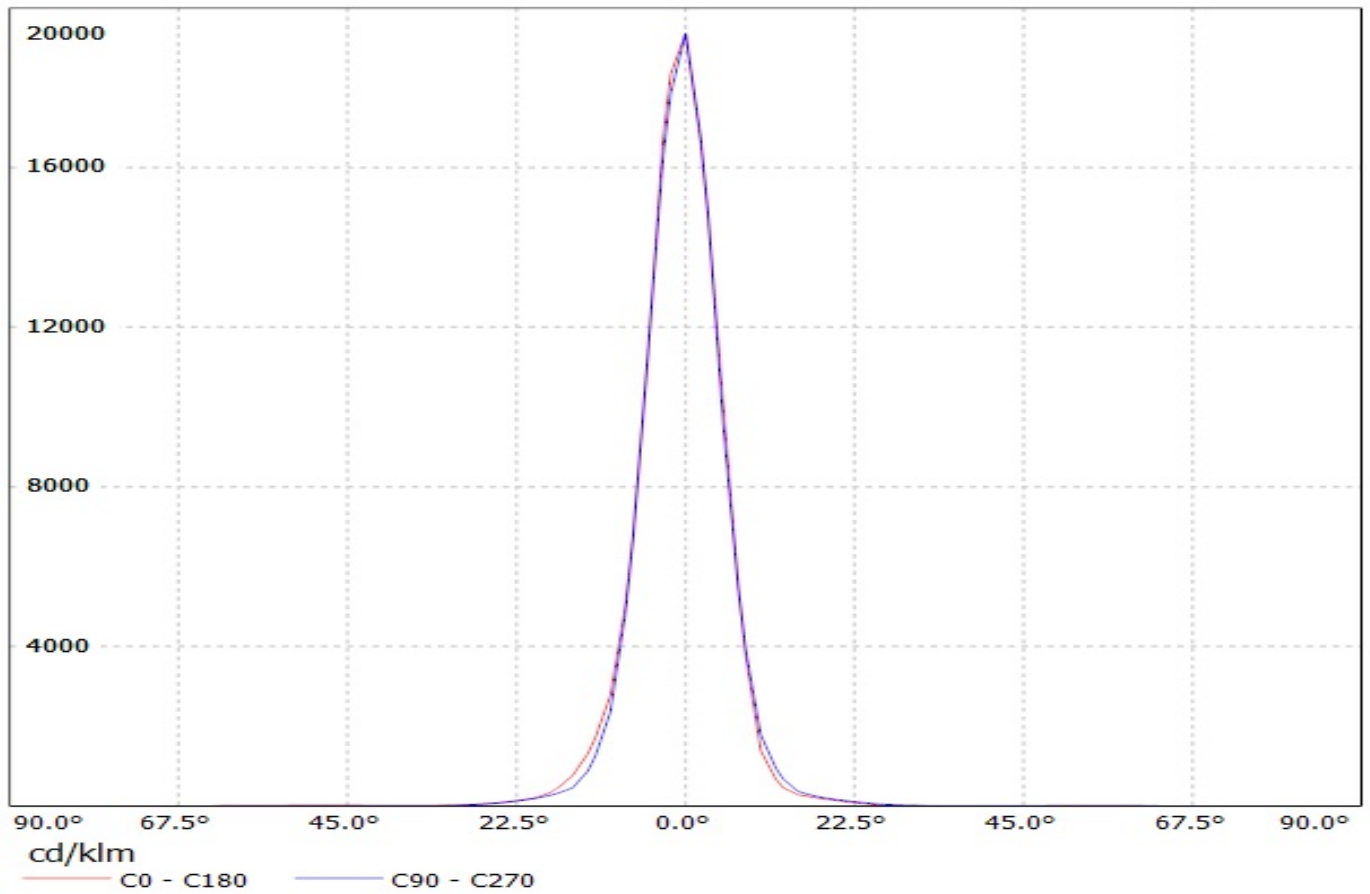
SCALE **3:1** WEIGHT - SHEET **1/1**

Luminaire: Ledil Oy CA12816_LXP2-RS2_(XT-E) Efficiency=92%
Lamps: 1 x Cree XT-E (AWT) 250mA 113lm

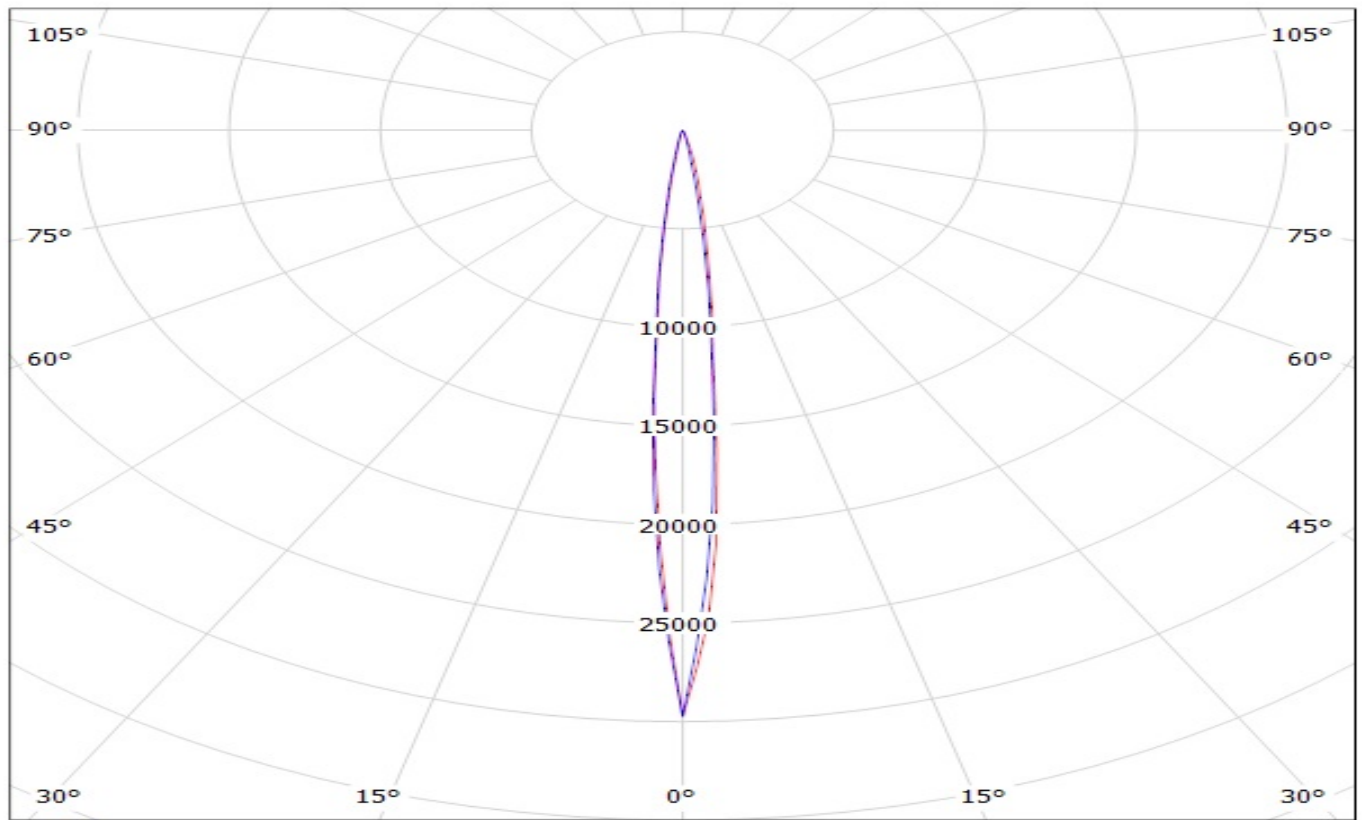


Luminaire: LEDil Oy CA12816-LXP2-RS2_(XP-G2) Efficiency=90%

Lamps: 1 x Cree XP-G2 (XPGBWT-L1-0000-00FE4) 102lm @ 250mA CCT=4900K P=0.8W I=250mA



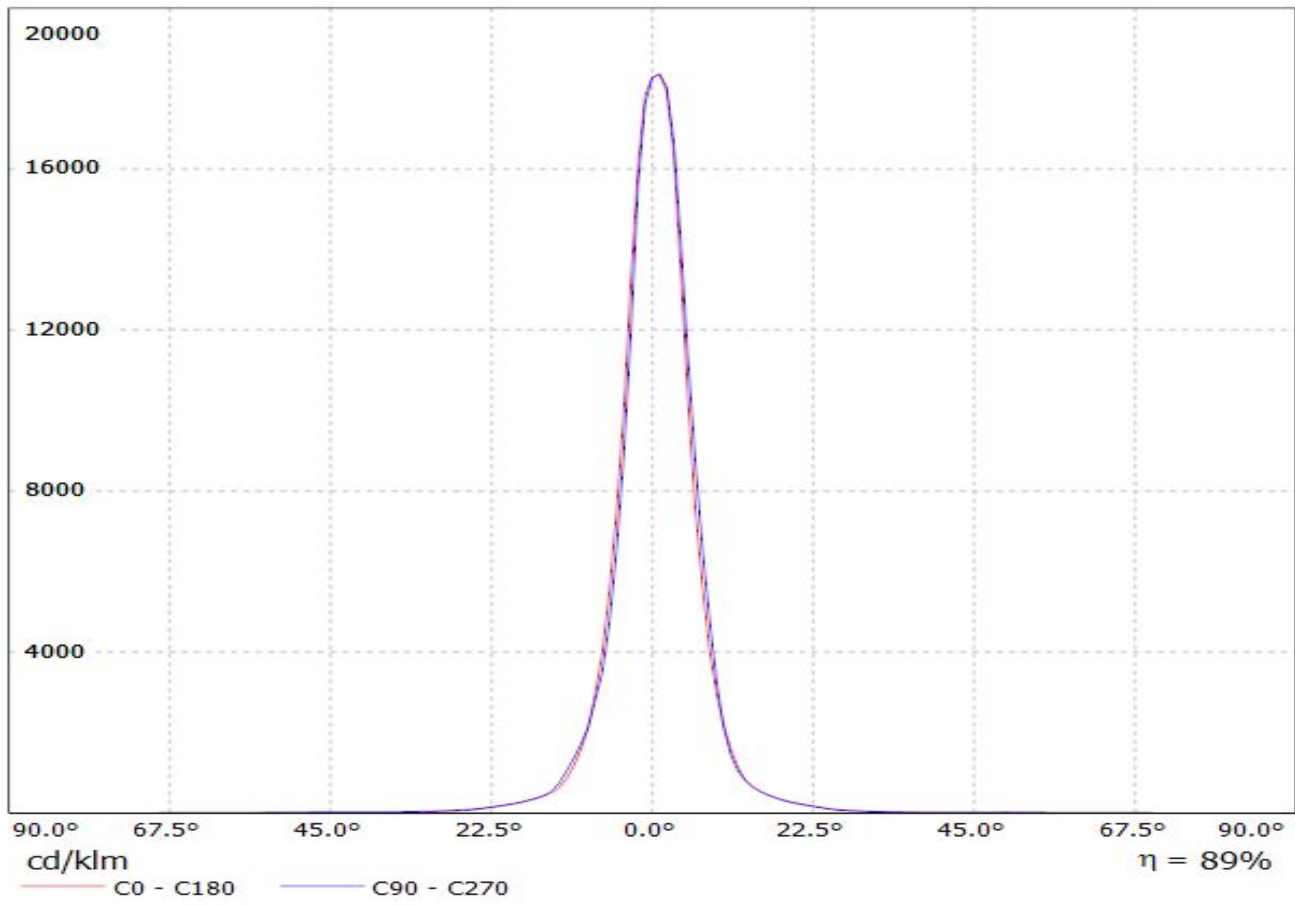
Luminaire: LEDil Oy CA12816_LXP2-RS2_(XP-E2) Efficiency=90%
Lamps: 1 x Cree XP-E2 (92lm @ 250mA) CCT=5500K P=0.8W I=250mA



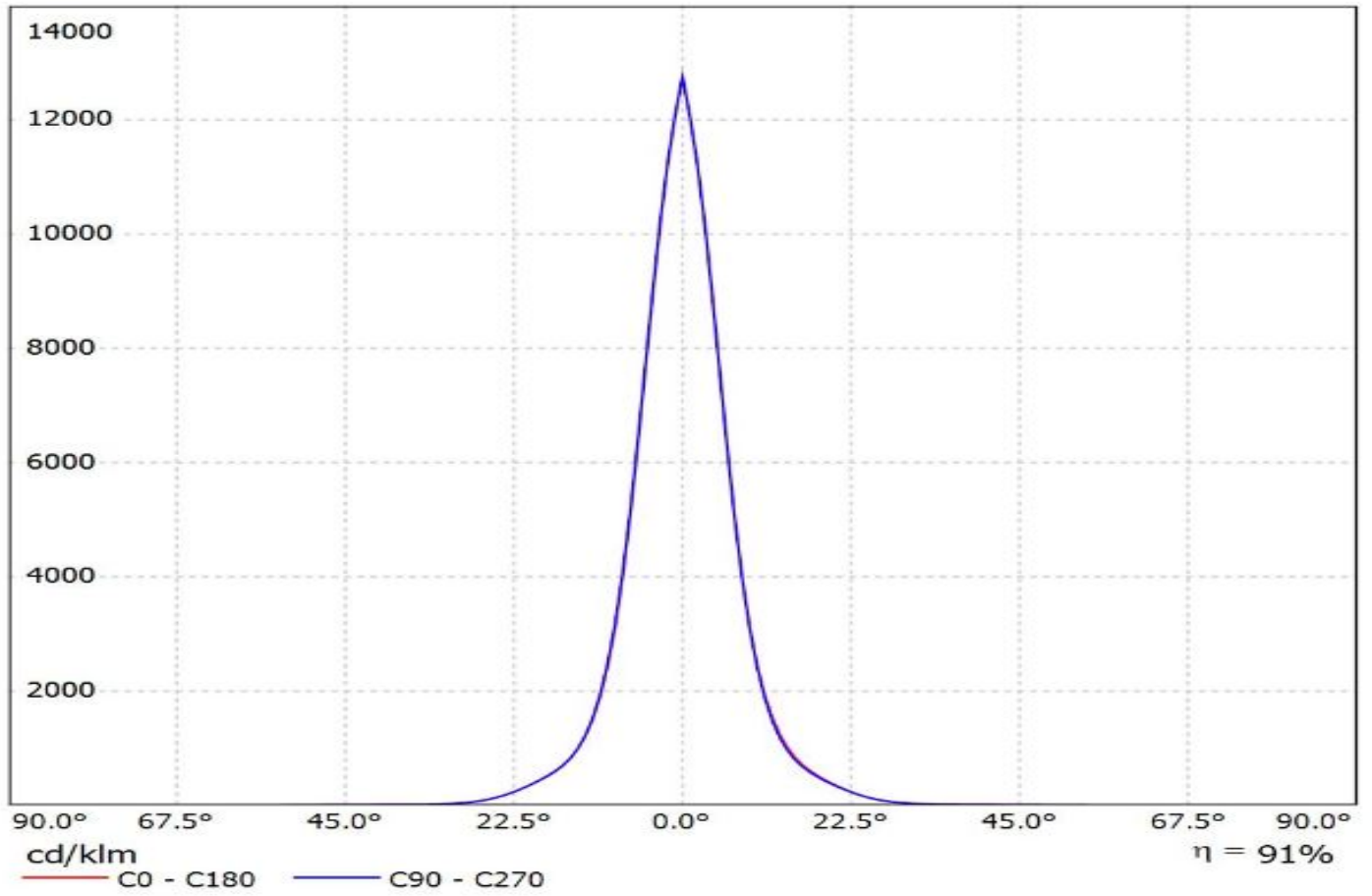
cd/klm
— C0 - C180 — C90 - C270

Luminaire: Ledil CA12816_LXP2-RS2_(XP-L_HI)

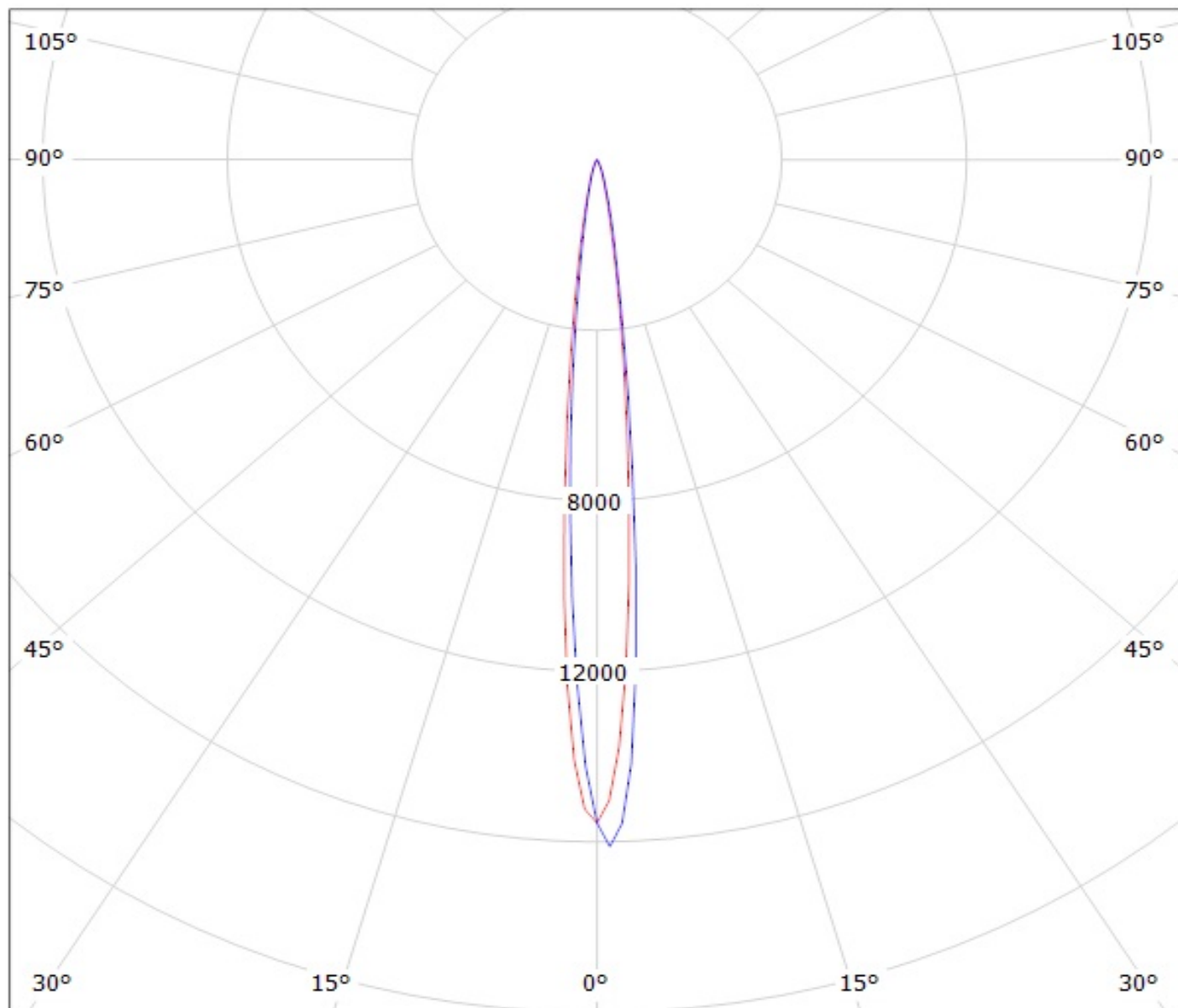
Lamps: 1 x CREE_XP-L_HI_116.971lm@250mA_P=0.75W_I=0.25A



Luminaire: Ledil Oy CA12816_LXP2-RS2_SEOUL_Z8Y22+_SIMULATED
Lamps: 1 x SEOUL Z8Y22 Plus



Luminaire: Ledil Oy CA12816_LXP2-RS2_(XT-E) Efficiency=92%
Lamps: 1 x Cree XT-E (AWT) 250mA 113lm



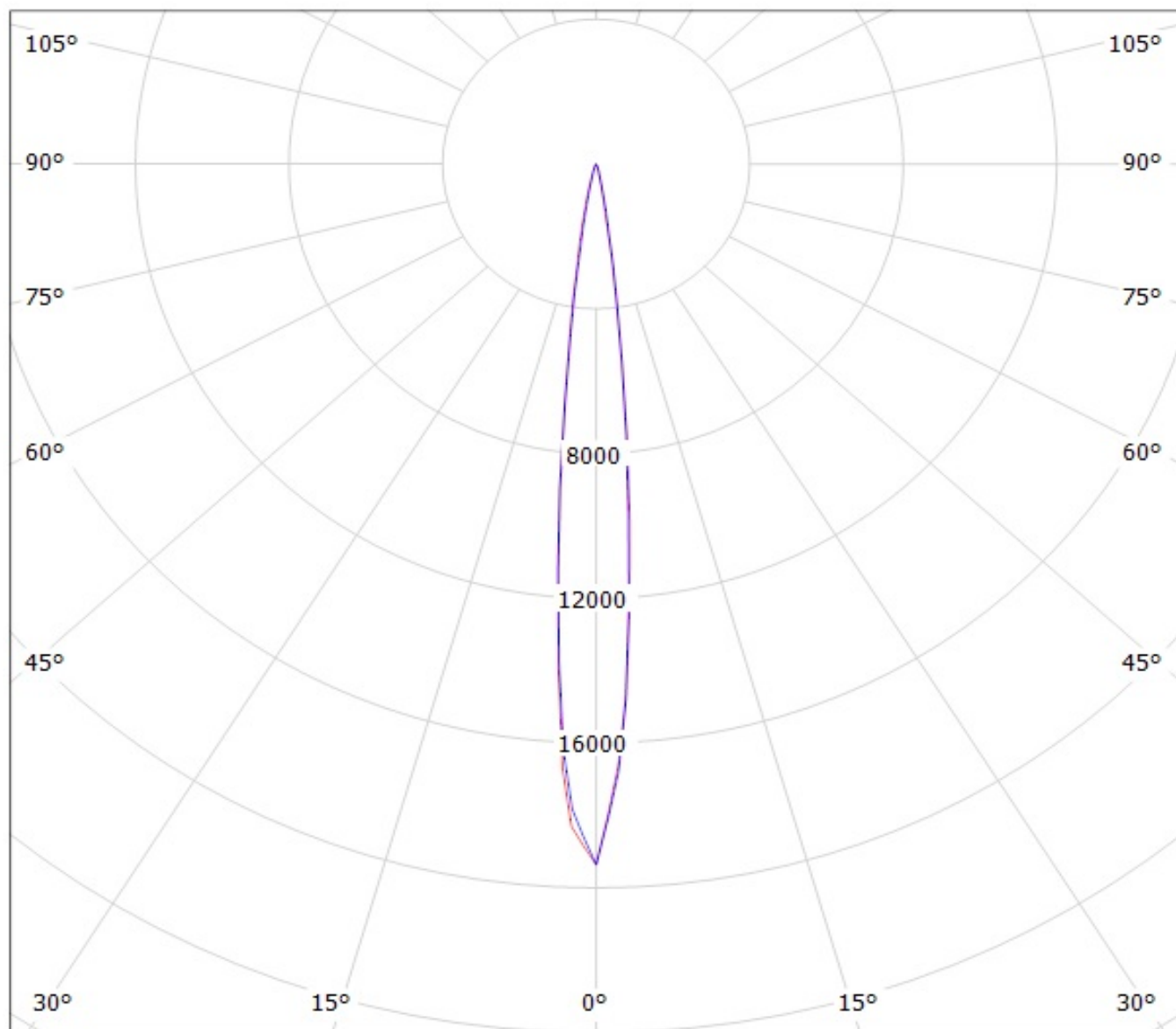
cd/klm

— C0 - C180

— C90 - C270

Luminaire: LEDil Oy CA12816-LXP2-RS2_(XP-G2) Efficiency=90%

Lamps: 1 x Cree XP-G2 (XPGBWT-L1-0000-00FE4) 102lm @ 250mA CCT=4900K P=0.8W I=250mA

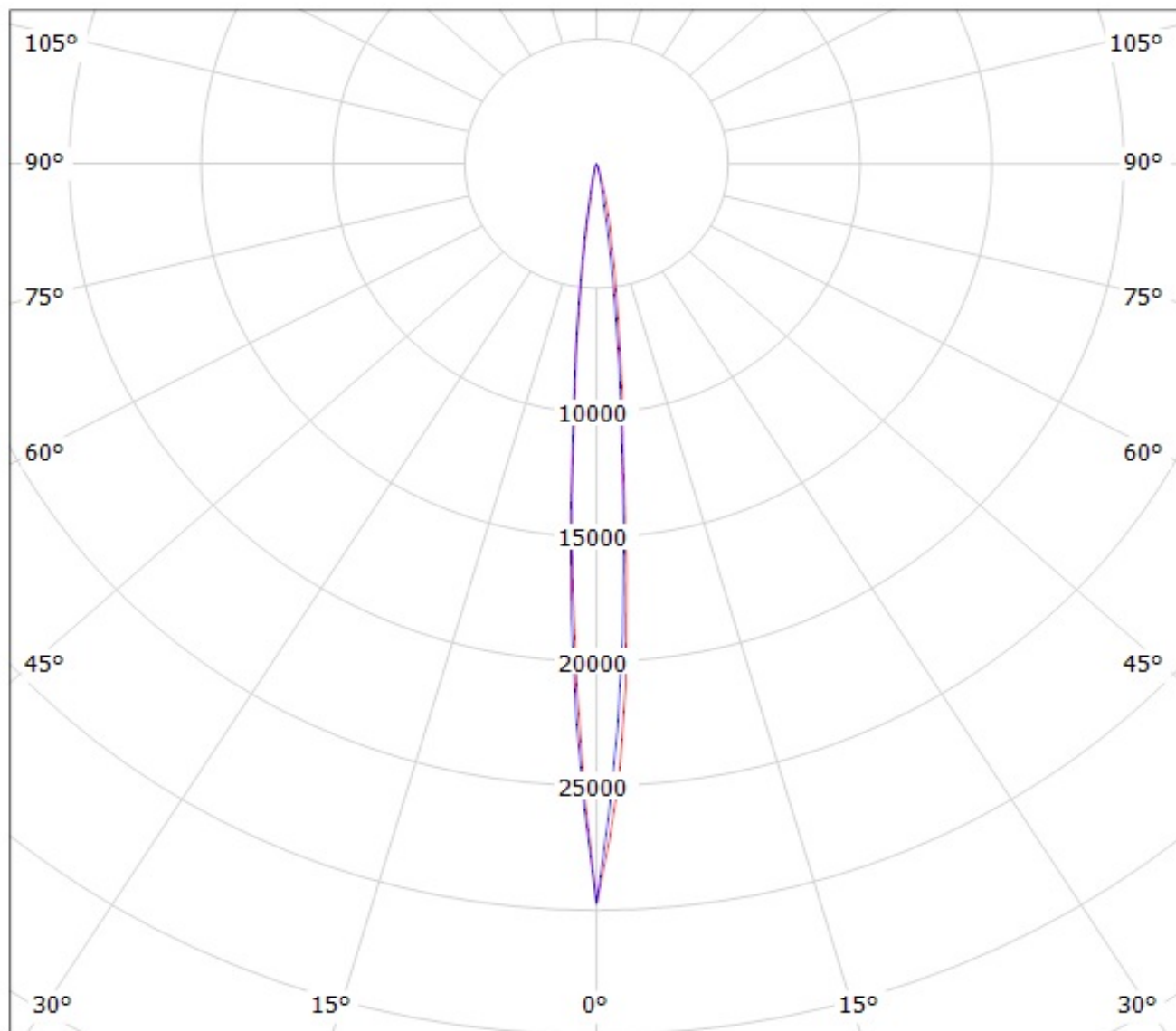


cd/klm

— C0 - C180

— C90 - C270

Luminaire: LEDil Oy CA12816_LXP2-RS2_(XP-E2) Efficiency=90%
Lamps: 1 x Cree XP-E2 (92lm @ 250mA) CCT=5500K P=0.8W I=250mA



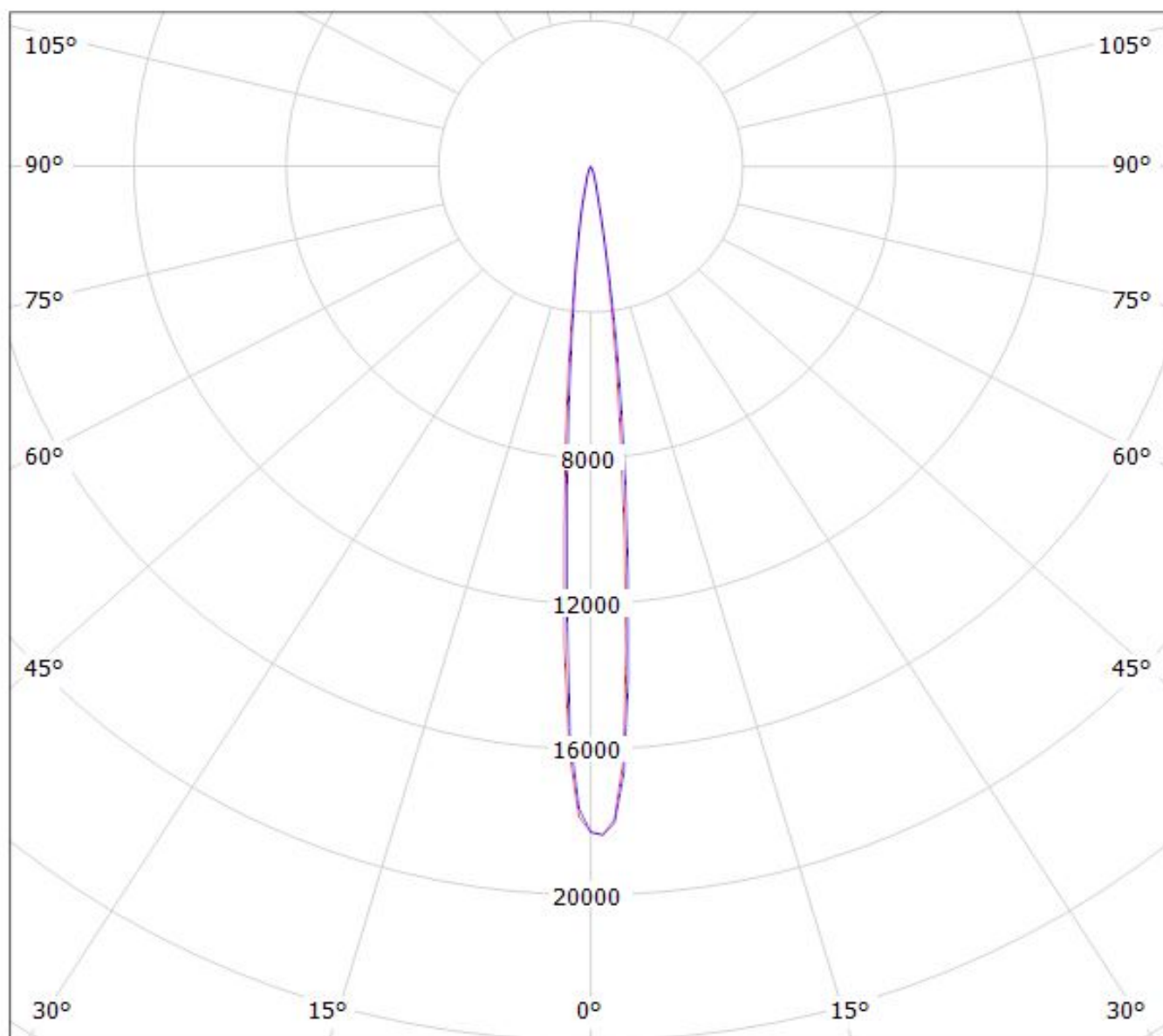
cd/klm

— C0 - C180

— C90 - C270

Luminaire: Ledil CA12816_LXP2-RS2_(XP-L_HI)

Lamps: 1 x CREE_XP-L_HI_116.971lm@250mA_P=0.75W_I=0.25A



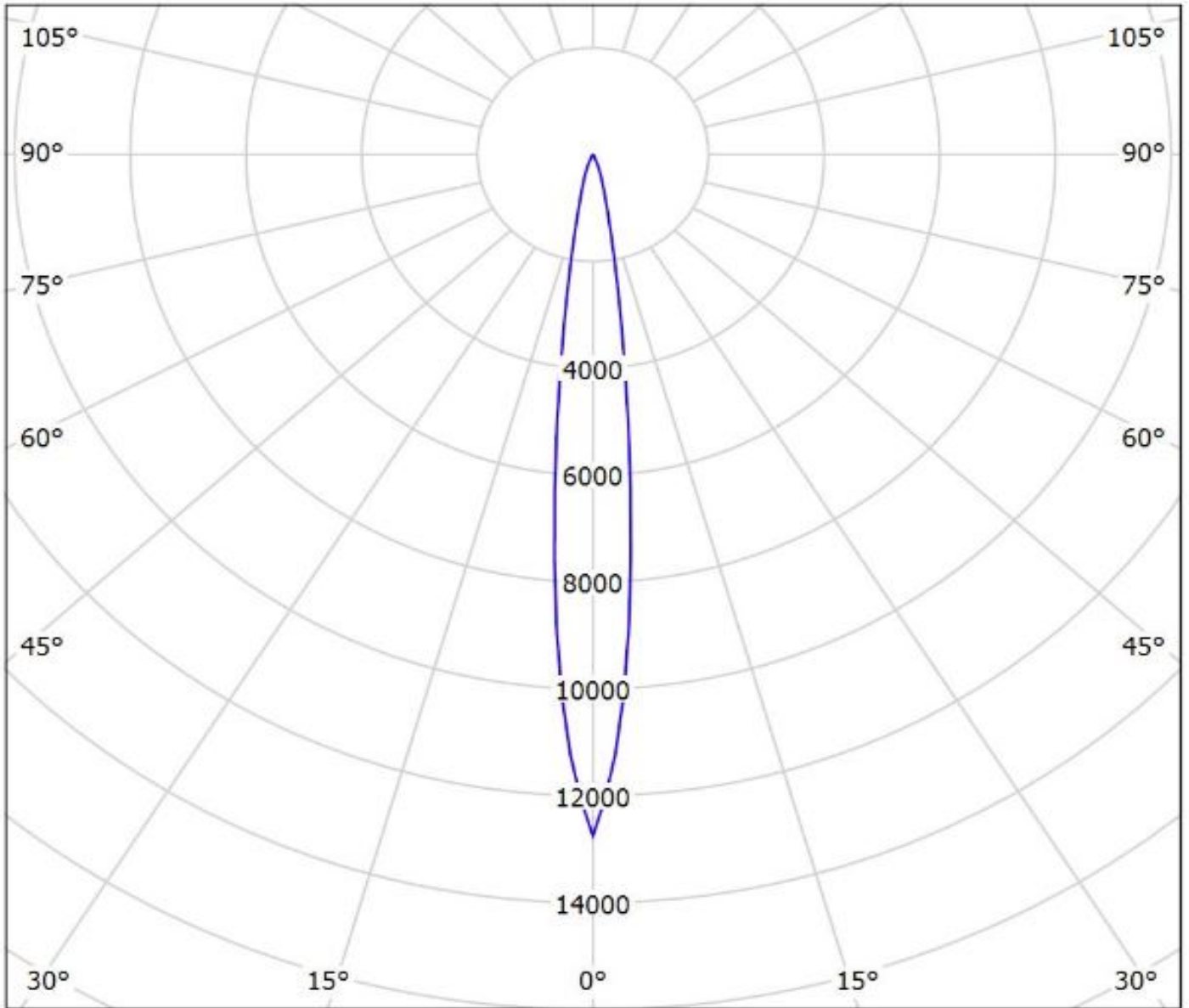
cd/klm

— C0 - C180

— C90 - C270

$\eta = 89\%$

Luminaire: Ledil Oy CA12816_LXP2-RS2_SEOUL_Z8Y22+_SIMULATED
Lamps: 1 x SEOUL Z8Y22 Plus



cd/klm
— C0 - C180 — C90 - C270

$\eta = 91\%$

NOTE: The typical divergence will be changed by different color, chip size and chip position tolerance. The typical total divergence is the full angle measured where the luminous intensity is half of the peak value.