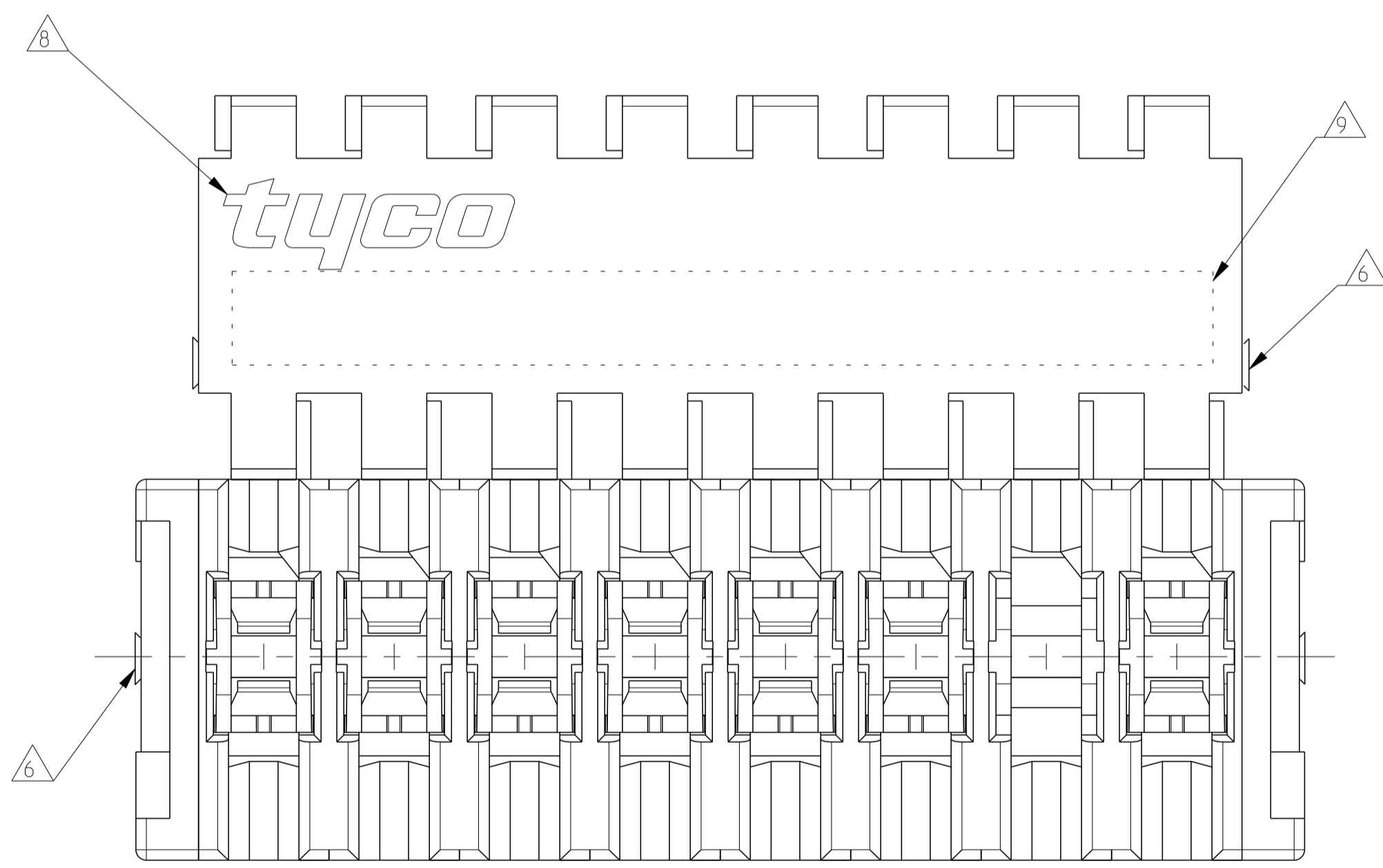
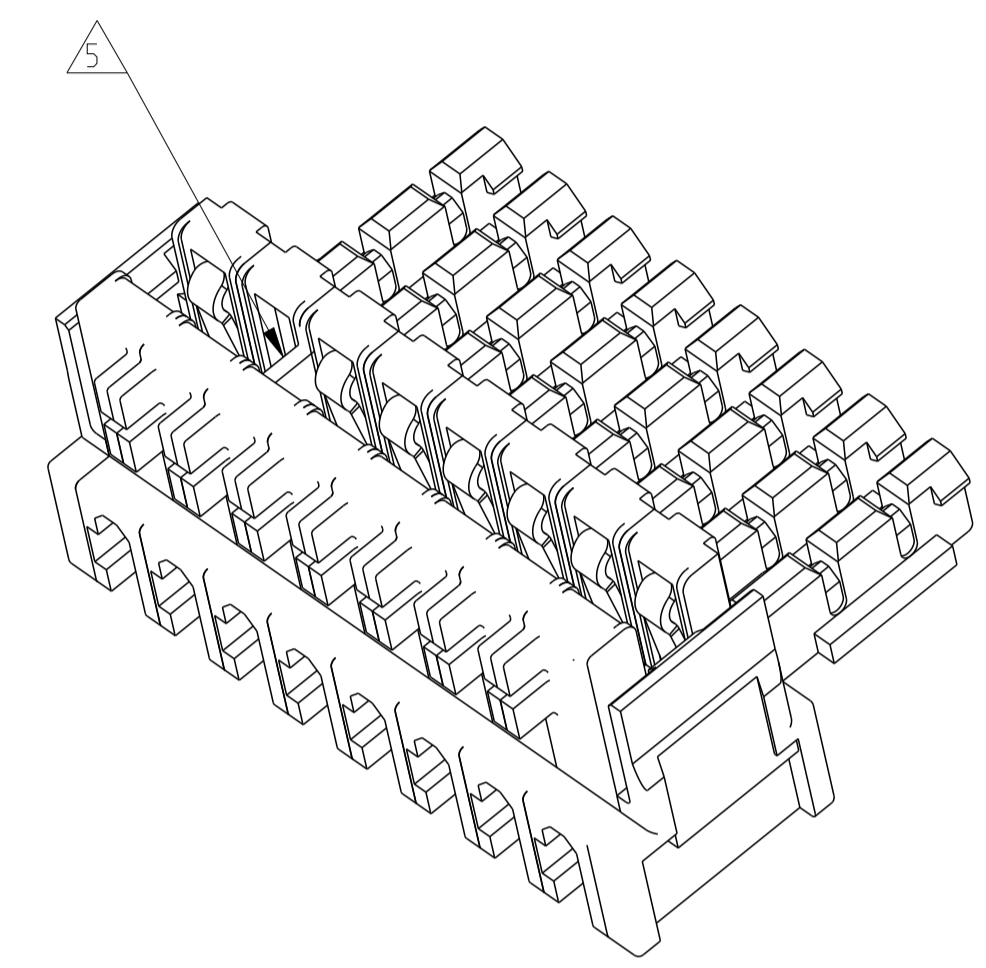
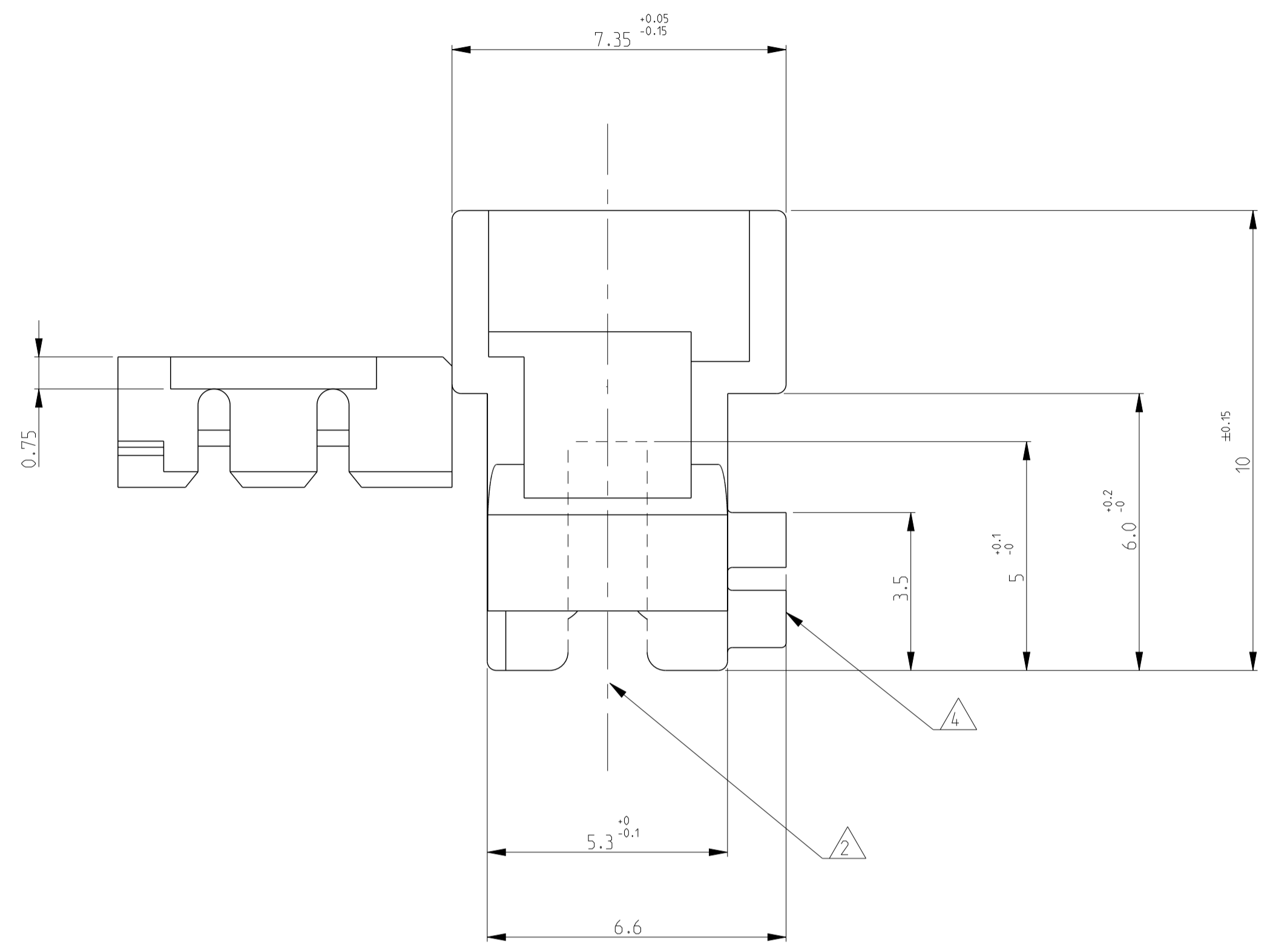
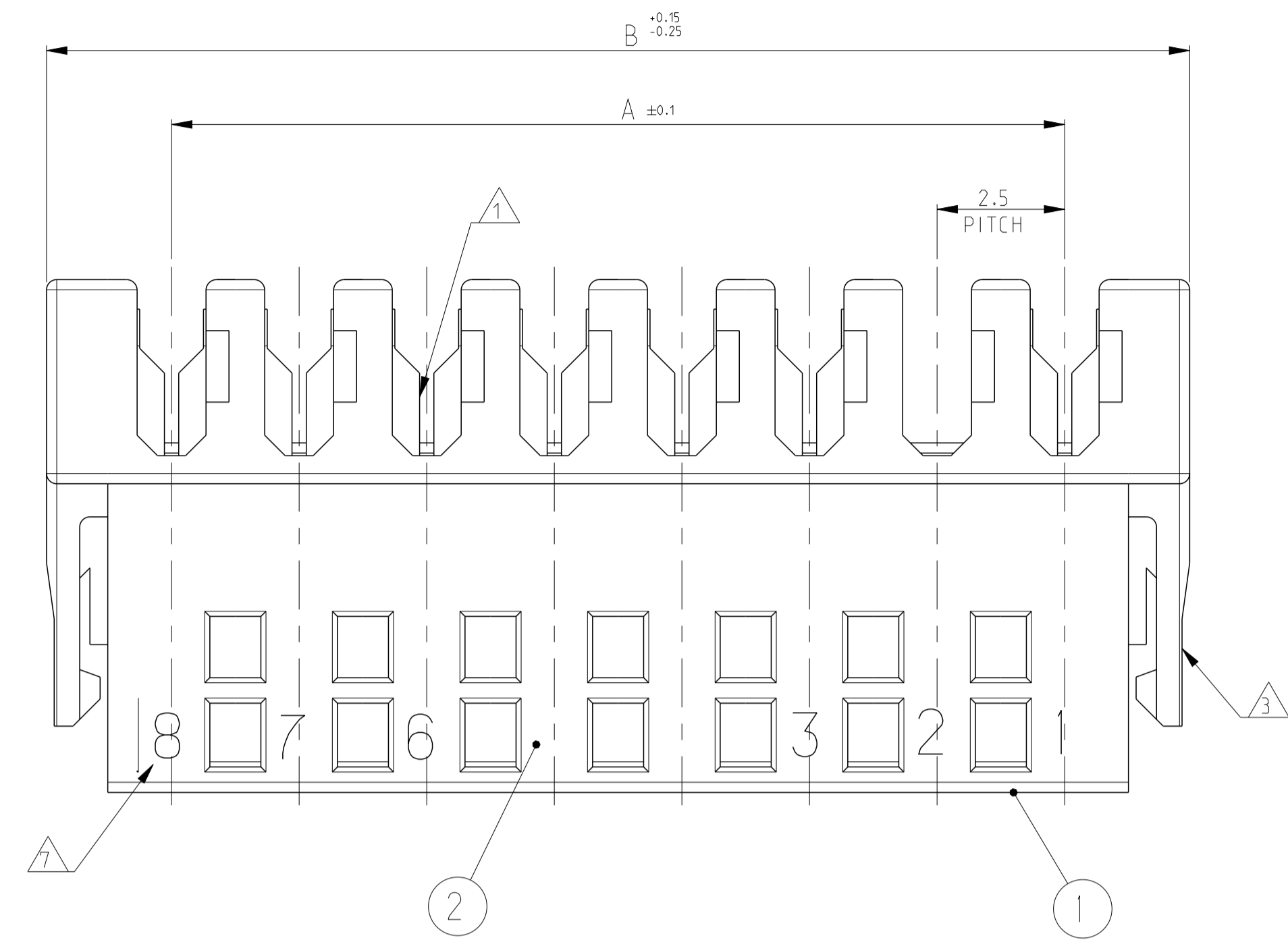


| REVISIONS | | | | |
|-----------|---------------|-------------|-----------|-------|
| P. | LTN. | DESCRIPTION | DATE | APPV. |
| BB | ECR-16-000529 | | 13JAN2016 | SS LF |
| B9 | ECR-16-007656 | | 26MAY2016 | SS RR |
| B10 | ECR-16-010175 | | 14JUL2016 | KD RR |
| B11 | ECR-16-016334 | | 17NOV2016 | FV RR |



- ① WIRE RANGE : STRANDED 0.22-0.35 mm² (INS. DIA. 1.30±0.1)
- ② MATING PART: P.C.B. EDGE, DOUBLE SIDE, THK 1.5 (COPPER CLADDING INCLUDED)
- ③ SIDE LOCKING DEVICE
- ④ KEYING RIBS TO BE REMOVED BY TERMINATION MACHINE
- ⑤ POLARIZATION RIBS BETWEEN CAVITIES
- ⑥ CUT OFF DIMENSION DUE TO PRODUCTION PROCESS
- ⑦ CIRCUIT No. IDENTIFICATION
- ⑧ TE TRADEMARK (OPTIONAL POSITION)
- ⑨ TAMPOGRAPHIC COLOUR CODE AREA (P/Ns IDENTIFICATION BEFORE CRIMPING AREA)
- ⑩ FOR PCB LAYOUT, SEE SHEET 2
FOR CONNECTION VIEW LAYOUT, SEE SHEET 2
- ⑪ PRELIMINARY NOT YET RELEASED FOR PRODUCTION
- ⑫ PBT GF
- ⑬ PBT GF, GWPEPT 750 NO-FLAME, NATURAL

| COLOUR CODE | POLARIZ. RIB POS. | CONTACT LOADING | HSG POS. | DIM.A | DIM.B | TE P/N | TE P/N |
|-------------|-------------------|--|----------|-------|-------|-----------------------|-------------|
| GREEN | 13/14 | SELECTIVELY 1.3,4,6,8,9,10,11,12,13,14 | 14 | 32.5 | 37.4 | 5-284866-4 | 1-2311508-4 |
| BLUE | | SELECTIVELY 1.3,4,6,11,12,13,14 | | | | 1-284866-4 | 2311508-4 |
| BLUE | 2/3 | SELECTIVELY 1.3,4,6,7,9,11,12 | 12 | 27.5 | 32.4 | 1-284866-2 | 2311508-2 |
| OBSOLETE | 2/3 | SELECTIVELY 1.2,3,4,5,6,7,8,10 | 10 | 22.5 | 27.4 | 1-284866-0 | - |
| GRAY | 3/4 | SELECTIVELY 1.3,4,6,8,9 | | | | 7-284866-9 | 8-2311507-9 |
| RED | 4/5 | SELECTIVELY 1,2,4,6,8,9 | | | | 8-284866-9 | 7-2311507-9 |
| GREEN | | SELECTIVELY 1,2,4,6,7,9 | | | | 1-284866-9 | 6-2311507-9 |
| BLACK | | SELECTIVELY 1,3,5,7,8,9 | 9 | 20.0 | 24.9 | 6-284866-9 | 5-2311507-9 |
| ORANGE | | SELECTIVELY 1,2,3,5,7,9 | | | | 5-284866-9 | 4-2311507-9 |
| BROWN | 2/3 | SELECTIVELY 1.3,4,6,8,9 | | | | 4-284866-9 | 3-2311507-9 |
| RED | | SELECTIVELY 1.3,5,6,7,9 | | | | 3-284866-9 | 2-2311507-9 |
| GREEN | | SELECTIVELY 1,3,4,5,6,7,8,9 | | | | 2-284866-9 | 1-2311507-9 |
| BLUE | | SELECTIVELY 1,3,4,6,7,9 | | | | 0-284866-9 | 2311507-9 |
| BROWN | | SELECTIVELY 1,2,3,4,6,8 | | | | 4-284866-8 | 3-2311507-8 |
| RED | 2/3 | SELECTIVELY 1.3,5,6,7,8 | 8 | 17.5 | 22.4 | 3-284866-8 | 2-2311507-8 |
| GREEN | | SELECTIVELY 1,3,4,5,6,7,8 | | | | 2-284866-8 | 1-2311507-8 |
| BLUE | | SELECTIVELY 1,3,4,6,7,8 | | | | 0-284866-8 | 2311507-8 |
| BLUE | | SELECTIVELY 1,3,5,7 | | | | 1-284866-7 | 1-2311507-7 |
| BLUE | 2/3 | SELECTIVELY 1,3,5,6,7 | 7 | 15.0 | 19.9 | 0-284866-7 | 2311507-7 |
| BLACK | 2/3 | SELECTIVELY 1,3,4,6 | | | | 4-284866-6 | 2-2311507-6 |
| GREEN | 4/5 | SELECTIVELY 1,2,4,6 | 6 | 12.5 | 17.4 | 2-284866-6 | 1-2311507-6 |
| BLUE | 2/3 | SELECTIVELY 1,3,5,6 | | | | 0-284866-6 | 2311507-6 |
| ORANGE | 1/2 | SELECTIVELY 3,4,5 | | | | 4-284866-5 | 3-2311507-5 |
| GREEN | | SELECTIVELY 1,2,3,5 | | | | 3-284866-5 | 2-2311507-5 |
| BLUE | 3/4 | SELECTIVELY 1,3,4,5 | 5 | 10.0 | 14.9 | 2-284866-5 | 1-2311507-5 |
| RED | 2/3 | SELECTIVELY 2,4 | | | | 0-284866-5 | 2311507-5 |
| GREEN | N/A | SELECTIVELY 1,2,4 | 4 | 7.5 | 12.4 | 2-284866-4 | 2311507-4 |
| GREEN | 1/2 | SELECTIVELY 1,3 | 3 | 5.0 | 9.9 | 2-284866-3 | 1-2311507-3 |
| BLUE | 2/3 | SELECTIVELY 1,3 | | | | 0-284866-3 | 2311507-3 |

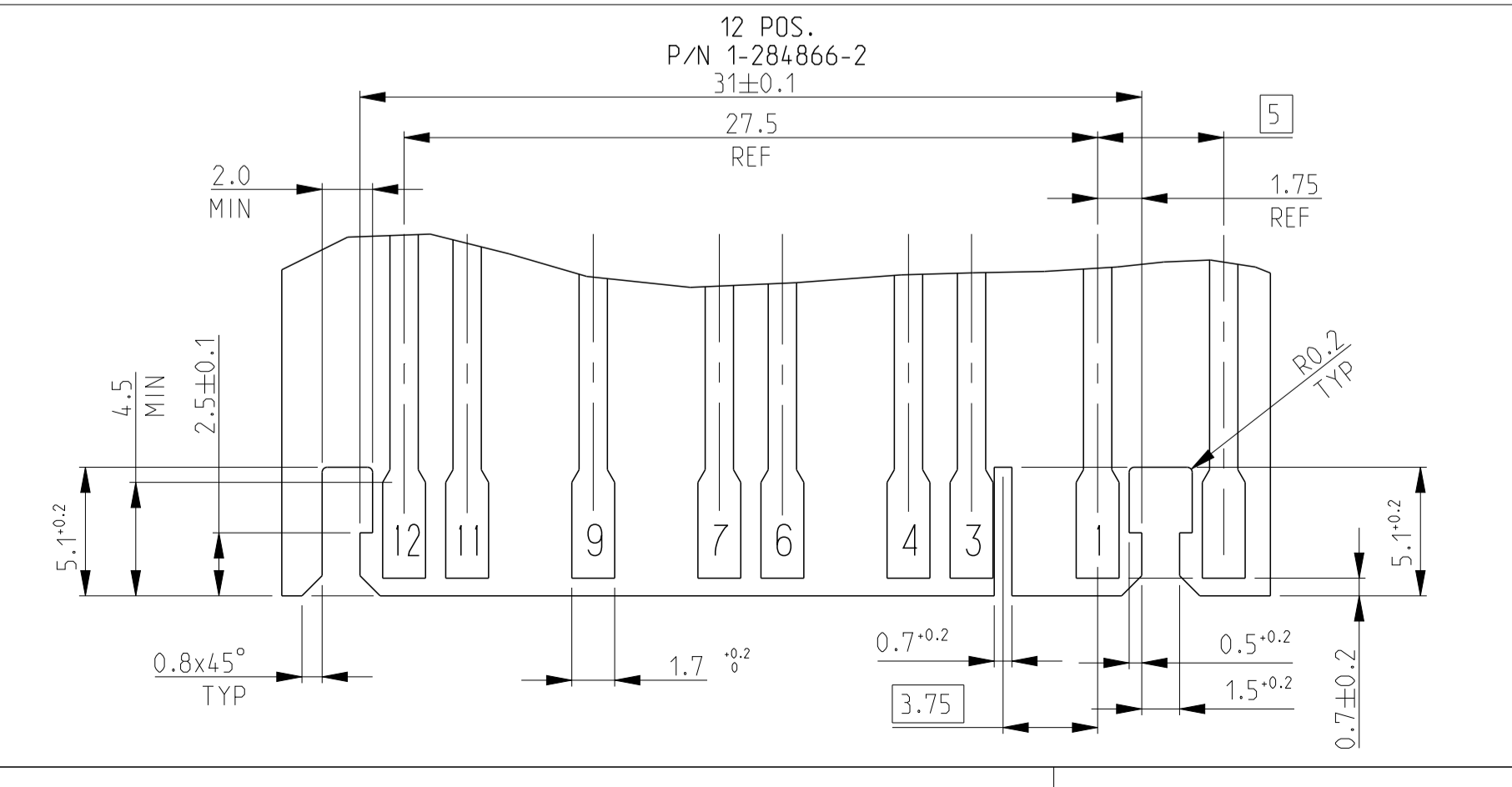
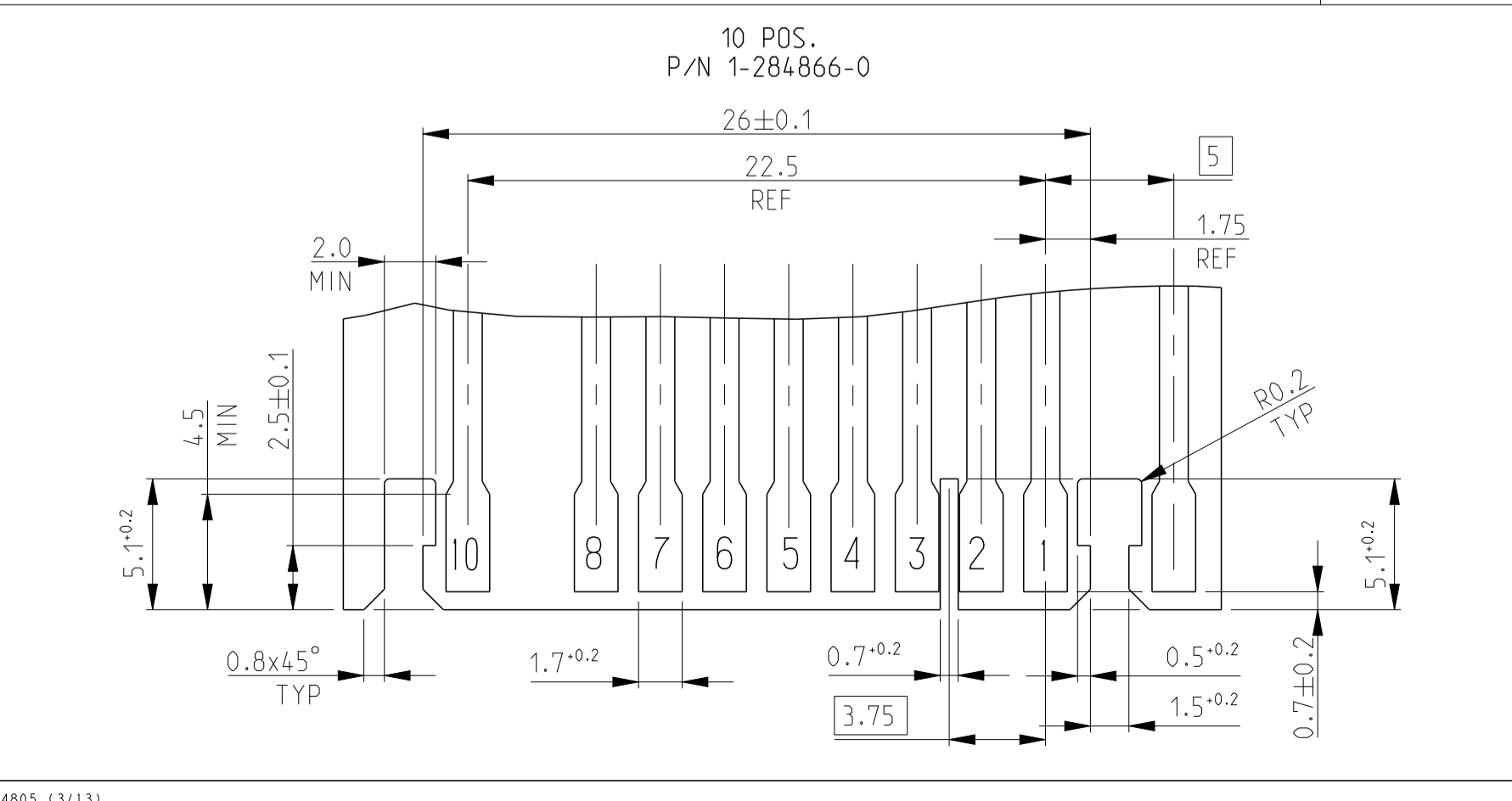
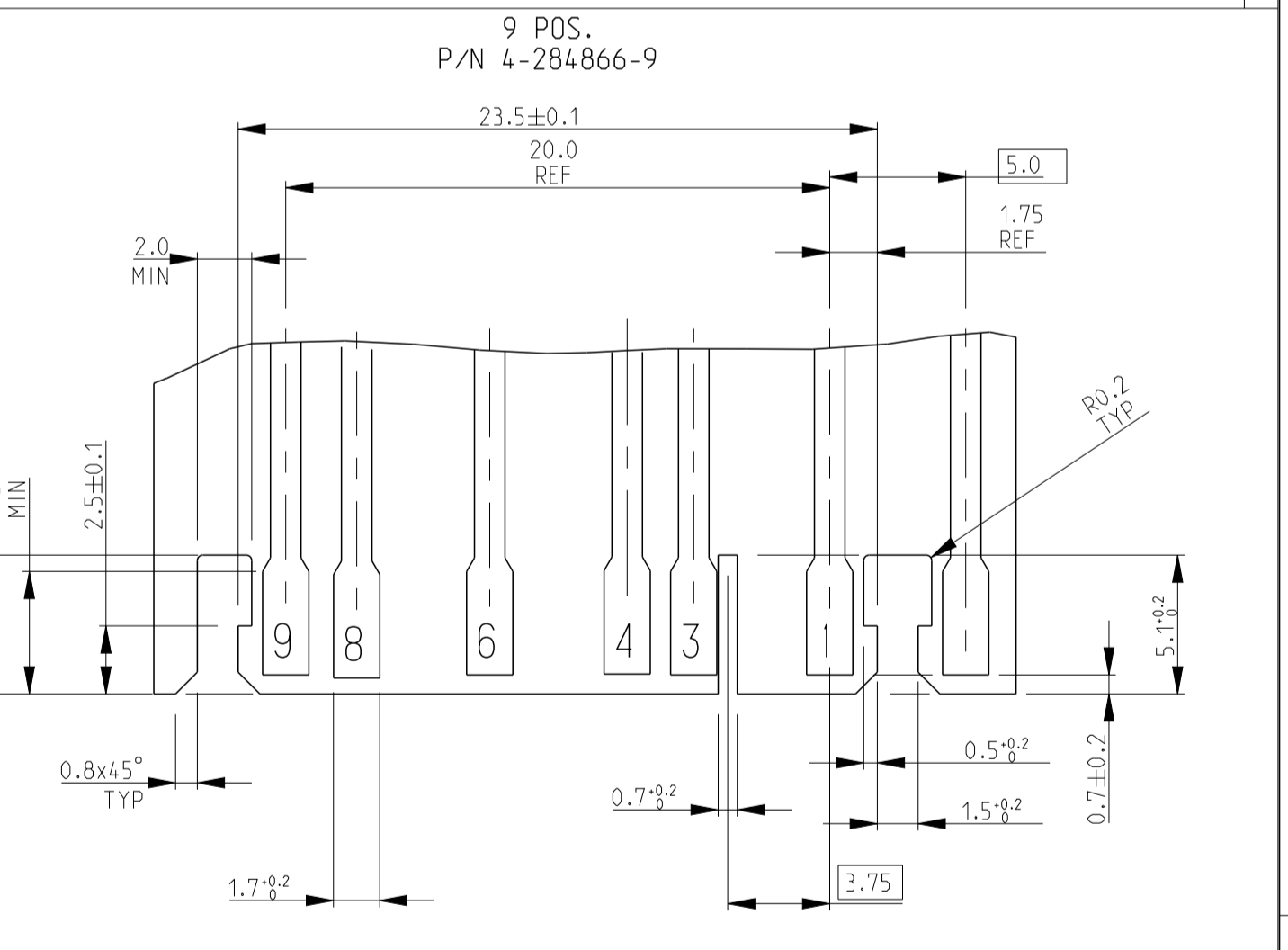
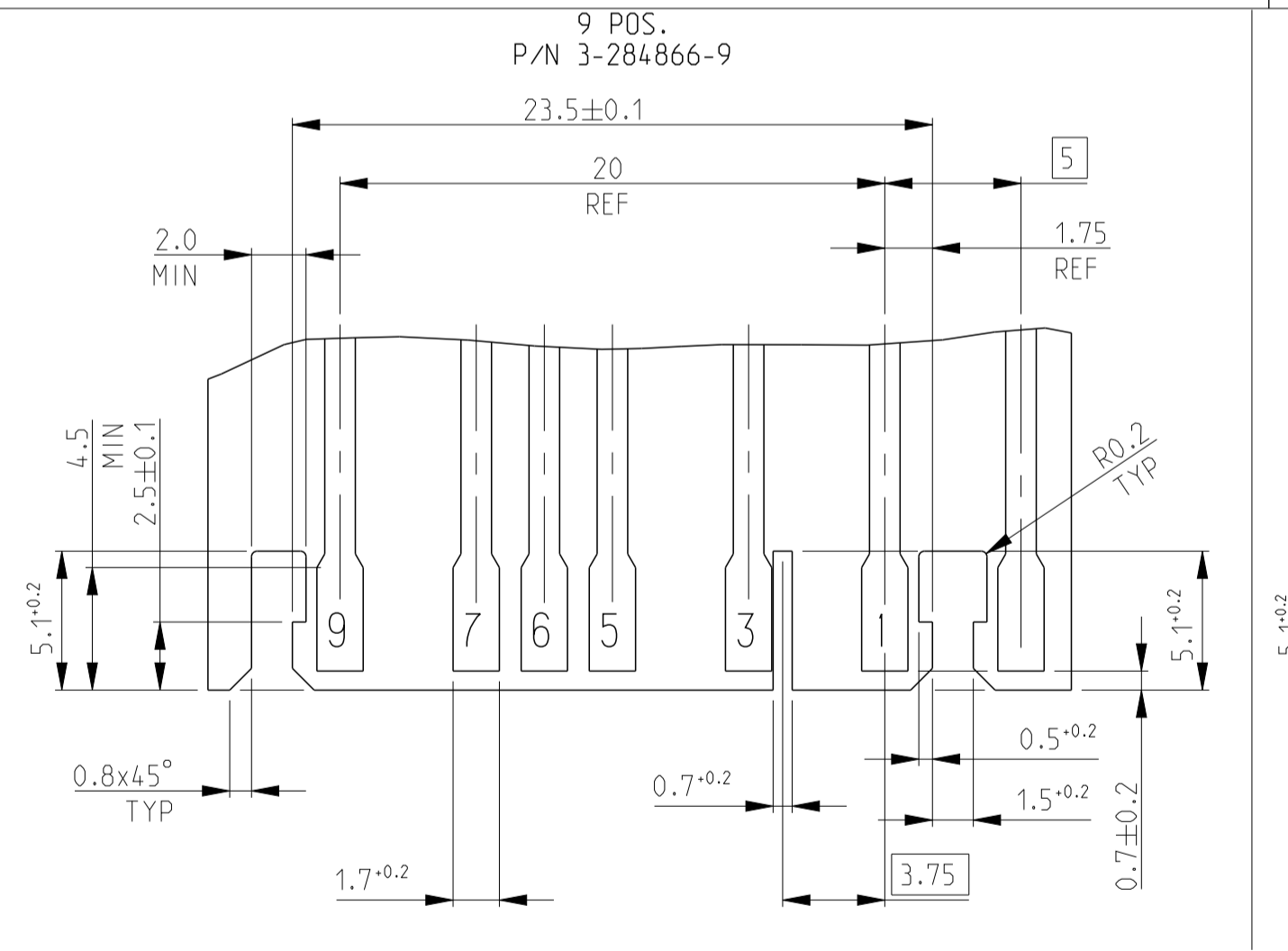
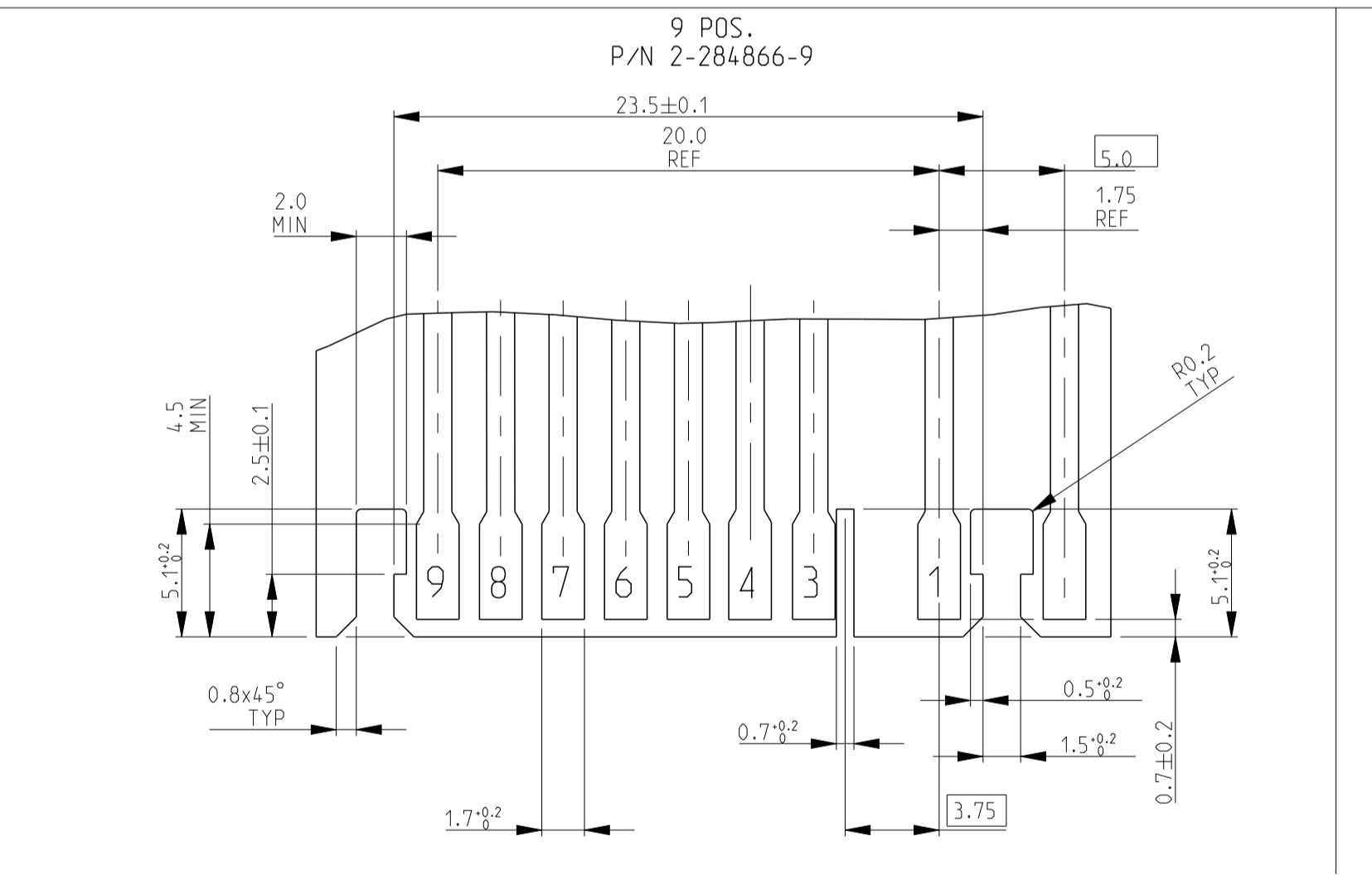
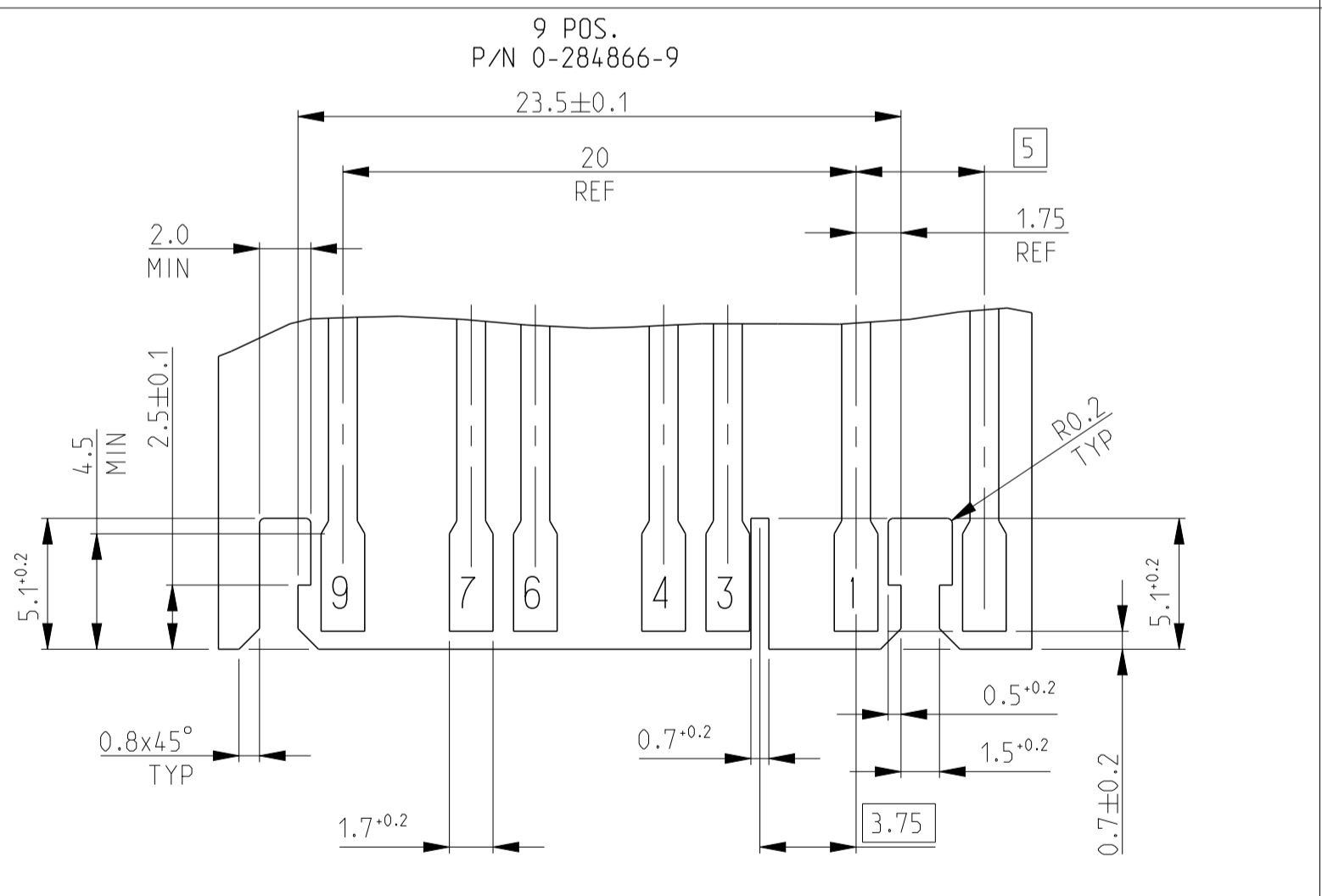
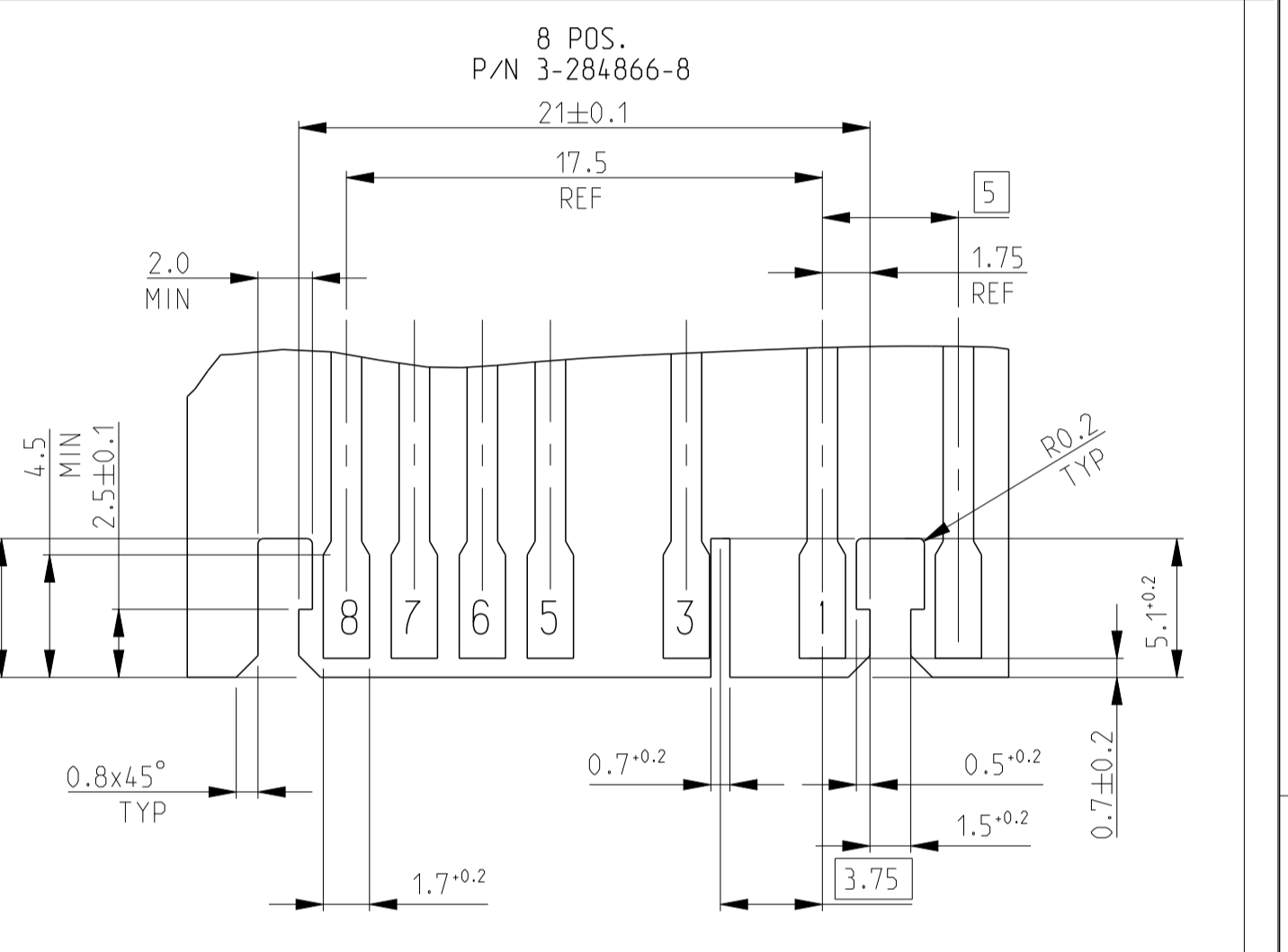
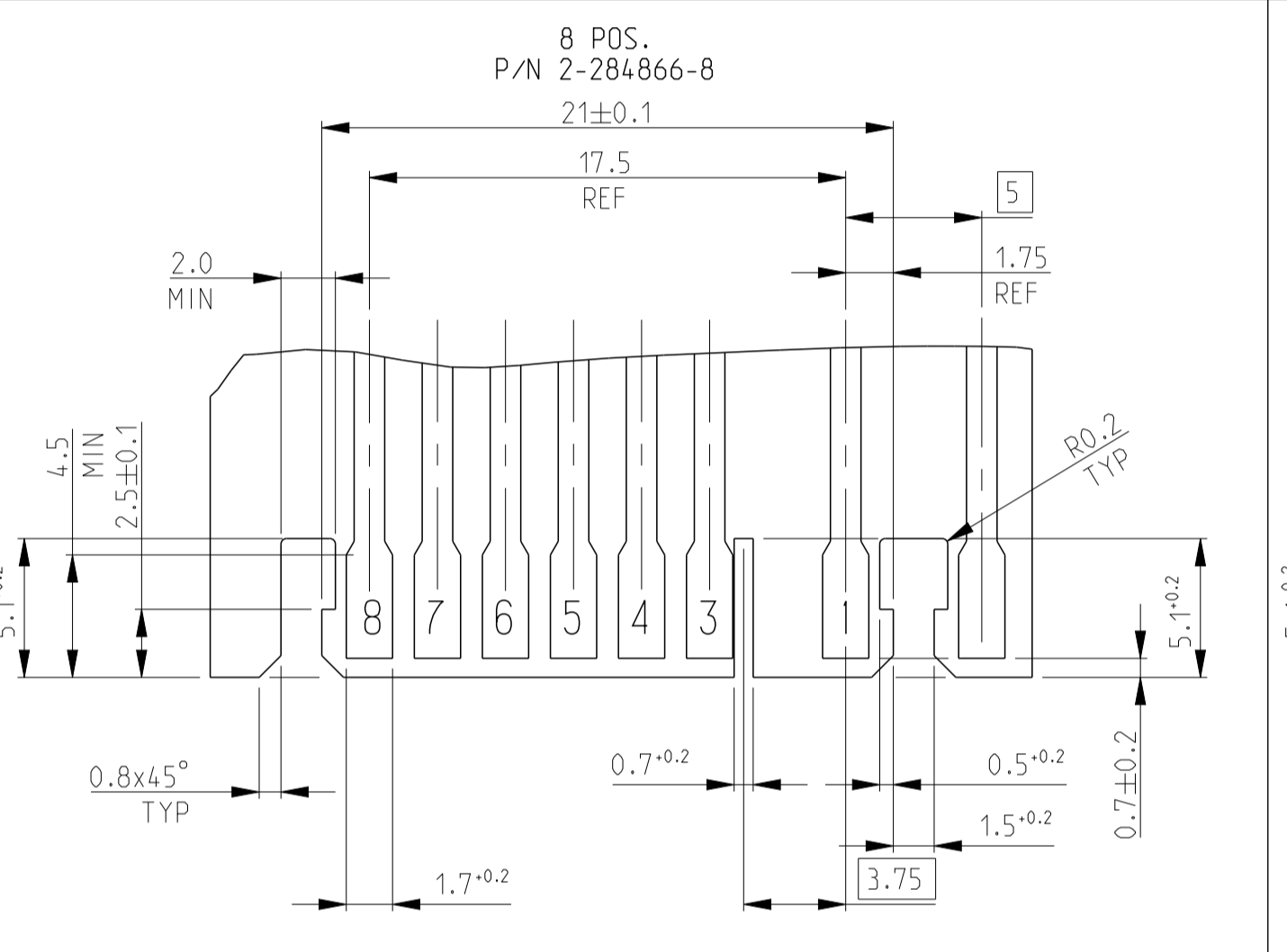
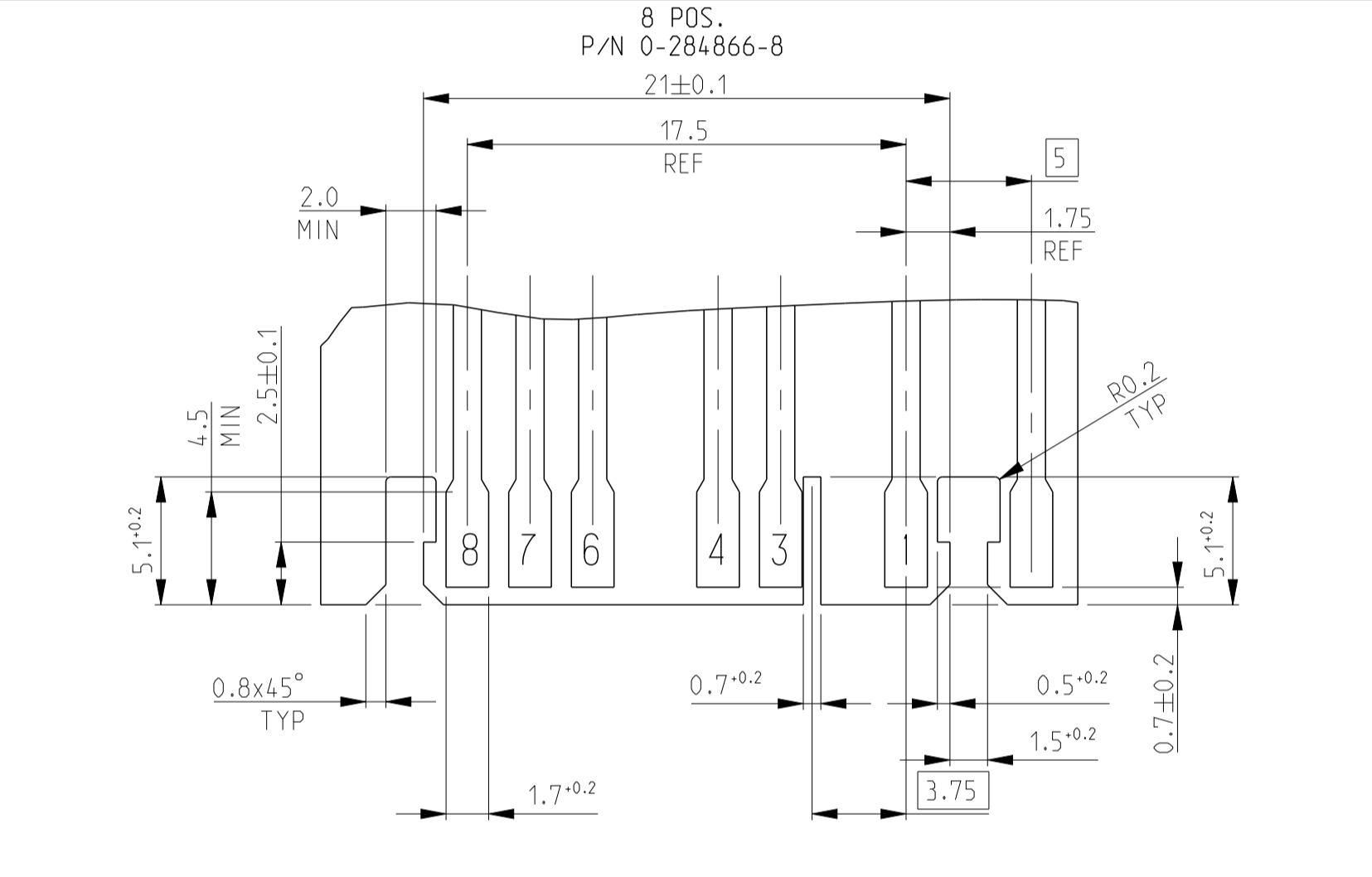
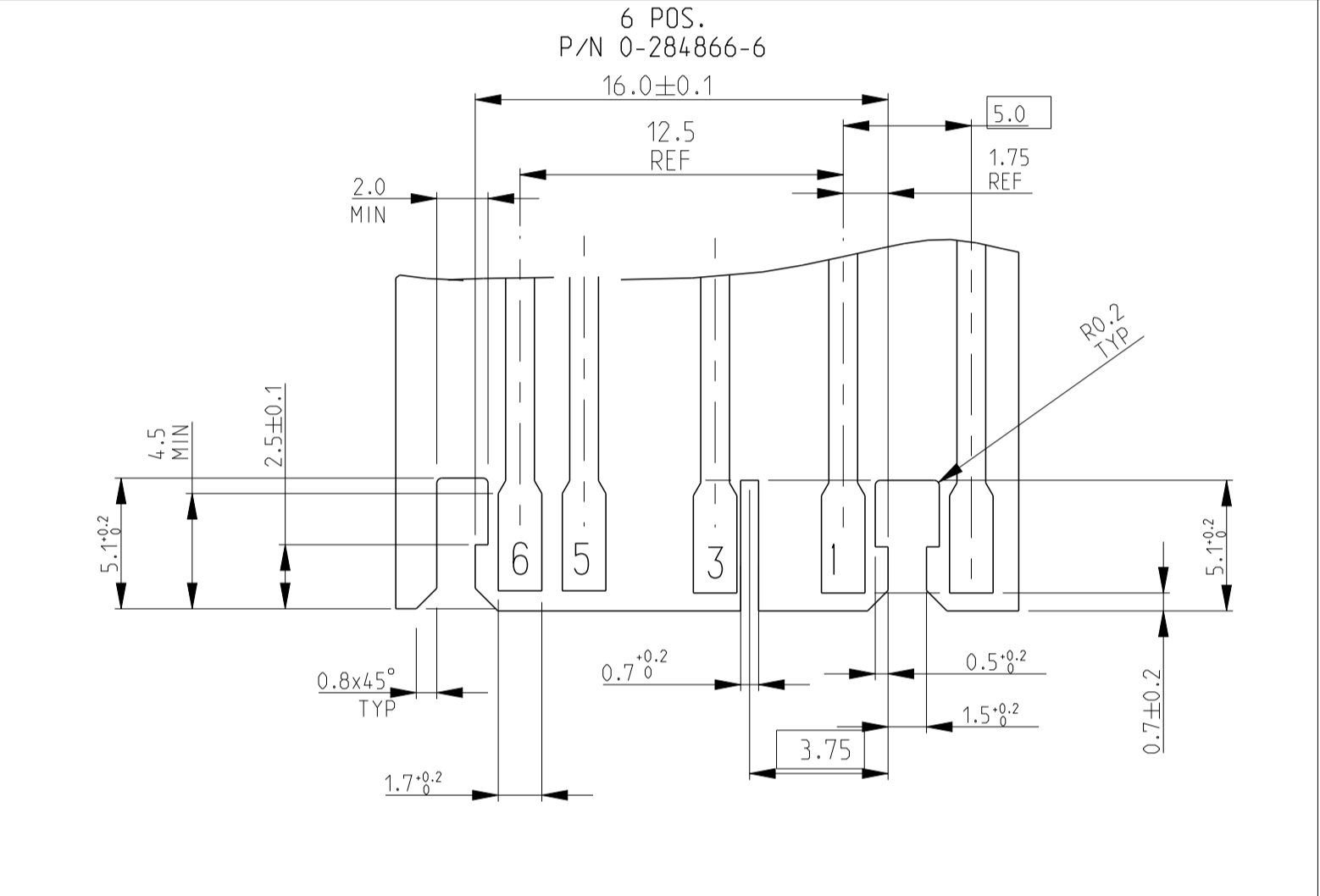
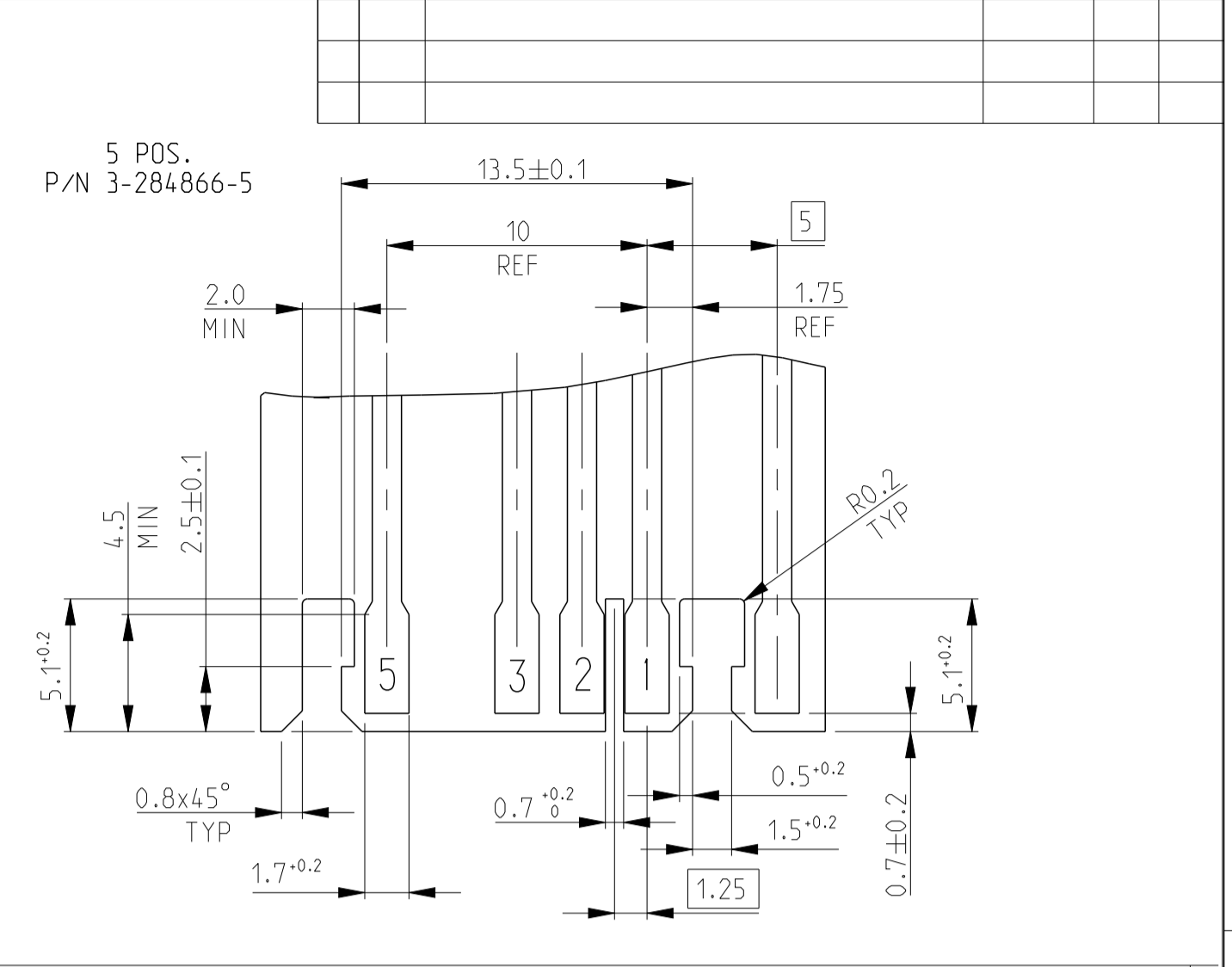
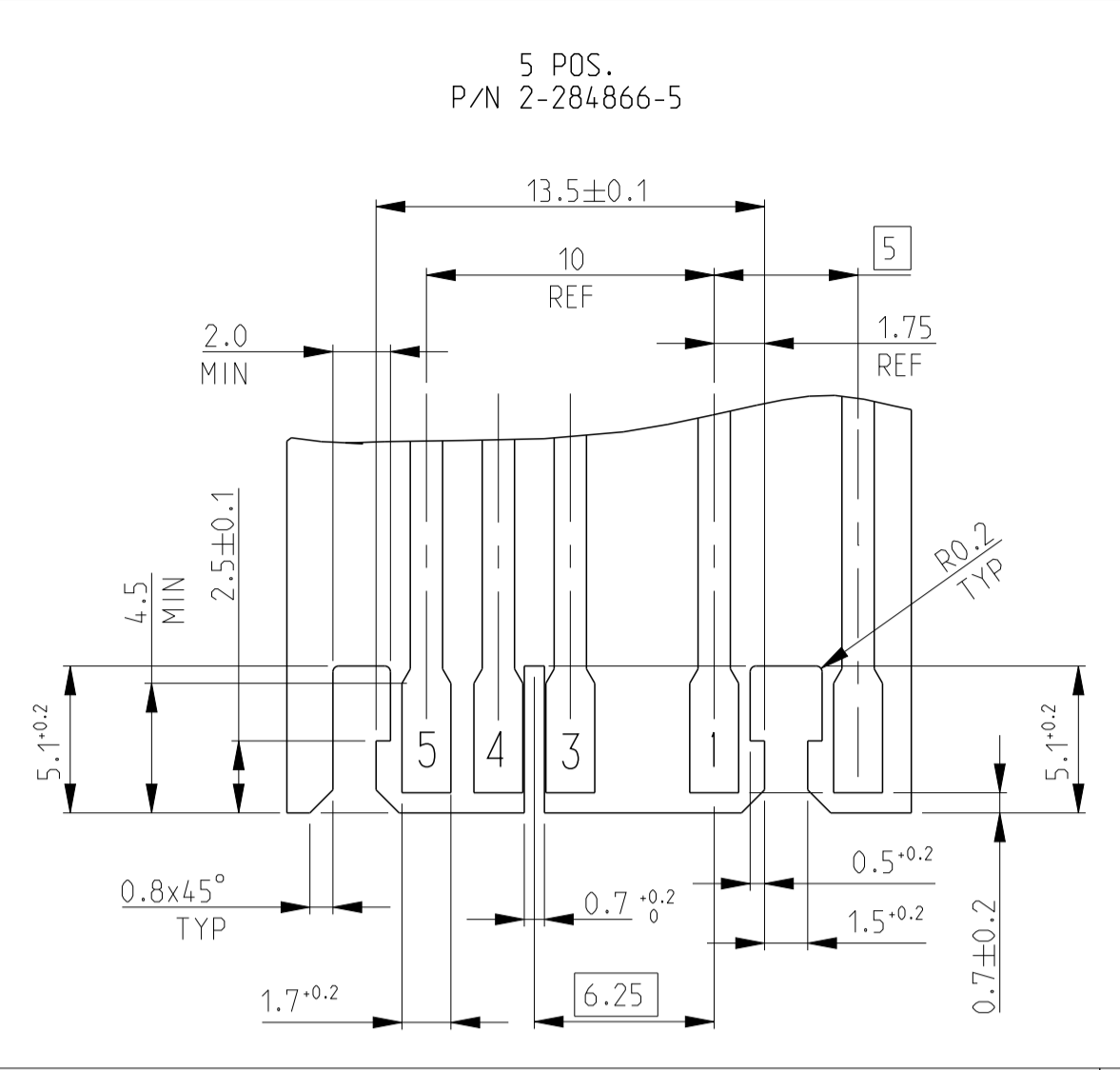
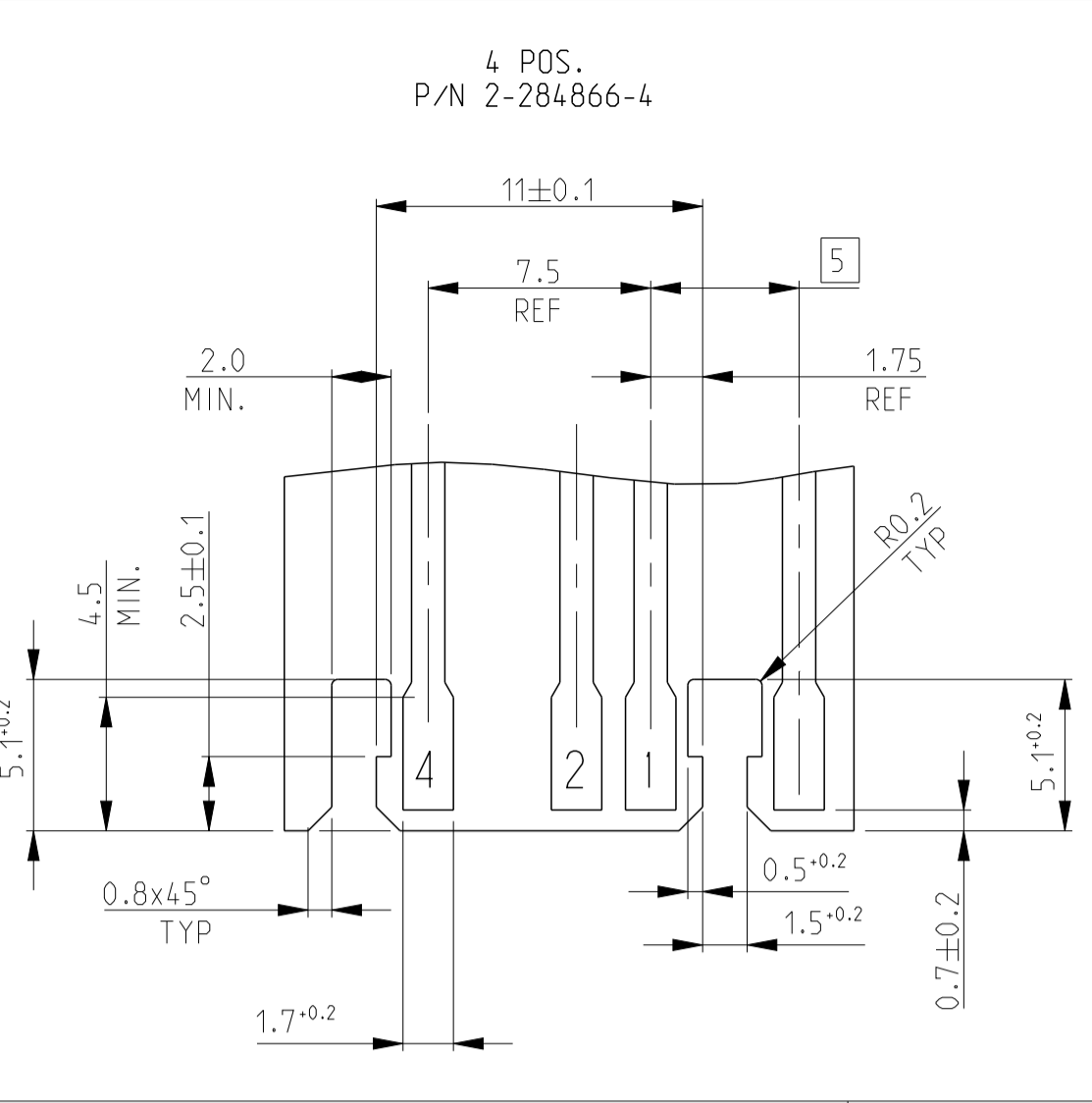
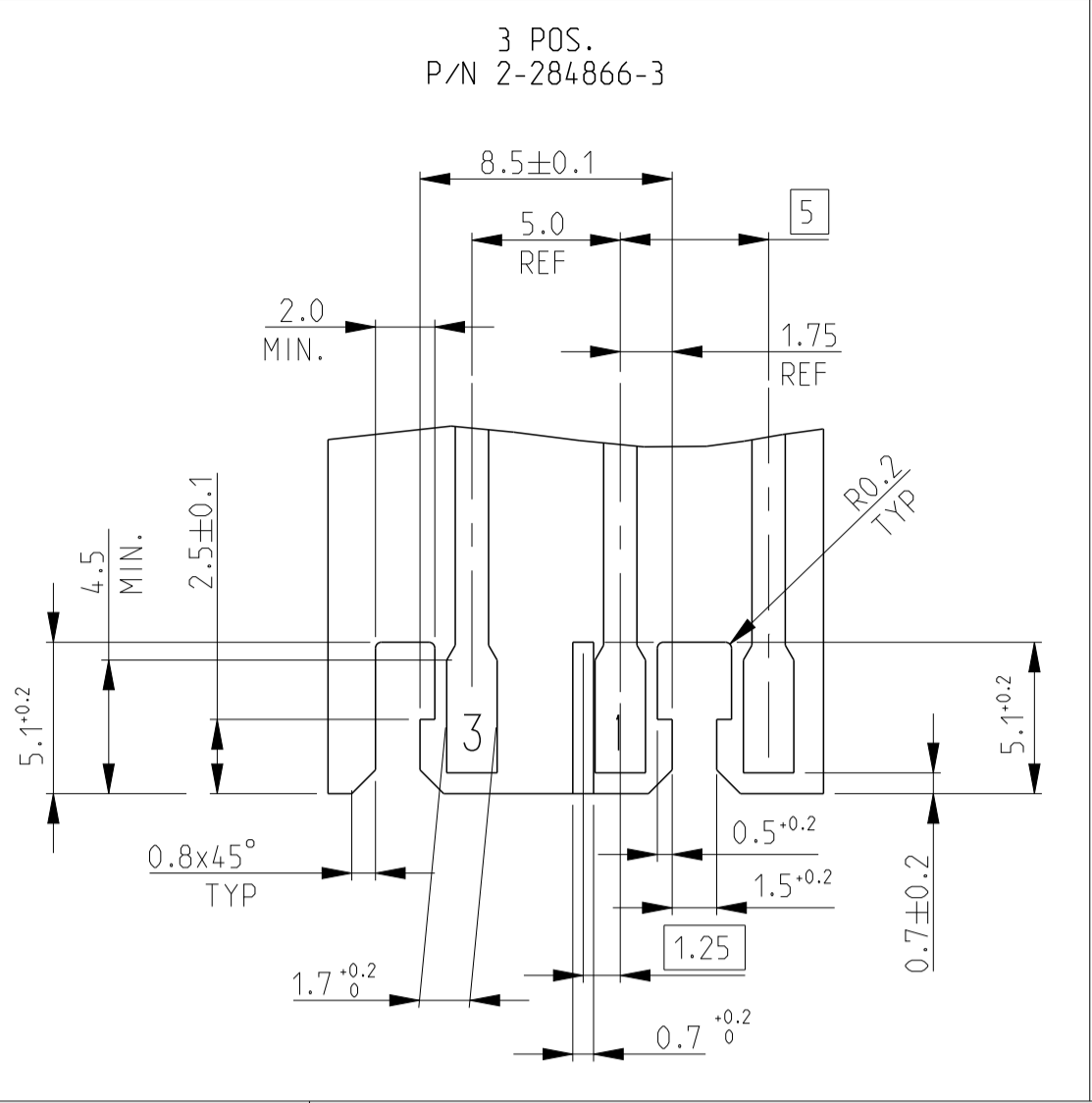
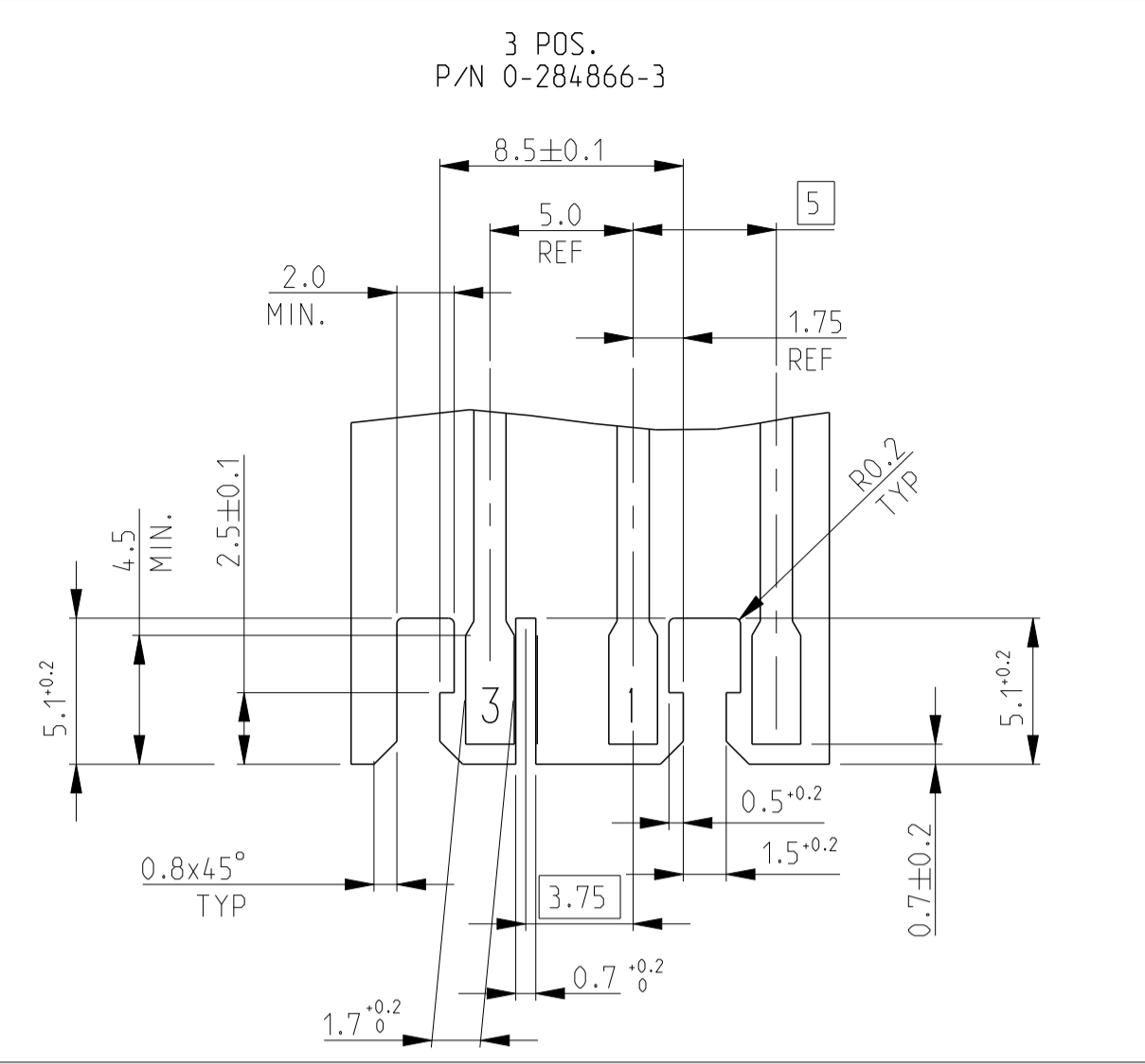
P/N 2-284866-8 AS SHOWN

| | | | | | | | | |
|--|------------------------|--|------|--------------------|--|--|-------------------------|--|
| SEE TABLE | PH. BRONZE, TIN PLATED | IDC RECEPTACLE CONTACT | 2 | DIMENSIONS: mm | TOLERANCES UNLESS OTHERWISE SPECIFIED: 0 PLC ±0.2 1 PLC ±0.2 2 PLC ±0.2 3 PLC ±0.2 4 PLC ±0.2 ANGLES ±1° FINISH | THIS DRAWING IS A CONTROLLED DOCUMENT. | OWN R. FABRIS 03JUL2002 | TE Connectivity NAME: DUOPLUG 2.5 FEMALE CONN., SIDE LOCKING, KEYED (SELECTIVELY LOADED CONTACTS) |
| Q.TY | MATERIAL | DESCRIPTION | ITEM | | | MATERIAL | SEE TABLE | |
| 1 | | REVISIONE DELL'ASSEMBLATO (REVISION OF EACH ASSY NO) | | | | WEIGHT | 116-18049-1 | SCALE: 10:1 |
| 0.1A1 PER ASSEMBLATO 0.1A2 PER ASSY | | ELENCO DEI COMPONENTI (PARTS LIST) | | | | CUSTOMER DRAWING | 116-18049-1 | SHEET 1 OF 4 |

PCB LAYOUT -Soldering side-

(SCALE 4:1)

| REVISIONS | | | | |
|-----------|------|-------------|------|----------|
| P. | LTN. | DESCRIPTION | DATE | OWN APVD |
| - | - | SEE SHEET 1 | - | - |



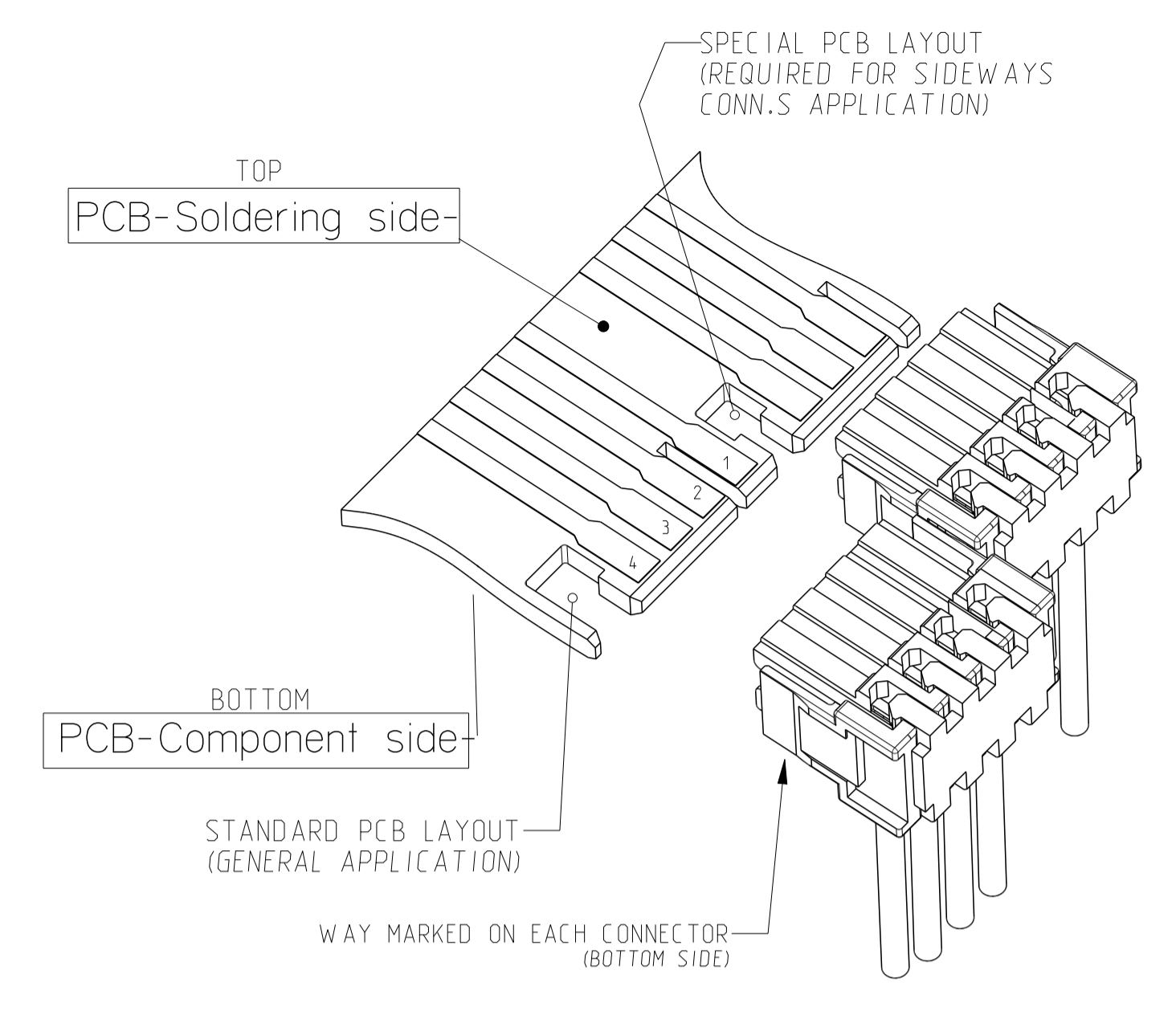
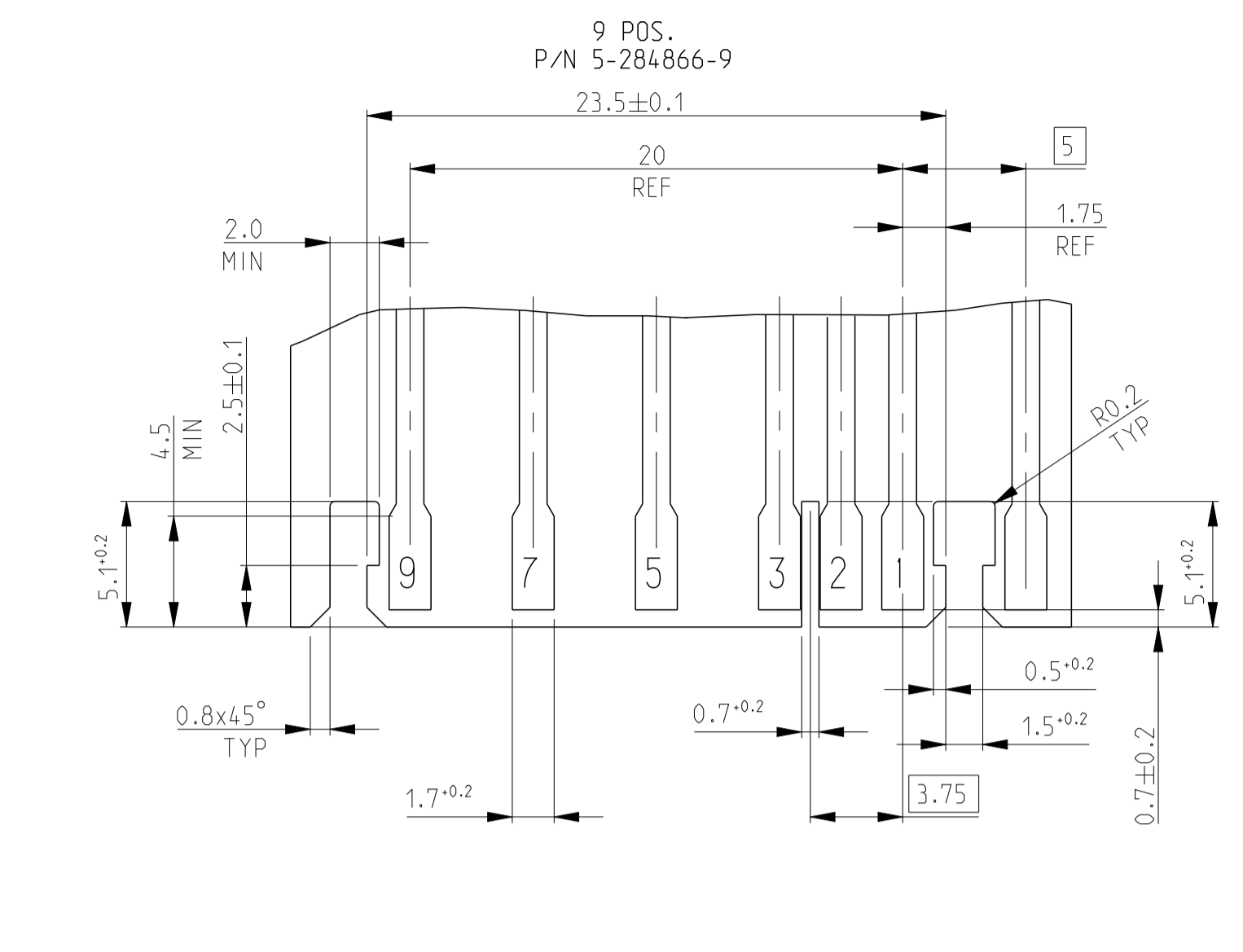
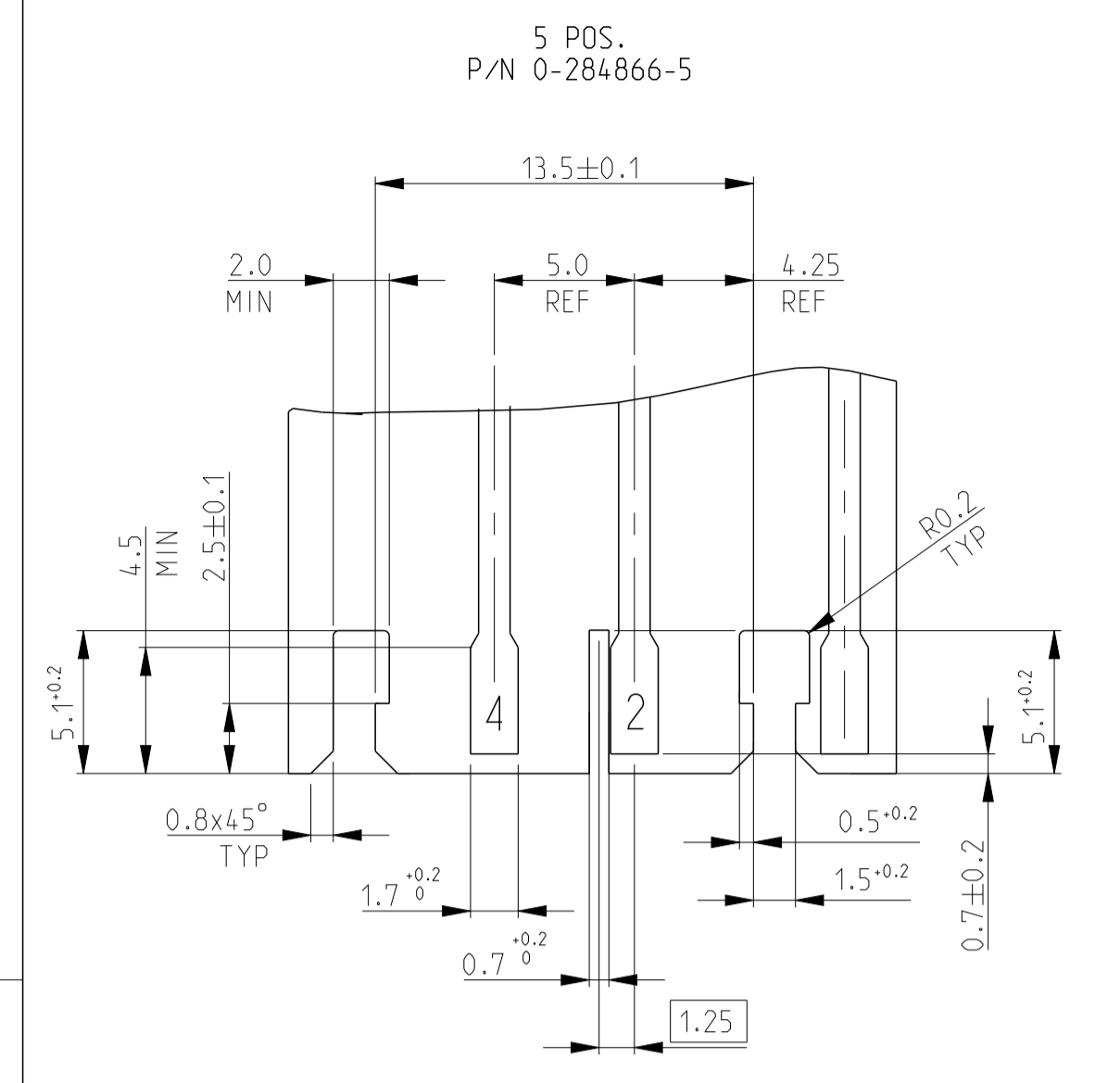
THIS DRAWING IS A CONTROLLED DOCUMENT. OWN: R. FABRIS 03JUL2002
 DIMENSIONS: mm
 TOLERANCES UNLESS OTHERWISE SPECIFIED:
 0 PLC # # # # #
 1 PLC # # # # #
 2 PLC # # # # #
 3 PLC # # # # #
 4 PLC # # # # #
 ANGLES # # # # #
 MATERIAL SEE TABLE
 FINISH SEE TABLE

APVD: E. TURCO
 PRODUCT SPEC: 108-20238
 APPLICATION SPEC: 116-18049-1
 WEIGHT: -
 CUSTOMER DRAWING

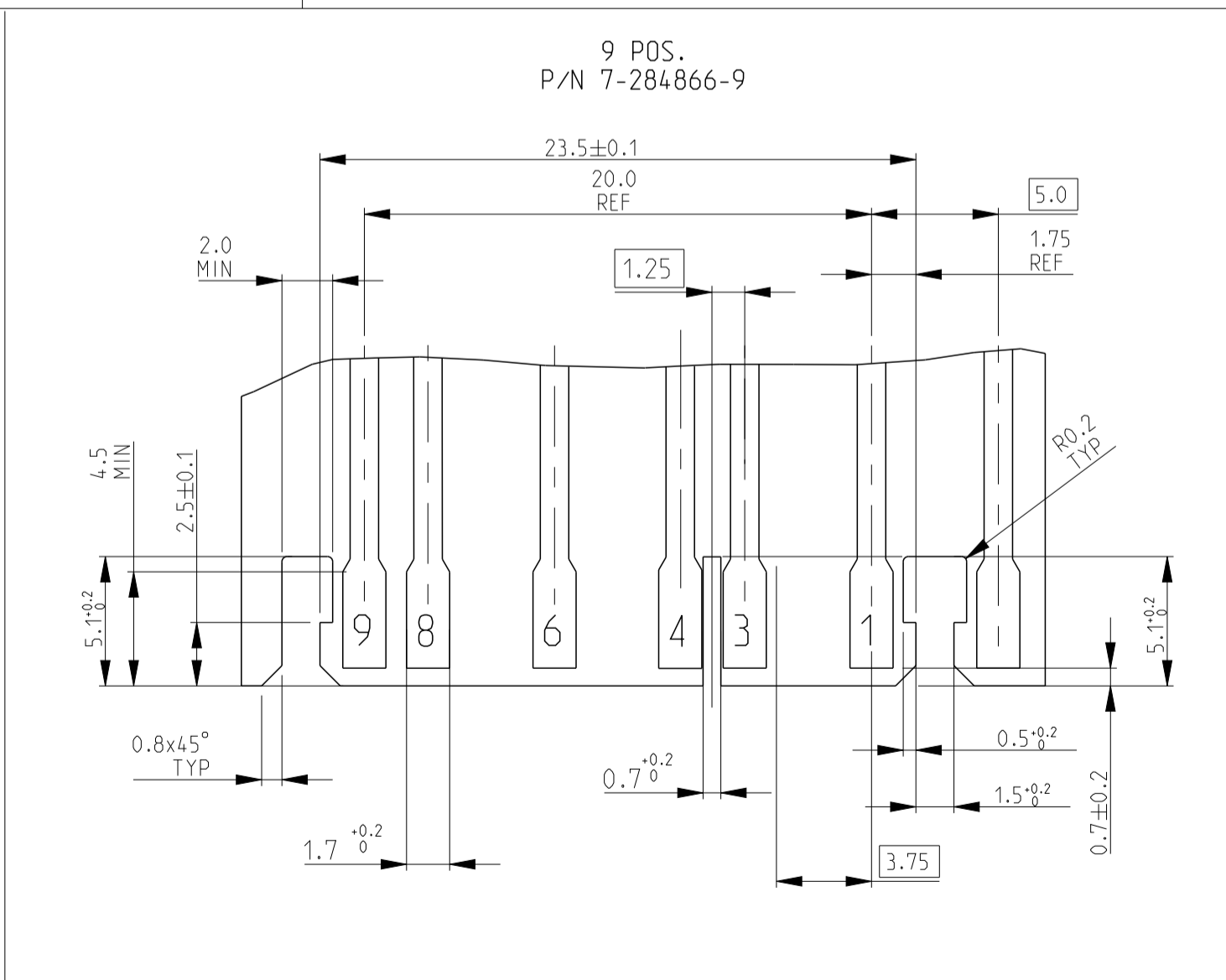
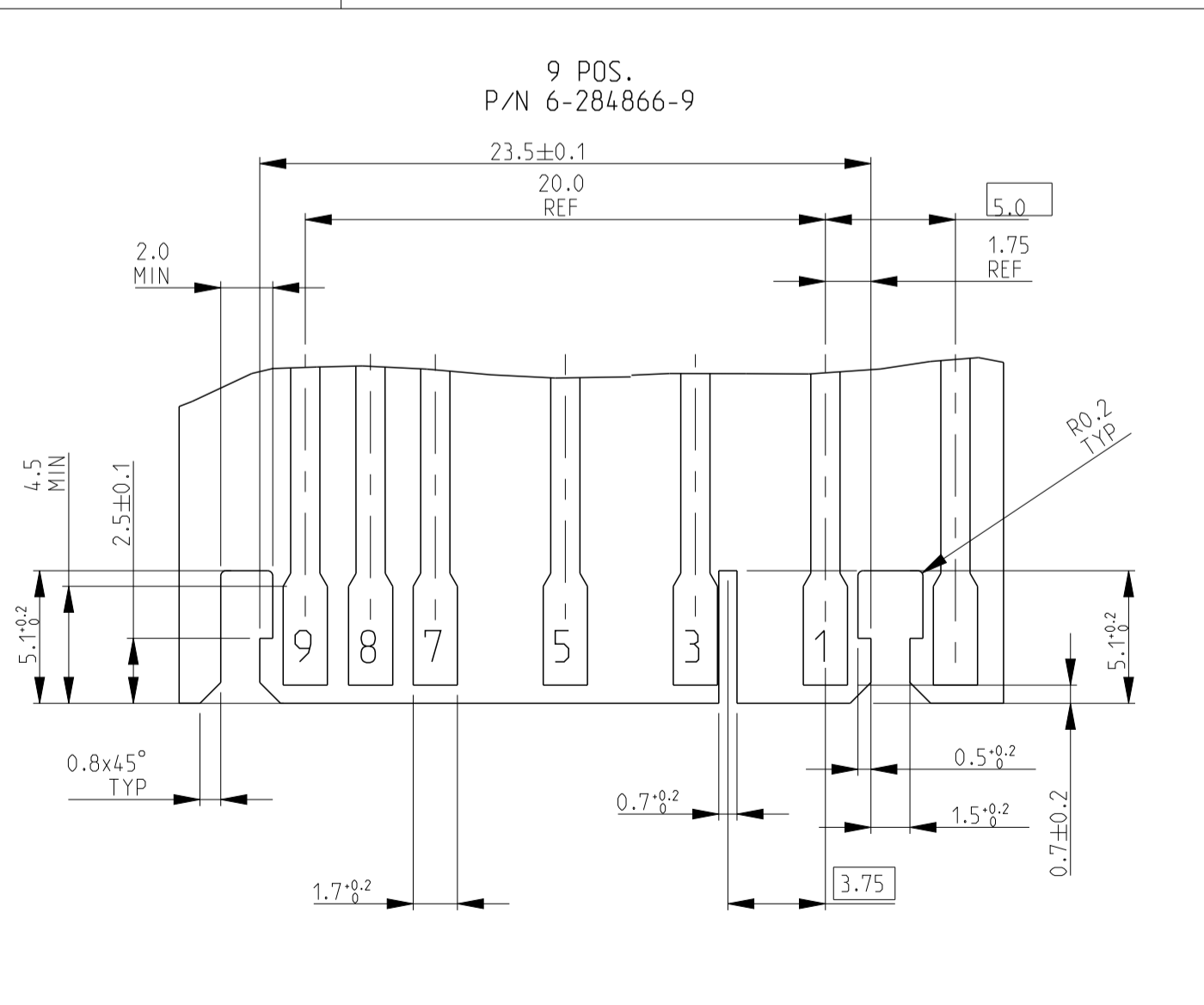
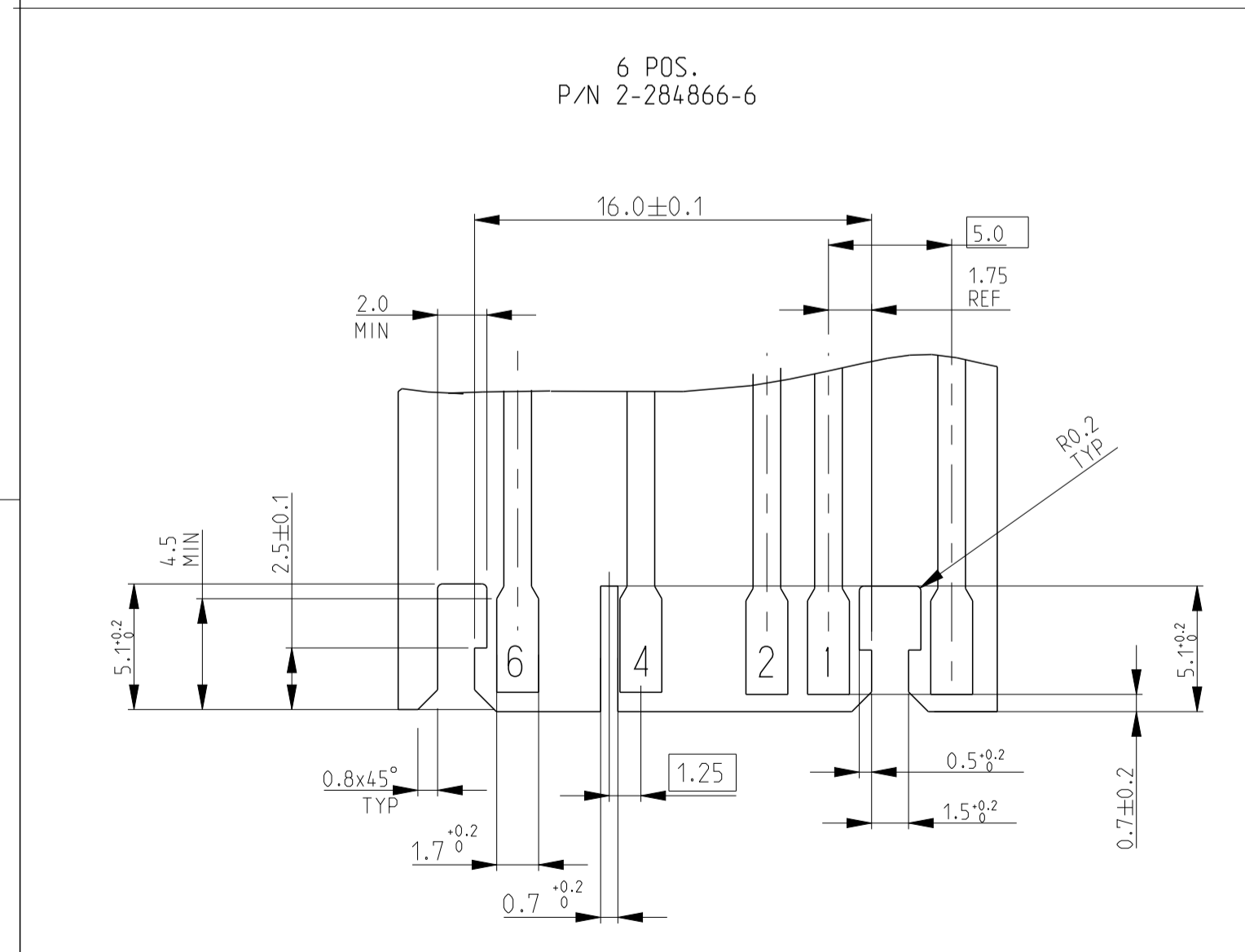
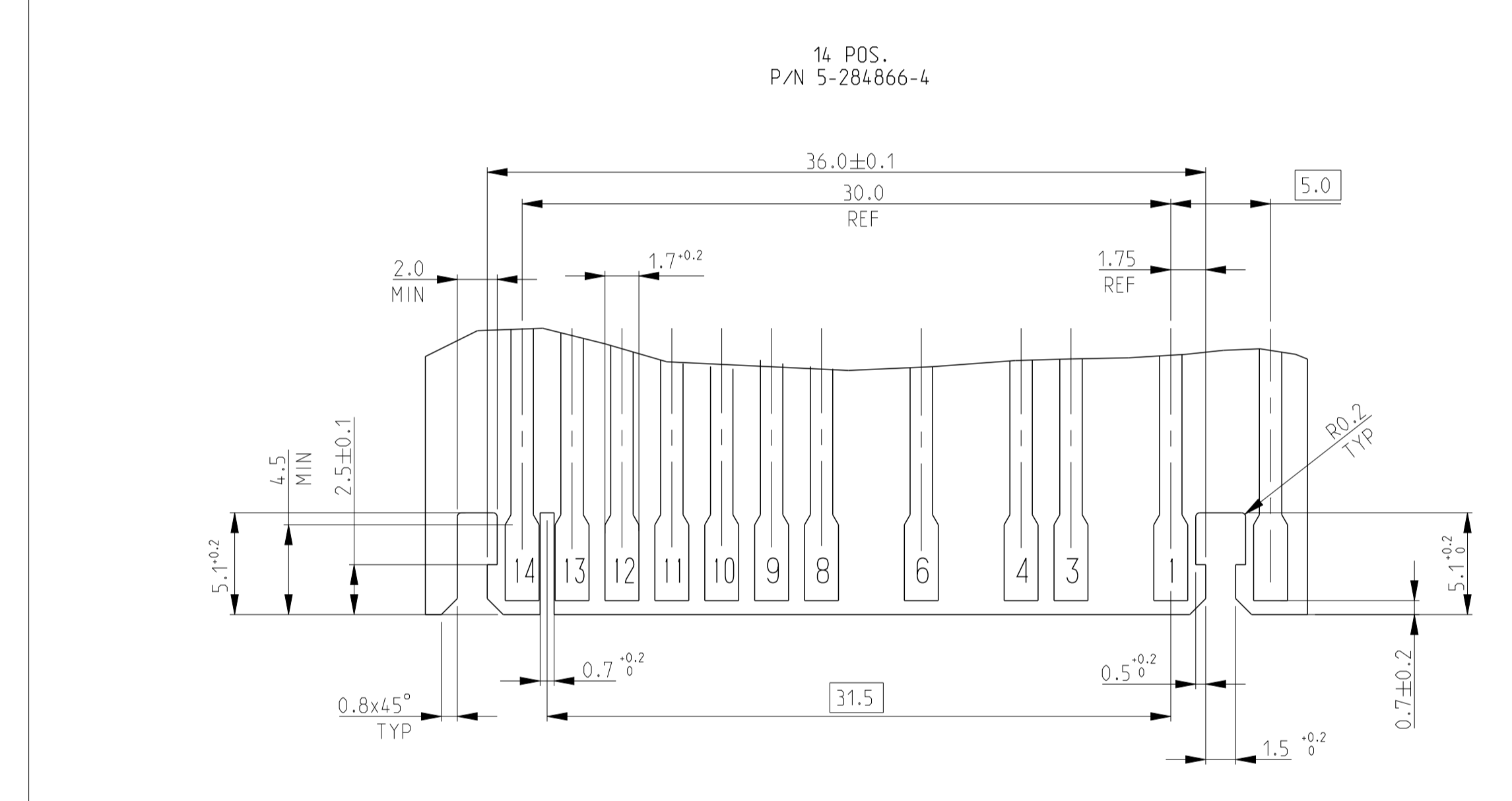
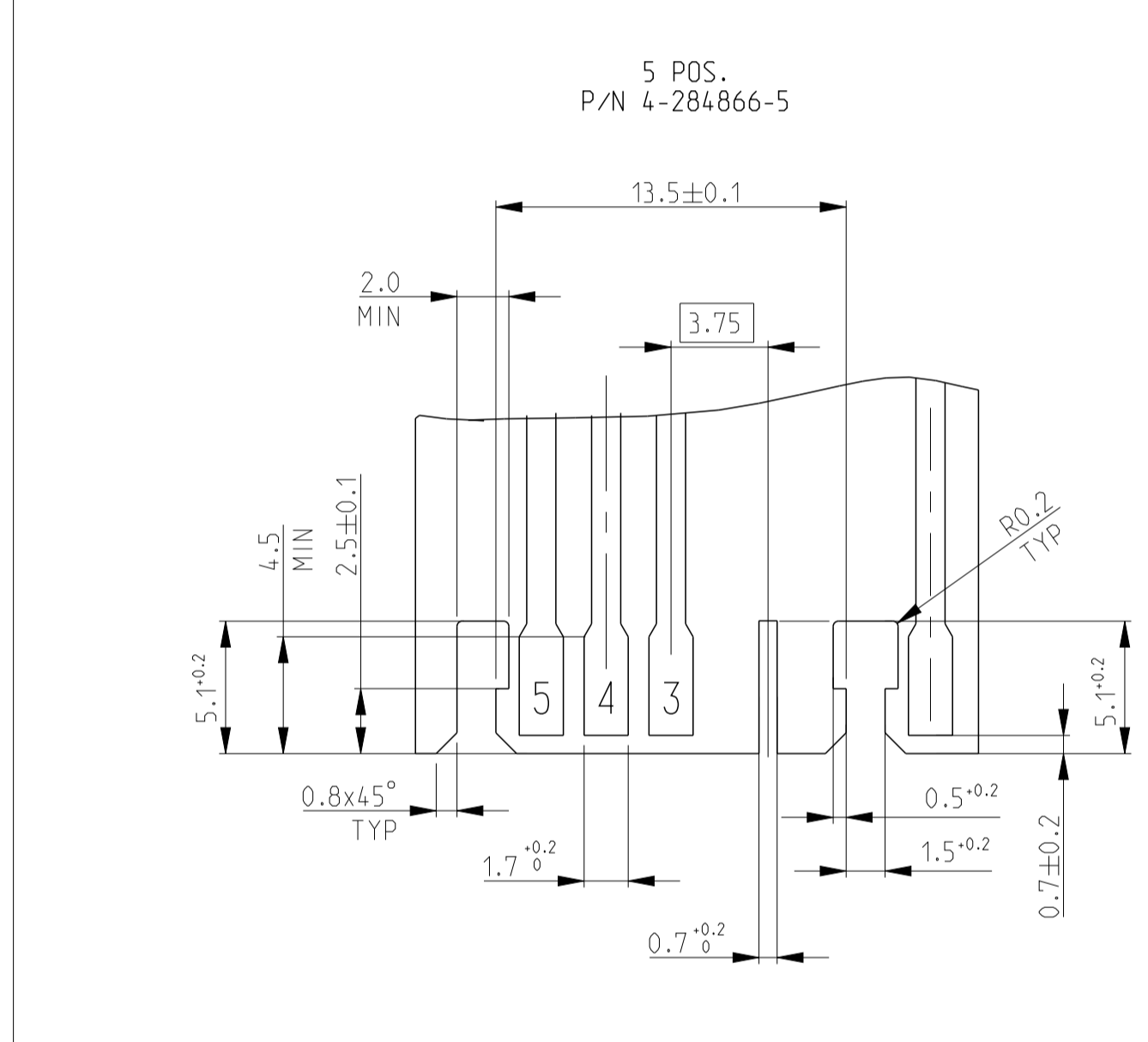
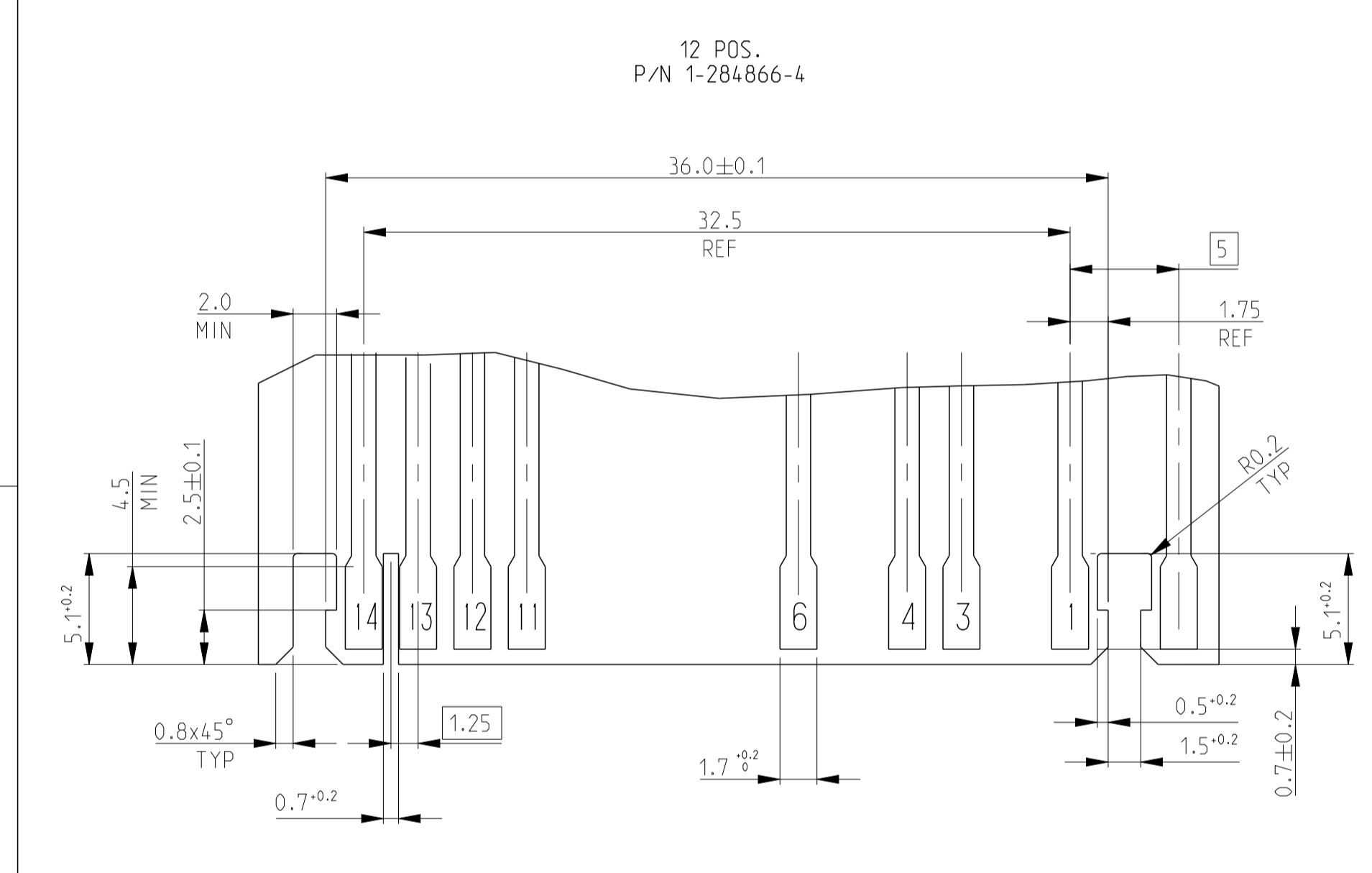
NAME: DUOPLUG 2.5 FEMALE CONN., SIDE LOCKING, KEYED (SELECTIVELY LOADED CONTACTS)
 SIZE: A1
 CAGE CODE: 00779
 DRAWING NO: C=284866
 SHEET 2 OF 4
 SCALE: 6:1
 REV: B11

STE TE Connectivity

| REVISIONS | | | | |
|-----------|------|-------------|------|-------|
| P. | LTN. | DESCRIPTION | DATE | APPV. |
| - | - | SEE SHEET 1 | - | - |



CONNECTION LAYOUT
 E.G P/N 0-284865-4
 (SCALE 4:1)



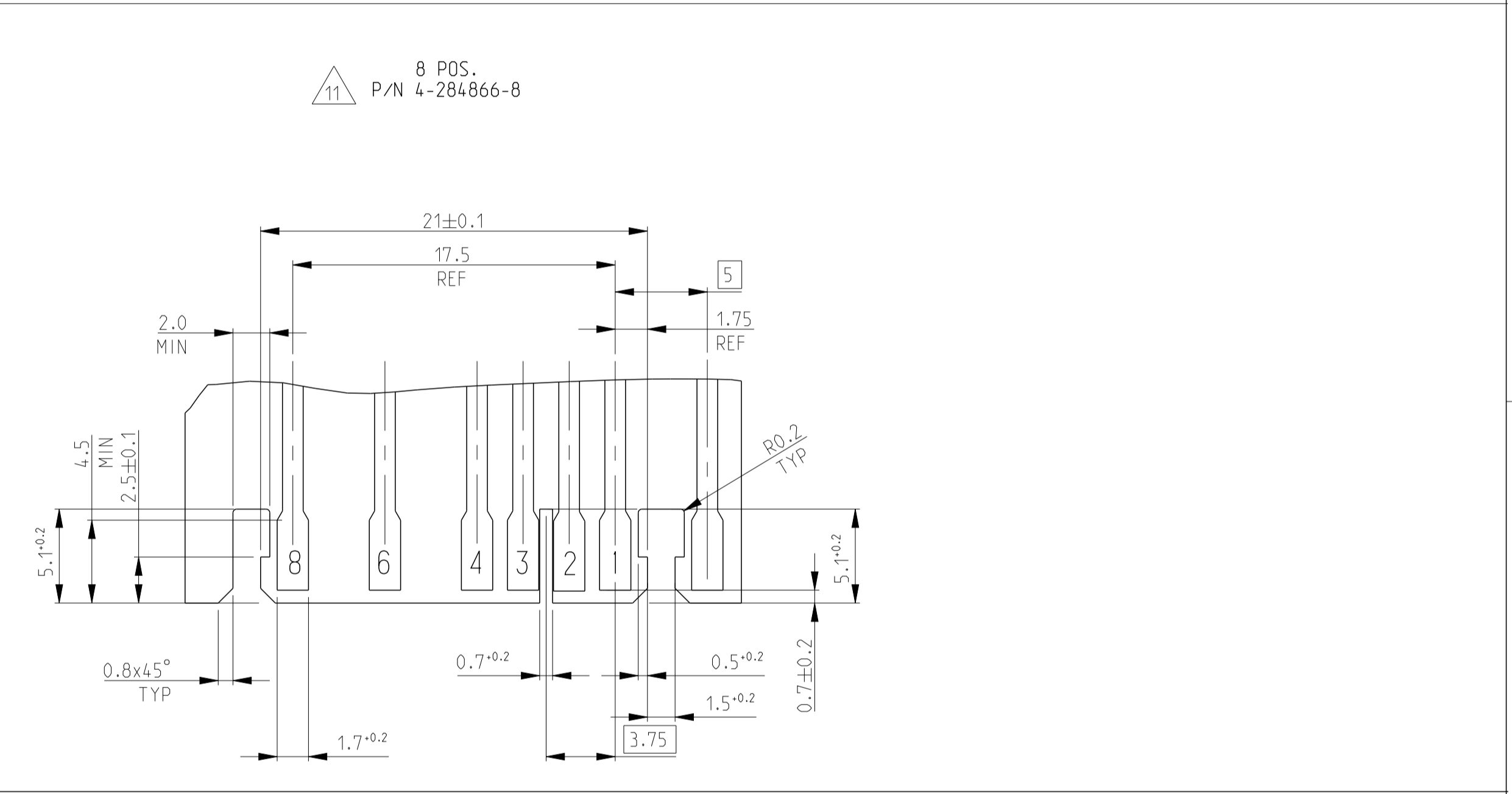
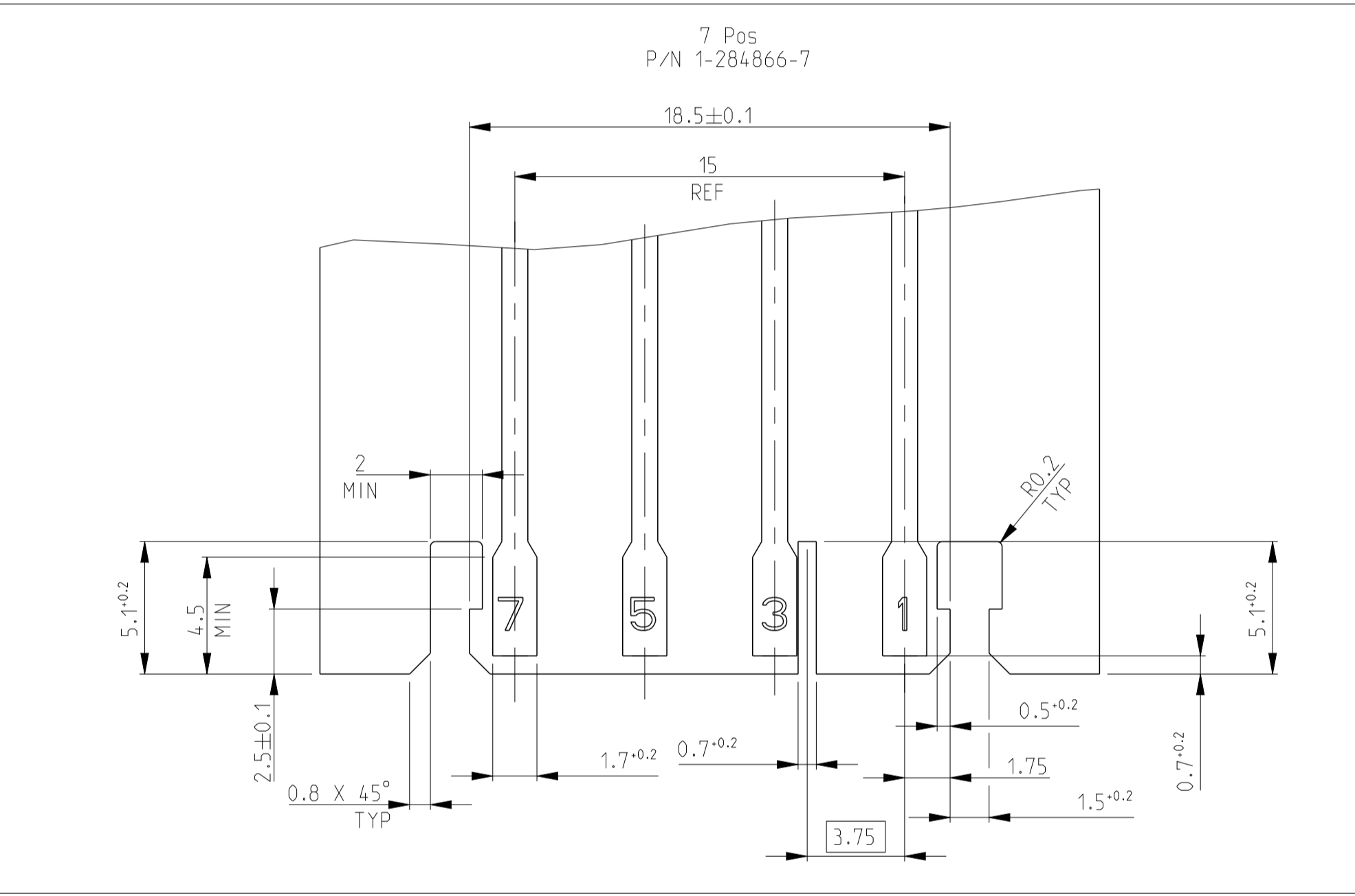
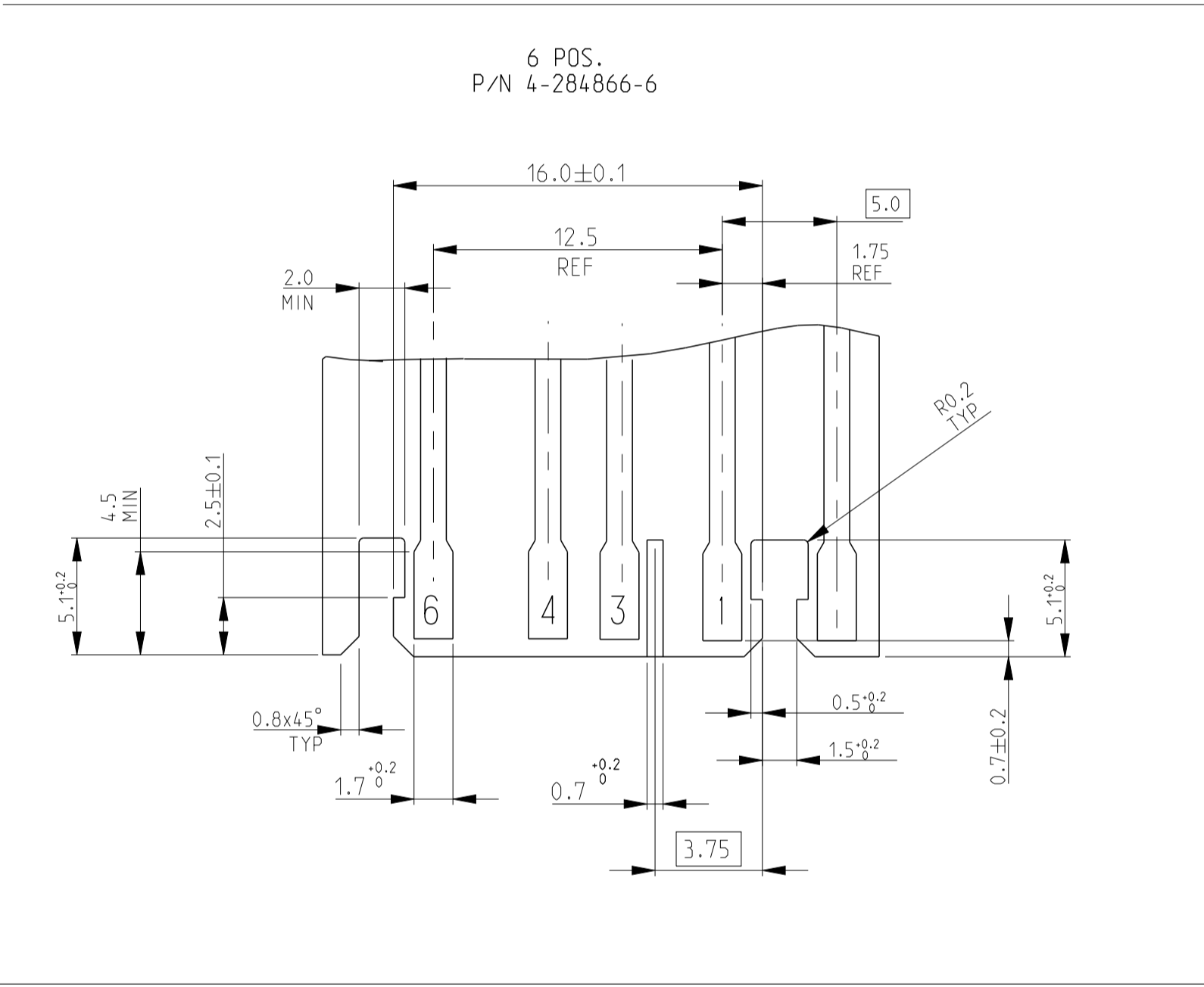
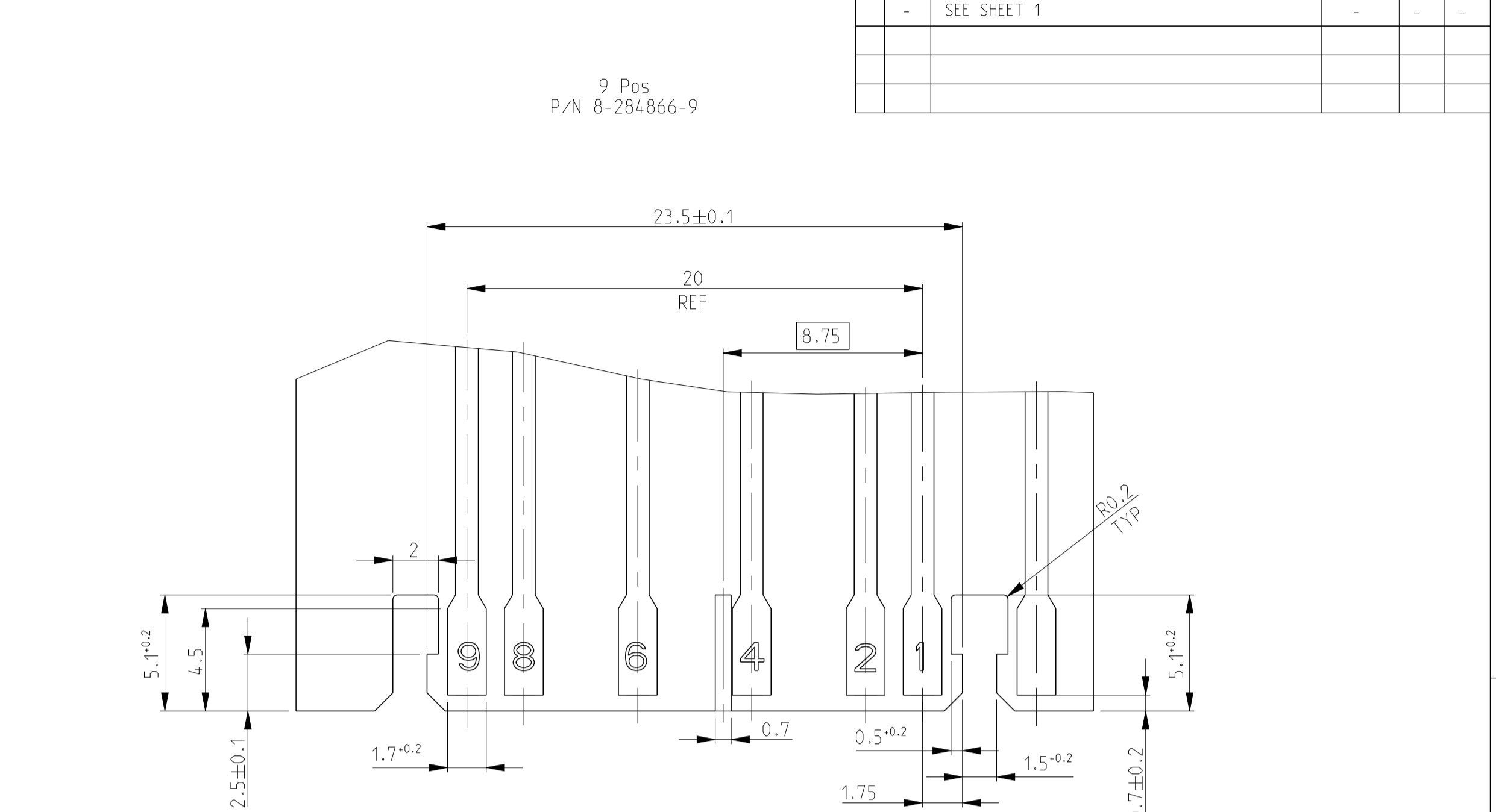
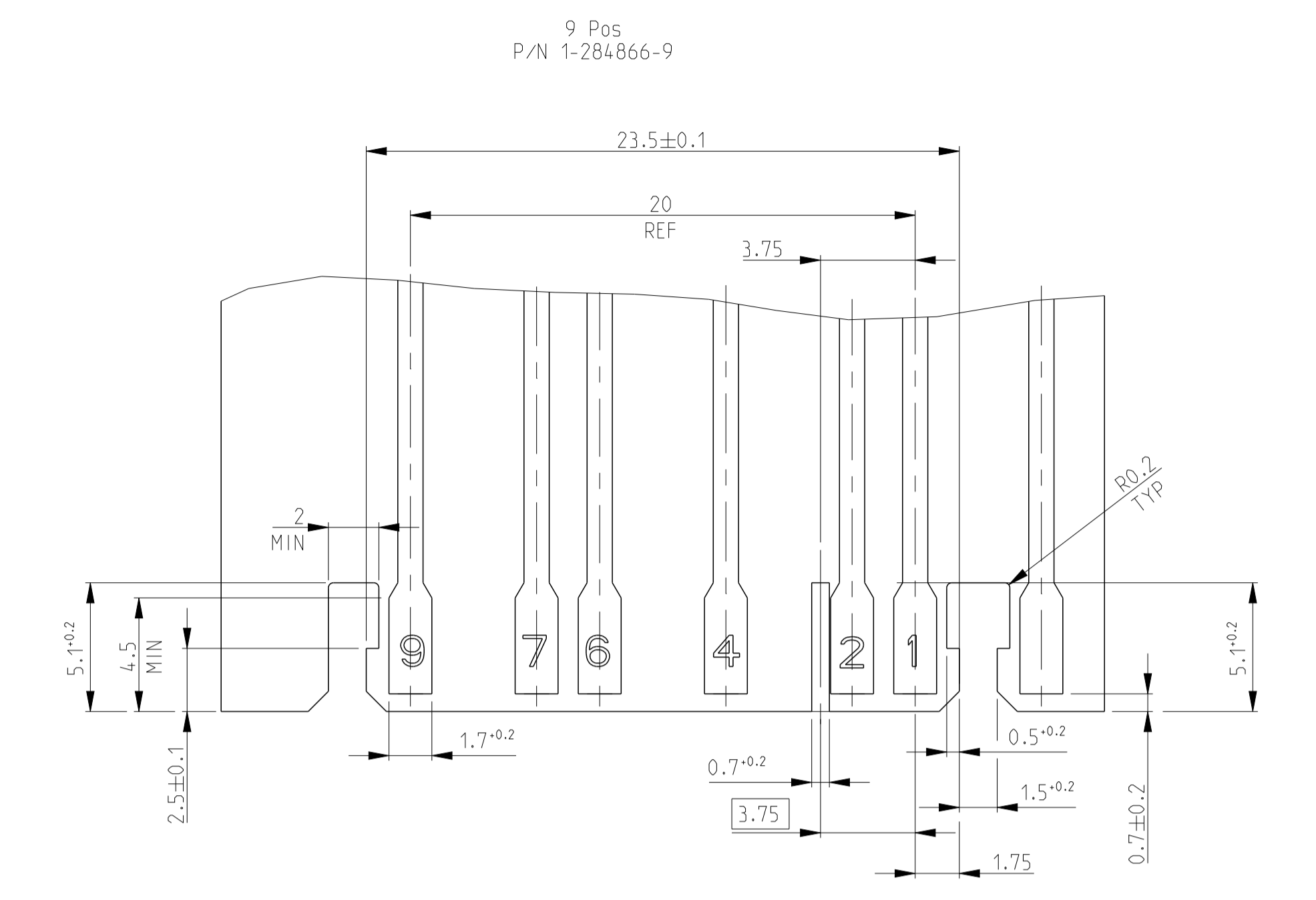
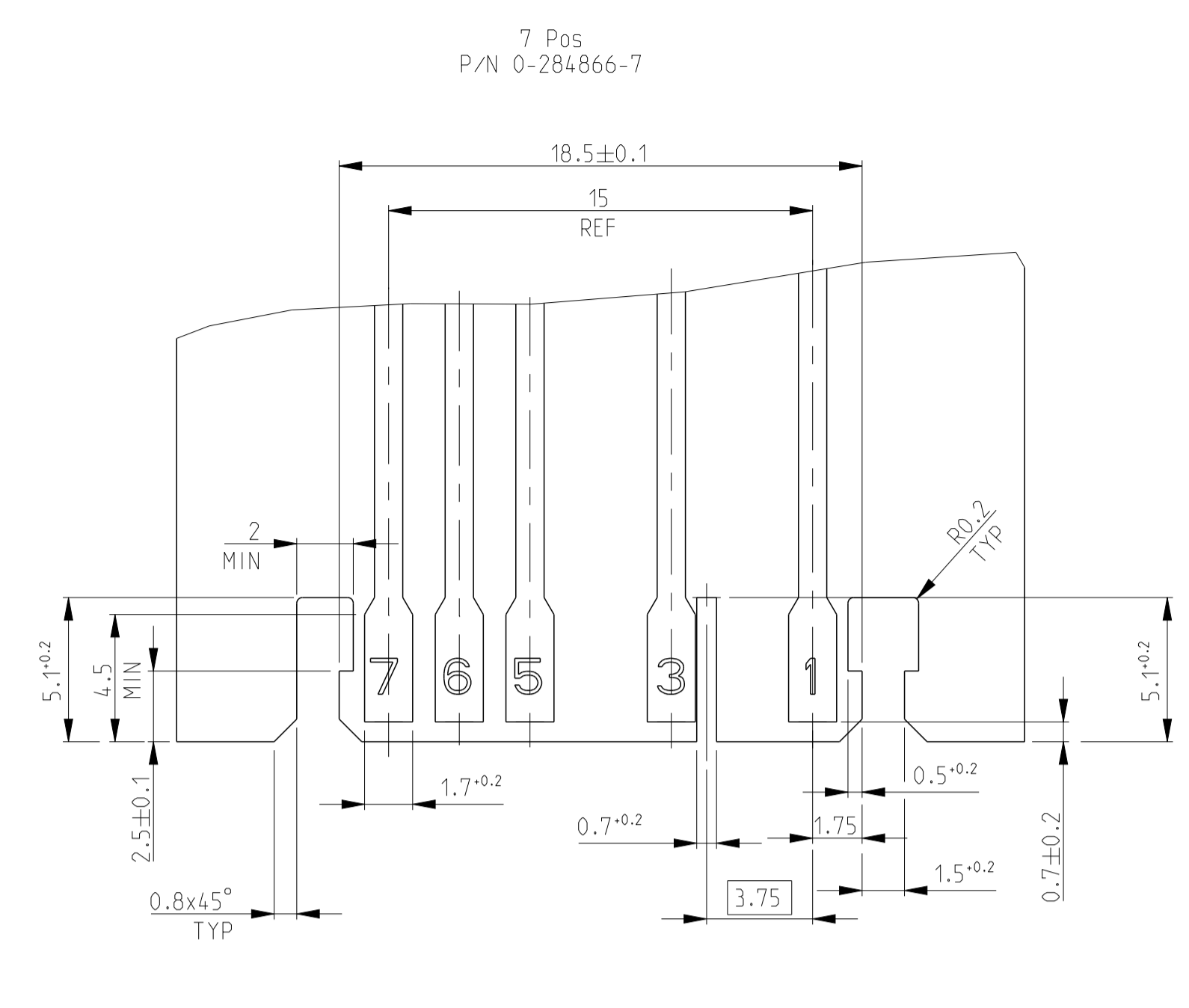
THIS DRAWING IS A CONTROLLED DOCUMENT. OWN: R. FABRIS 03JUL2002
 DIMENSIONS: mm
 TOLERANCES UNLESS OTHERWISE SPECIFIED:
 0 PLC # # #
 1 PLC # # #
 2 PLC # # #
 3 PLC # # #
 4 PLC # # #
 ANGLES # # #
 MATERIAL: SEE TABLE FINISH: SEE TABLE
 WEIGHT: -
 CUSTOMER DRAWING

APV: E. TURCO
 PRODUCT SPEC: 108-20238
 APPLICATION SPEC: 116-18049-1

NAME: DUOPLUG 2.5 FEMALE CONN., SIDE LOCKING, KEYED (SELECTIVELY LOADED CONTACTS)
 SIZE: A1
 CAGE CODE: 00779
 DRAWING NO: 284866

STE TE Connectivity
 RESTRICTED TO: B11
 SCALE: 6:1 SHEET: 3 OF 4

| REVISIONS | | | | |
|-----------|-----|-------------|------|------|
| P. | LTN | DESCRIPTION | DATE | APPV |
| - | - | SEE SHEET 1 | - | - |
| | | | | |
| | | | | |



THIS DRAWING IS A CONTROLLED DOCUMENT. DWN R. FABRIS 03JUL2002

STE TE Connectivity

NAME: DUOPLUG 2.5 FEMALE CONN., SIDE LOCKING, KEYED (SELECTIVELY LOADED CONTACTS)

PRODUCT SPEC: 108-20238

APPLICATION SPEC: 116-18049-1

SIZE: A1 CAGE CODE: 00779 DRAWING NO: 284866

RESTRICTED TO: B11

SCALE: 10:1 SHEET: 4 OF 4

CUSTOMER DRAWING

| | |
|----------------|--|
| DIMENSIONS: mm | TOLERANCES UNLESS OTHERWISE SPECIFIED: |
| 0 PLC | # |
| 1 PLC | # |
| 2 PLC | # |
| 3 PLC | # |
| 4 PLC | # |
| ANGLES | #° |
| FINISH | # |