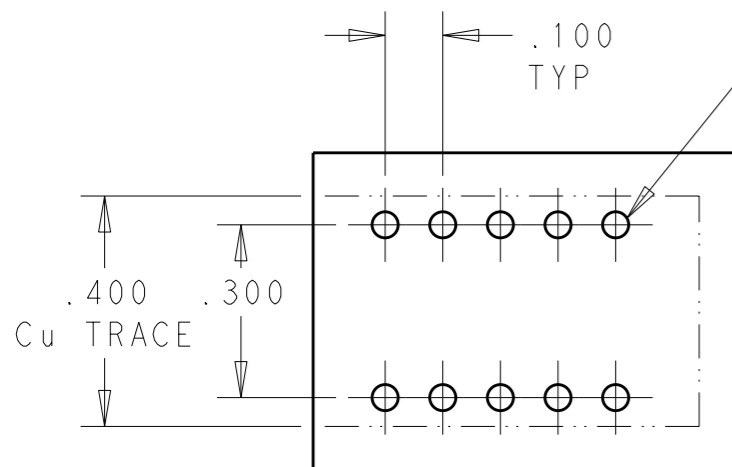


LOC GP DIST 00

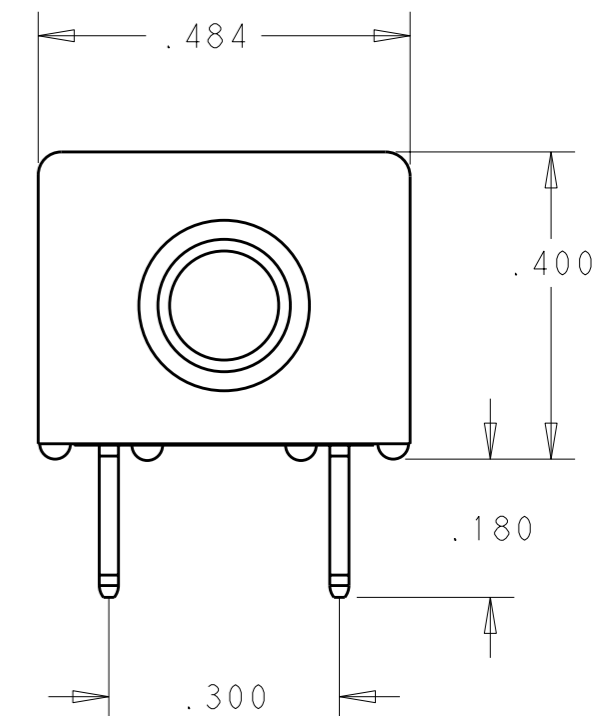
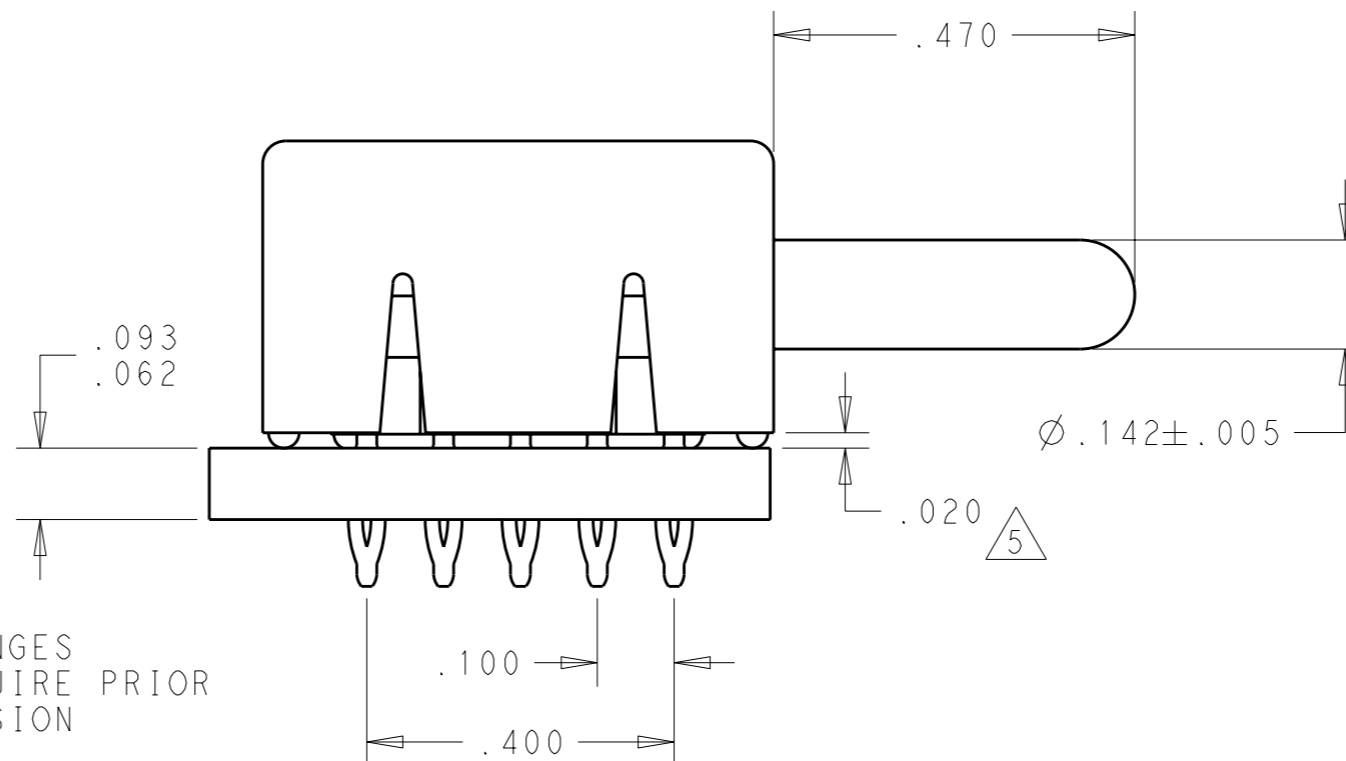
REVISIONS

P	LTR	DESCRIPTION	DATE	DWN	APVD
C		REV PER ECO-11-007678	03JUN2011	RG	DO



RECOMMENDED FOOTPRINT

DRILLED HOLE Ø .0453±.001 AFTER PLATING Ø .043/.037 10X




- PART NUMBER CHANGES AND/OR DESIGN CHANGES AFFECTING ITEM INTERCHANGEABILITY REQUIRE PRIOR TE APPROVAL AND AUTHORIZATION BY REVISION TO THIS DRAWING.
- ITEMS PROVIDED TO THIS SPECIFICATION TO BE IDENTIFIED ON CONTAINER WITH THE FOLLOWING INFORMATION: PART NUMBER & DATE CODE OF MANUFACTURE

3 MATERIALS:
 INSULATOR - POLYESTER, GLASS FILLED UL 94V-0 RATED, COLOR: BLACK
 MODULE - ZINC ALLOY
 COMPLIANT PINS - PHOSPHOR BRONZE
 CROWN - BeCu

4 FINISH:
 MODULE - SILVER PLATED .000200 MIN THK. OVER NICKEL .000040 MIN THK.
 COMPLIANT PINS - SILVER PLATED .000200 MIN THK. OVER NICKEL .000040 MIN THK.
 CROWN - GOLD PLATED .000030 MIN THK. OVER NICKEL .000040 MIN THK.

5 A FIVE POUND (5lb) FORCE REQUIRED TO CORRECTLY SEAT THE CONNECTOR WITH PLATED THRU HOLES LESS THAN Ø.040 INCH.

6643275-1
PART NUMBER

THIS DRAWING IS A CONTROLLED DOCUMENT.		DWN 11 JAN 2011 LOVATO/GRZYBOWSKI		 TE Connectivity	
DIMENSIONS: INCHES		CHK D. ORRIS			
TOLERANCES UNLESS OTHERWISE SPECIFIED:		APVD 11 JAN 2011 CHAU/ORRIS		NAME ICCON PIN, PARALLEL COMPLIANT, NON-LOCKING STYLE	
0 PLC ±- 1 PLC ±- 2 PLC ±- 3 PLC ±.020 4 PLC ±- ANGLES ±.5		PRODUCT SPEC		SIZE	
MATERIAL		APPLICATION SPEC		CAGE CODE	
FINISH		WEIGHT		DRAWING NO	
		CUSTOMER DRAWING		A300779 C-6643275	
		SCALE 4:1		RESTRICTED TO	
		SHEET 1 OF 1		REV C	