



Is Now Part of



**ON Semiconductor®**

To learn more about ON Semiconductor, please visit our website at  
[www.onsemi.com](http://www.onsemi.com)

ON Semiconductor and the ON Semiconductor logo are trademarks of Semiconductor Components Industries, LLC dba ON Semiconductor or its subsidiaries in the United States and/or other countries. ON Semiconductor owns the rights to a number of patents, trademarks, copyrights, trade secrets, and other intellectual property. A listing of ON Semiconductor's product/patent coverage may be accessed at [www.onsemi.com/site/pdf/Patent-Marking.pdf](http://www.onsemi.com/site/pdf/Patent-Marking.pdf). ON Semiconductor reserves the right to make changes without further notice to any products herein. ON Semiconductor makes no warranty, representation or guarantee regarding the suitability of its products for any particular purpose, nor does ON Semiconductor assume any liability arising out of the application or use of any product or circuit, and specifically disclaims any and all liability, including without limitation special, consequential or incidental damages. Buyer is responsible for its products and applications using ON Semiconductor products, including compliance with all laws, regulations and safety requirements or standards, regardless of any support or applications information provided by ON Semiconductor. "Typical" parameters which may be provided in ON Semiconductor data sheets and/or specifications can and do vary in different applications and actual performance may vary over time. All operating parameters, including "Typicals" must be validated for each customer application by customer's technical experts. ON Semiconductor does not convey any license under its patent rights nor the rights of others. ON Semiconductor products are not designed, intended, or authorized for use as a critical component in life support systems or any FDA Class 3 medical devices or medical devices with a same or similar classification in a foreign jurisdiction or any devices intended for implantation in the human body. Should Buyer purchase or use ON Semiconductor products for any such unintended or unauthorized application, Buyer shall indemnify and hold ON Semiconductor and its officers, employees, subsidiaries, affiliates, and distributors harmless against all claims, costs, damages, and expenses, and reasonable attorney fees arising out of, directly or indirectly, any claim of personal injury or death associated with such unintended or unauthorized use, even if such claim alleges that ON Semiconductor was negligent regarding the design or manufacture of the part. ON Semiconductor is an Equal Opportunity/Affirmative Action Employer. This literature is subject to all applicable copyright laws and is not for resale in any manner.



# FAN7554 Versatile PWM Controller

## Features

- Current mode control
- Pulse-by-Pulse Current Limiting
- Low External Components
- Under-Voltage Lockout(UVLO): 9 V/15 V
- Stand-by Current: Typical: 100  $\mu$ A
- Power Saving Mode Current: Typical: 200  $\mu$ A
- Operating Current: Typical. 7 mA
- Soft-Start
- On/Off Control
- Overload Protection (OLP)
- Over-Voltage Protection (OVP)
- Over-Current Protection (OCP)
- Over-Current Limit (OCL)
- Operating Frequency up to 500 kHz
- 1 A Totem-Pole Output Current

## Description

The FAN7554 is a fixed frequency current mode PWM controller. It is specially designed for off-line and DC to DC converter applications with minimal external components. These integrated circuits feature a trimmed oscillator for precise duty cycle control, a temperature compensated reference, an ON/OFF control, a high gain error amplifier, a current sensing comparator, and a high current totem-pole output. The FAN7554 has various protection functions such as an overload protection, an over-current protection, and the over-voltage protection, which include built-in auto restart circuit. The FAN7554 is available in the 8-DIP package.

8-DIP



Figure 1. 8-Dip Package

## Applications

- Off-Line & DC-DC Converter

## Ordering Information

Part Number	Operating Temperature Range	Package	Packing Method
FAN7554	-25 to 85°C	8-Lead Dual Inline Package (DIP)	Rail

Block Diagram

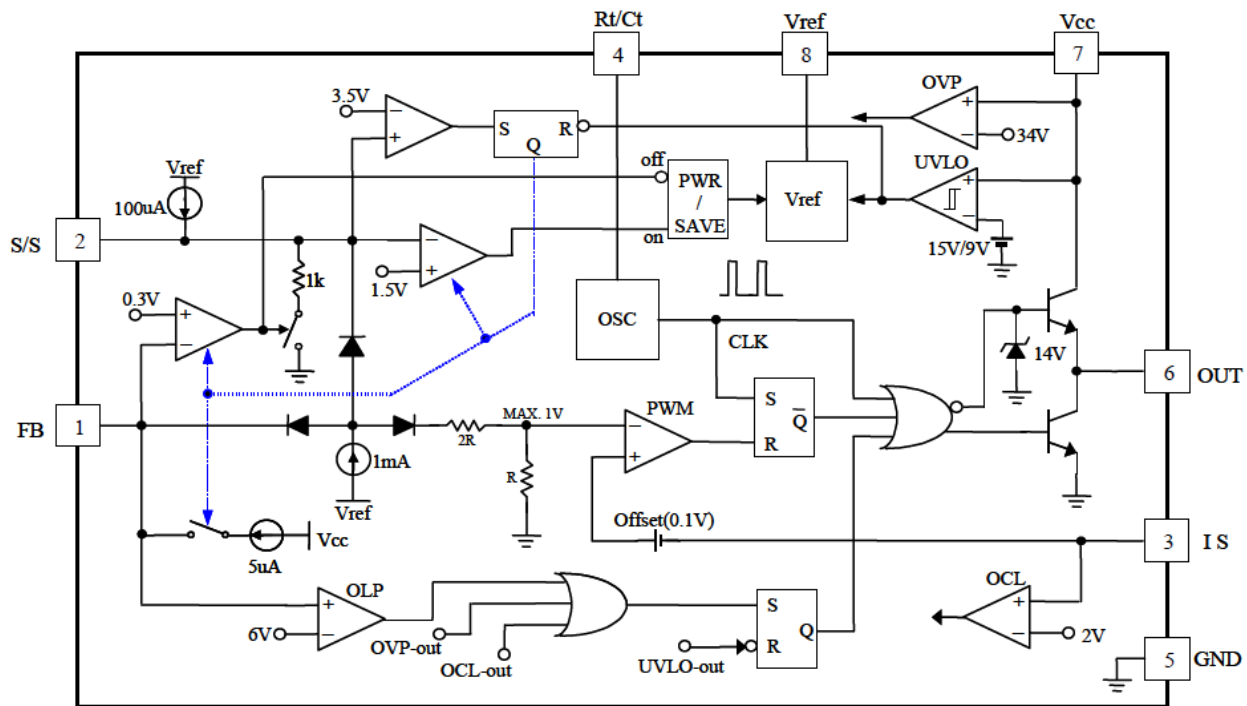


Figure 2. Block Diagram

### Pin Configuration / Marking Information

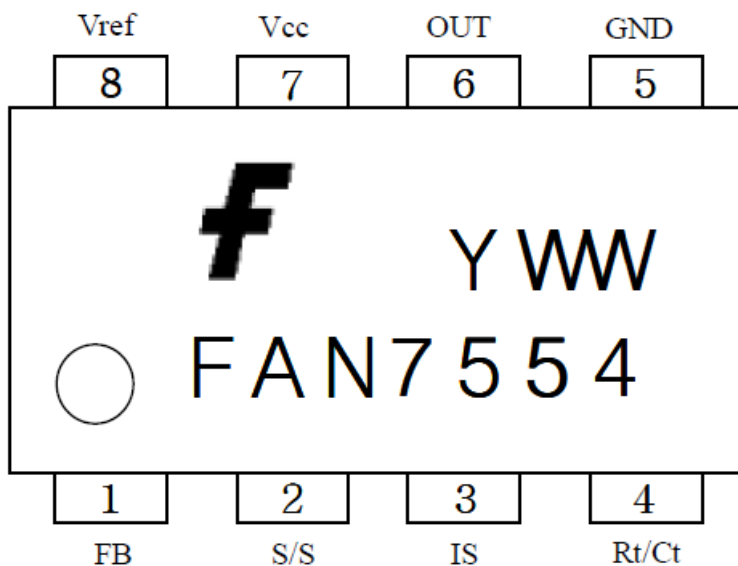


Figure 3. Pin Assignment (Top Through View)

### Pin Descriptions

Pin #	Pin Name	Description
1	FB	Inverting(-) Input of pwm Comparator, On/Off Control & OLP Sensing Terminal
2	S/S	Soft-Start
3	IS	Non-inverting(+) Input of PWM Comparator, OCL Sensing Terminal
4	Rt/Ct	Oscillator Time Constant (Rt/Ct)
5	GND	Ground
6	OUT	Output of Gate Driver
7	V <sub>CC</sub>	Power Supply
8	V <sub>REF</sub>	Output of 5 V Reference

## Absolute Maximum Ratings

Stresses exceeding the absolute maximum ratings may damage the device. The device may not function or be operable above the recommended operating conditions and stressing the parts to these levels is not recommended. In addition, extended exposure to stresses above the recommended operating conditions may affect device reliability. The absolute maximum ratings are stress ratings only.

Symbol	Parameter	Min.	Max.	Unit
V <sub>CC</sub>	Supply Voltage		30	V
I <sub>O</sub>	Output Current		±1	A
V <sub>FB</sub>	Input Voltage to FB Pin		-0.3 to V <sub>SD</sub>	V
V <sub>IS</sub>	Input Voltage to IS Pin		-0.3 to V <sub>OC</sub>	V
P <sub>D</sub>	Power Dissipation at T <sub>A</sub> ≤ 25°C		0.85	W
T <sub>OPR</sub>	Operating Temperature	-25	85	°C
T <sub>STG</sub>	Storage Temperature	-55	150	°C
R <sub>θJA</sub>	Thermal Resistance, Junction-to-Air <sup>(1)</sup>		147.8	°C/W

### Note:

- Junction -to -air thermal resistance test environments:
  - JESD51-2: Integrated circuits thermal test method environmental conditions-natural convection (still air).
  - JESD51-3: Low effective thermal conductivity test board for leaded surface mount packages.

## Temperature Characteristics

Symbol	Parameter	Min.	Max.	Unit
ΔV <sub>REF3</sub>	V <sub>REF</sub> Temperature Stability		±0.5	%
Δf <sub>OSC2</sub>	f <sub>OSC</sub> Temperature Stability		±5	%

## Electrical Characteristics

Unless otherwise specified,  $T_A = 25^\circ\text{C}$ ,  $V_{CC} = 16\text{ V}$ ,  $R_t = 10\text{ k}\Omega$ ,  $C_t = 3.3\text{ nF}$ .

Symbol	Parameter	Conditions	Min.	Typ.	Max.	Unit
<b>Reference Section</b>						
$V_{REF}$	Reference Output Voltage	$T_J = 25^\circ\text{C}$ , $I_{REF} = 1\text{ mA}$	4.90	5.00	5.10	V
$\Delta V_{REF1}$	Line Regulation	$V_{CC} = 12\text{ V} \sim 25\text{ V}$		6	20	mV
$\Delta V_{REF2}$	Load Regulation	$I_{REF} = 1\text{ mA} \sim 20\text{ mA}$		6	25	mV
$I_{SC}$	Short-Circuit Output Current	$T_J = 25^\circ\text{C}$		0.10	0.18	A
<b>Oscillator Section</b>						
$f_{OSC}$	Oscillation Frequency	$T_J = 25^\circ\text{C}$	45	50	55	kHz
$\Delta f_{OSC1}$	Frequency Change with $V_{CC}$	$V_{CC} = 12\text{ V} \sim 25\text{ V}$		0.05	1.00	%
$V_{RH}$	Ramp High Voltage			2.8		V
$V_{RL}$	Ramp Low Voltage			1.2		V
$I_{disch}$	Discharge Current	$V_{RT/CT} = 3.3\text{ V}$	6.1		9.4	mA
<b>PWM Section</b>						
$V_{TH(IS)}$	Sense Threshold Voltage	$V_{FB} = 5\text{ V}$	0.8	1.0	1.2	V
$V_{TH(FB)}$	Feedback Threshold Voltage	$V_{IS} = 0\text{ V}$	0.2	0.3	0.4	V
$I_{FB}$	Feedback Source Current	$V_{FB} = 0\text{ V}$ , $V_{S/S} = 5\text{ V}$		1.0		mA
$D_{(MAX)}$	Max. Duty Cycle		92	95	98	%
$D_{(MIN)}$	Min. Duty Cycle				0	%
<b>Protection Section</b>						
$I_{SD}$	Shutdown Delay Current	$4\text{ V} \leq V_{FB} \leq V_{SD}$	3.5	5.0	6.5	$\mu\text{A}$
$V_{SD}$	Shutdown Feedback Voltage	$V_{FB} > 5\text{ V}$	5.4	6.0	6.6	V
$V_{OC}$	Over-Current Protection	$V_{IS} > 1.5\text{ V}$ , $t_{ON} > 500\text{ nS}$	1.6	2.0	2.4	V
$V_{OVP}$	Over-Voltage Protection		30	34	38	V
<b>ON/OFF Control Section</b>						
$I_{SINK}$	Off Mode Sink Current	$V_{FB} < V_{TH(FB)}$ , $V_{S/S} = 5\text{ V}$		4		mA
$V_{OFF}$	Off Threshold Voltage	$V_{FB} < V_{TH(FB)}$	1.2	1.5	1.8	V
<b>Soft-Start Section</b>						
$I_{S/S}$	Soft-Start Current	$V_{FB} = 5\text{ V}$ , $V_{S/S} = 0\text{ V}$		1.1		mA
$V_{LIM(S/S)}$	Soft-Start Limit Voltage	$V_{CC} = 16\text{ V}$		5.2		V

Continued on the following page...

**Electrical Characteristics** (Continued)

Unless otherwise specified,  $T_A = 25^\circ\text{C}$ ,  $V_{CC} = 16\text{ V}$ ,  $R_t = 10\text{ k}\Omega$ ,  $C_t = 3.3\text{ nF}$ .

Symbol	Parameter	Conditions	Min.	Typ.	Max.	Unit
<b>Output Section</b>						
$V_{OL1}$	Low Output Voltage1	$V_{CC} = 18\text{ V}$ , $I_o = 50\text{ mA}$		0.15	0.40	V
$V_{OH1}$	High Output Voltage1	$V_{CC} = 18\text{ V}$ , $I_o = -50\text{ mA}$	13	15	17	V
$V_{OL2}$	Low Output Voltage2	$V_{CC} = 18\text{ V}$ , $I_o = 200\text{ mA}$		1.5	2.5	V
$V_{OH2}$	High Output Voltage2	$V_{CC} = 18\text{ V}$ , $I_o = -200\text{ mA}$	12	14	16	V
$t_R$	Rise Time <sup>(2)</sup>	$T_J = 25^\circ\text{C}$ , $C_L = 1\text{ nF}$		80		ns
$t_F$	Fall Time <sup>(2)</sup>	$T_J = 25^\circ\text{C}$ , $C_L = 1\text{ nF}$		40		ns
<b>UVLO Section</b>						
$V_{TH(ST)}$	Start Threshold Voltage		13.2	15.0	16.2	V
$V_{OPR(M)}$	Min. Operating Voltage		8.2	9.0	10.2	V
<b>Total Standby Current Section</b>						
$I_{ST}$	Startup Current			0.1	0.2	mA
$I_{OP}$	Operating Supply Current			7	10	mA
$I_{OFF}$	Off-State Current	$V_{FB} < V_{TH(FB)}$ , $V_{S/S} < V_{OFF}$		0.2	0.4	mA

**Note:**

- These parameters, although guaranteed, are not 100% tested in production.

### Typical Performance Characteristics

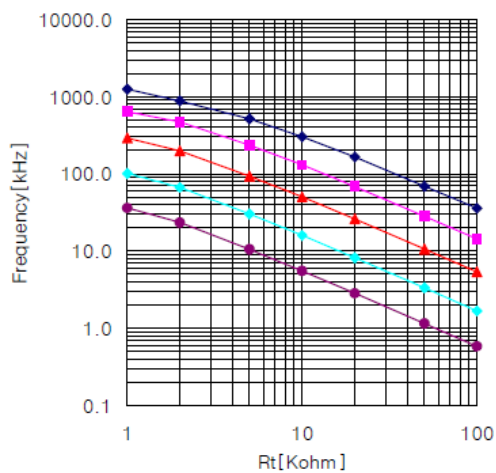


Figure 4. Rt vs. Frequency

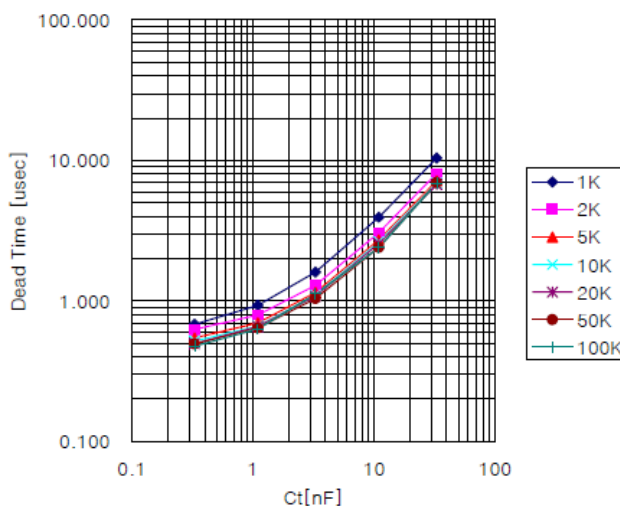


Figure 5. Ct vs. Dead Time

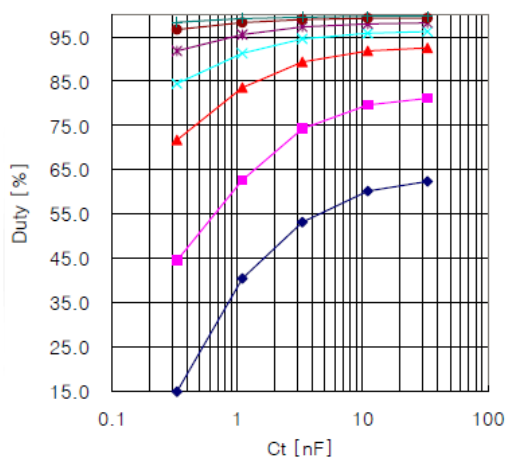


Figure 6. Ct vs. Duty

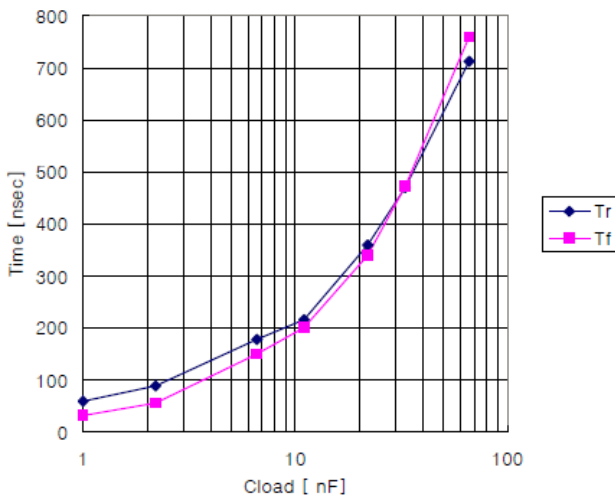


Figure 7. Cloud vs.  $t_R$  &  $t_F$

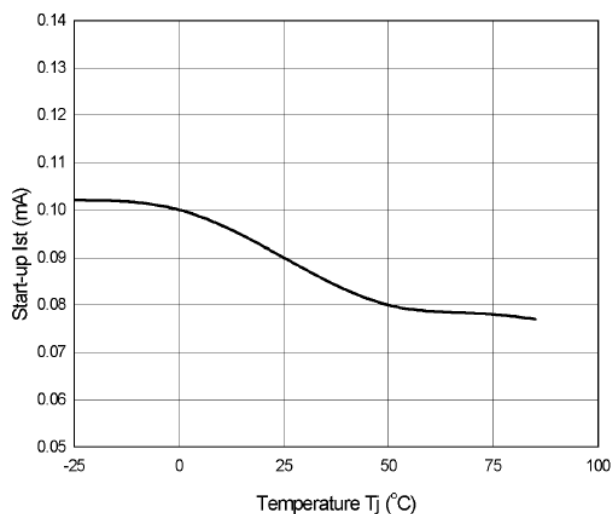


Figure 8. Temperature vs. Startup Current

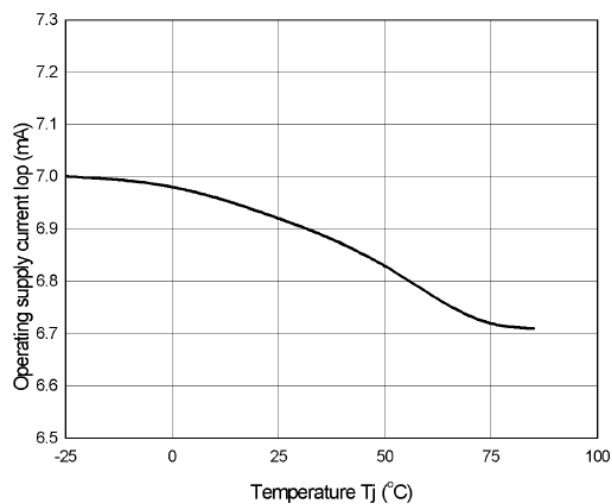


Figure 9. Temperature vs. Operating Supply Current



## Typical Performance Characteristics

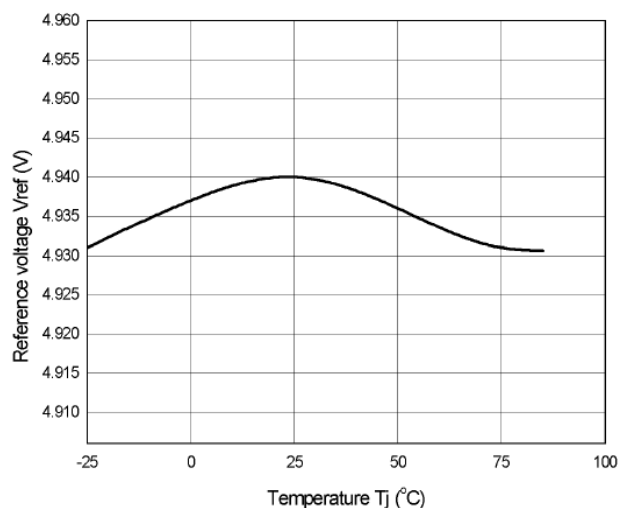


Figure 10. Temperature vs. Reference Voltage

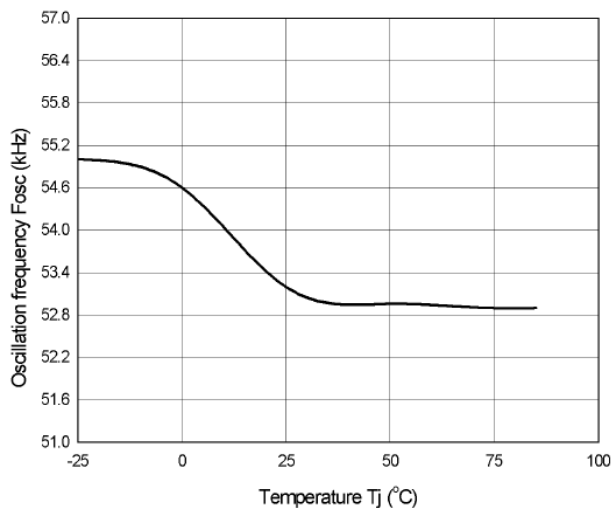


Figure 11. Temperature vs. Oscillation Frequency

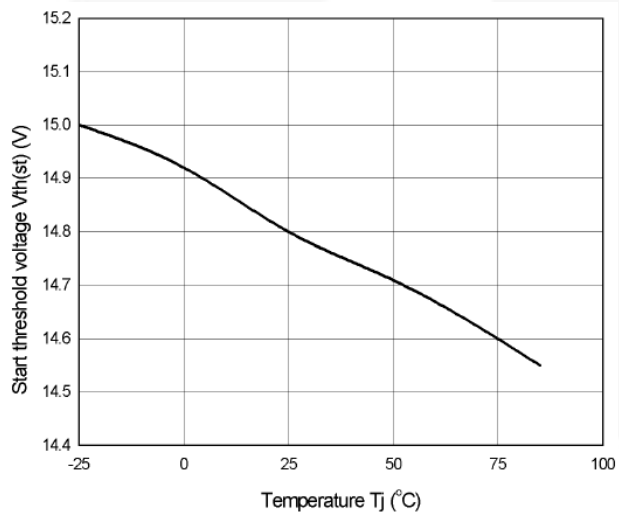


Figure 12. Temperature vs. Start Threshold Voltage

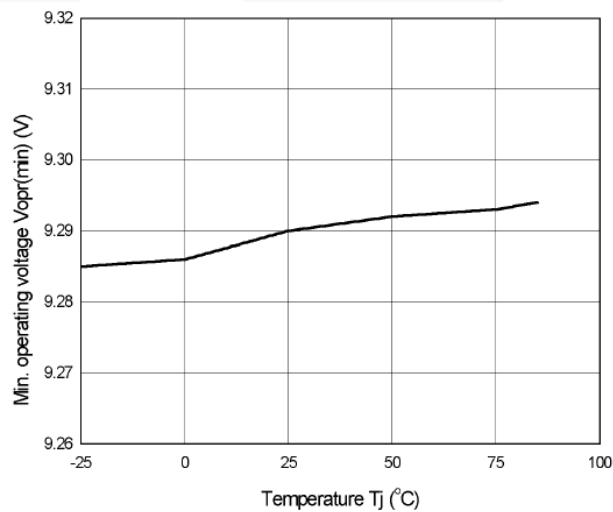


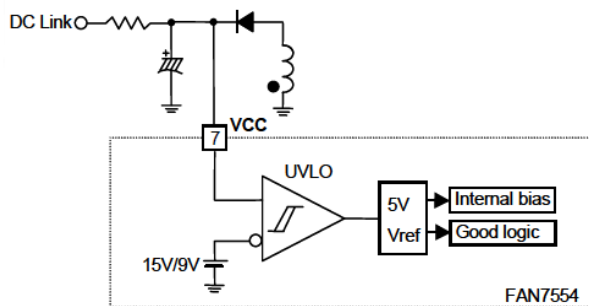
Figure 13. Temperature vs. Min. Operating Voltage

## Operation Description

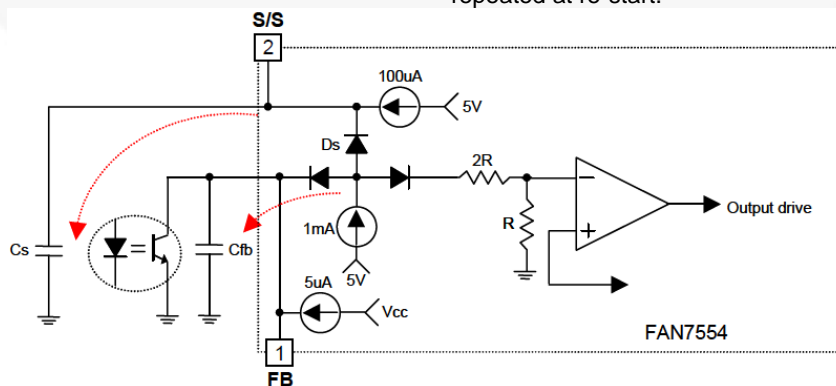
The FAN7554 has all the basic features of the current mode SMPS control IC. Its basic configuration includes the UVLO with 6 V hysteresis, a band gap reference, the oscillator that can oscillate up to 500 kHz according to  $R_i/C_i$  (connected externally), a PWM logic circuit, a gate driver, and the feedback circuit that has the current source and soft start function. The FAN7554 has various functions such as an overload protection, an over current protection, and an over-voltage protection. The overload protection forces the FAN7554 to stop its operation if the load current is higher than the preset value. The protection circuit can also be prevented from operating during transient states by ensuring that a certain amount of the time passes before the protection circuit operates. The shutdown circuit is configured for an auto-restart, so the FAN7554 automatically restarts when  $V_{CC}$  drops to 9 V (stop voltage).

### Startup

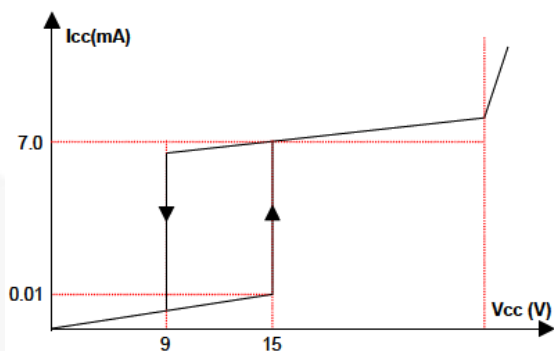
The startup circuit is made up of an Under-Voltage Lockout (UVLO), the protection for low voltage conditions, and the 5 V reference ( $V_{REF}$ ), which supplies bias voltage to the control circuit after startup. The start voltage of the UVLO is 15 V, and the stop voltage after turn on is 9 V. It has a 6 V hysteresis. The minimum operating current for startup threshold is typically 100  $\mu$ A, and this can reduce the power dissipation on the startup resistor. The  $V_{REF}$  is composed of the band gap reference circuit with its superior temperature characteristics and supplies power to all the FAN7554 circuits and  $R_i/C_i$ , with the exceptions of the ULVO circuit and ON/OFF control circuit.



**Figure 14. Low Current Startup & Bandgap Reference Circuit**



**Figure 16. Soft Start Circuit & Circuit Flow**



**Figure 15. Startup & Circuit Characteristics**

### Soft Start

The SMPS output load usually contains a capacitive load component. During initial startup, the output voltage increases at a fixed time constant because of this component. If the feedback loop, which controls the output voltage, was to start without the soft-start circuit, the feedback loop would appear to be open during initial startup, so, at startup, the feedback voltage applied to the PWM comparator's inverting input (-) reaches its maximum value (1 V).

During this time, the peak value of the drain current would stay at the maximum value, and the maximum power would be delivered to the secondary load side from the start. When the maximum power is delivered to the secondary side for this initial fixed time, the entire circuit is seriously stressed. The use of a soft-start can avoid such stresses. At startup, the soft-start capacitor  $C_S$  is charged by 1 mA and 100  $\mu$ A current sources.

The voltage of the inverting terminal of the PWM comparator increases to 1/3 of the  $C_S$  voltage at a fixed time constant. Subsequently, the drain peak current is limited by the gradual increase in the  $C_S$  voltage and this causes the output voltage to increase smoothly. When the  $C_S$  voltage becomes greater than 3 V, the diode  $D_S$  turns off consequently, the feedback capacitor  $C_{FB}$  is charged by 1 mA and 5  $\mu$ A current sources. This charge voltage determines the comparator's inverting voltage. Then,  $C_S$  voltage charges to 5 V by 100  $\mu$ A current source. The soft start capacitor  $C_S$  is discharged when the UVLO good logic starts, so the soft start is repeated at re-start.

### Oscillator

As shown in Figure 17, the oscillator frequency is programmed by values selected for timing components  $R_t$  and  $C_t$ . Capacitor  $C_t$  is charged to almost 2.8 V through resistor  $R_t$  from the 5 V reference and discharged to 1.2 V by an internal current source. The oscillator generates the clock signal while the timing capacitor  $C_t$  is discharged. The gate drive output becomes low during the clock time.  $R_t$  and  $C_t$  selection determine the oscillator frequency and maximum duty cycle. Charge and discharge times can be calculated through the equations below.

Charging Time:  $t_c = 0.55 \times R_t \times C_t$

Discharging Time:  $t_d = R_t \times C_t \times \ln[(0.0063 \times R_t - 2.8) / (0.0063 \times R_t - 3.8)]$

Where the oscillator frequency:  $f_{osc} = (t_c + t_d)^{-1} (\pm 10\%)$ .

When  $R_t > 5 \text{ k}\Omega$ ,  $f_{osc} = 1 / (0.55 \times R_t \times C_t) = 1.8 / (R_t \times C_t)$ .

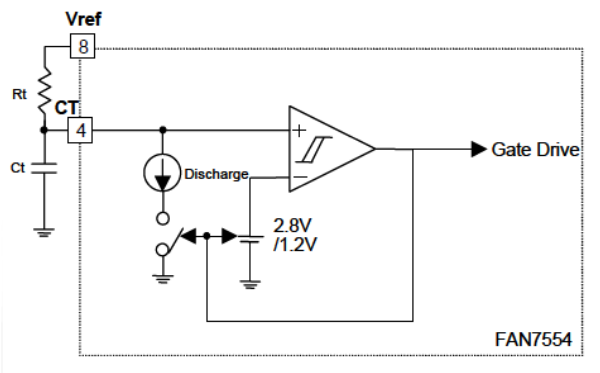


Figure 17. Oscillator Circuit

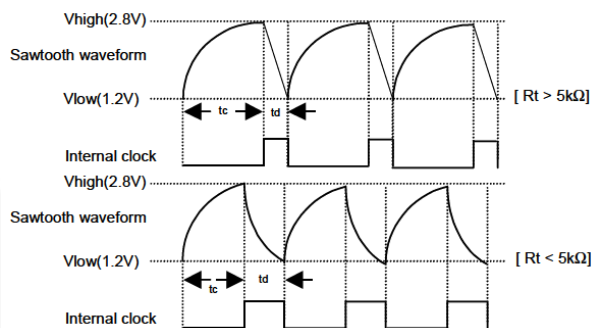


Figure 18. Sawtooth & Clock Waveform

### Feedback

As shown in Figure 16, the internal oscillator clock turns on the MOSFET. The feedback comparator operates to turn it off again, when the MOSFET current reaches a set value proportional to  $V_{FB}$ . The feedback capacitor  $C_{FB}$  is charged by the internal current sources, 1 mA and 5  $\mu\text{A}$ , and is discharged by the secondary side photo-coupler to control the output voltage.

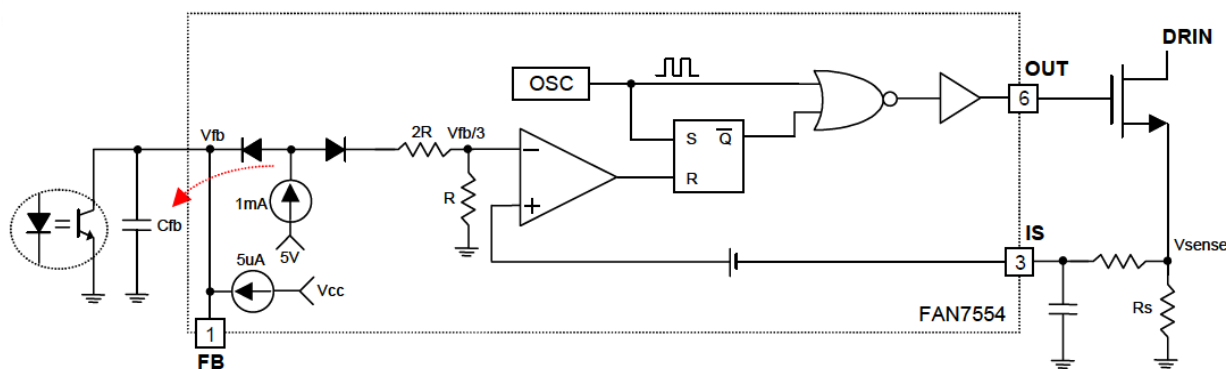


Figure 19. Feedback & PWM Circuit

### Delayed Shutdown

During the normal operation, the feedback voltage is between 0~3 V. If the output terminal overloads or an error happens to the feedback loop, the delayed shutdown circuit operates. When the feedback voltage is less than 3 V, the feedback capacitor is charged by current sources, 1 mA and 5  $\mu$ A; when the feedback voltage becomes greater than 3 V, the capacitor is

charged by the 5  $\mu$ A current source because diode D1 turns off. When the feedback voltage is less than 3 V, the charge slope becomes an exponential function and, when it is greater than 3 V, the charge slope becomes linear. When the feedback voltage reaches almost 6 V, the FAN7554 shuts down. The shut down circuit is configured for auto-restart, so it automatically restarts when  $V_{CC}$  reaches the under voltage 9 V.

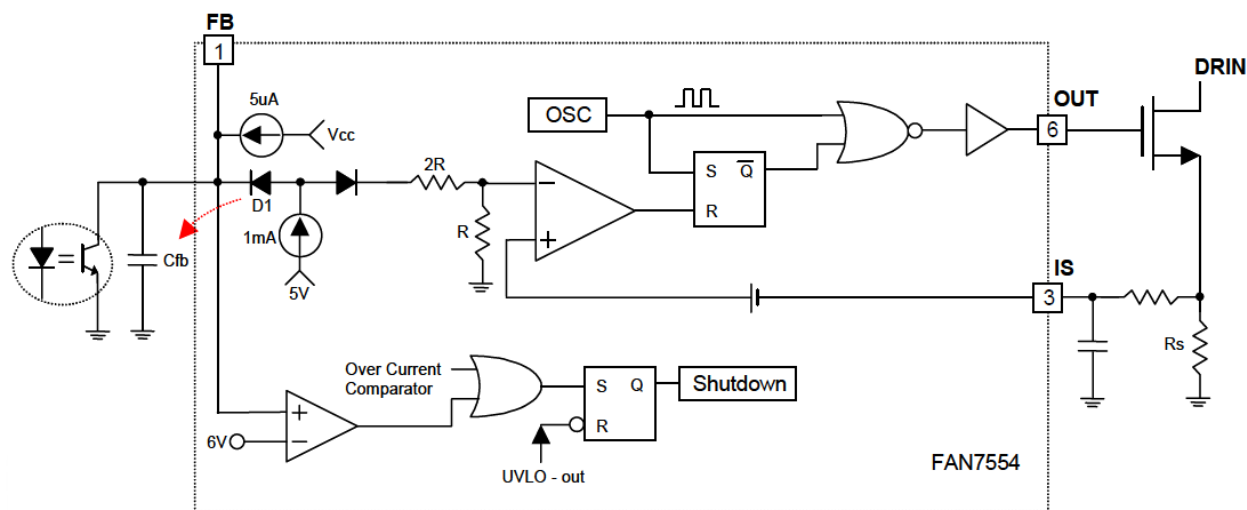


Figure 20. Delayed Shutdown & Feedback Circuit

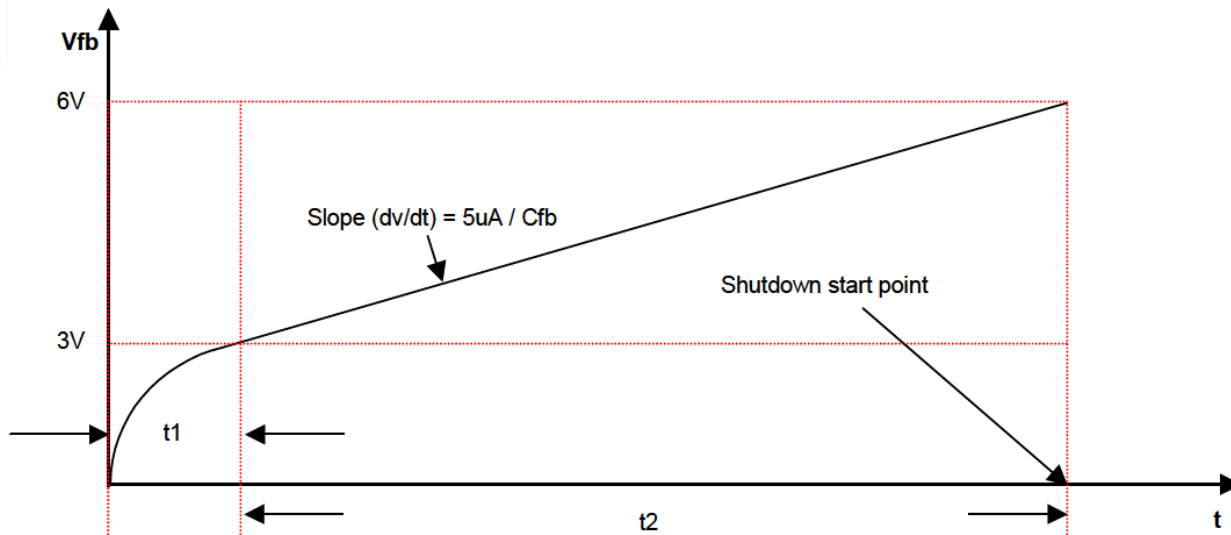


Figure 21. Delayed Shutdown & Feedback Waveform

### Gate Driver

The gate drive circuit has the totem-pole output configuration. The output has 1 A peak current and 200 mA average current drive ability.

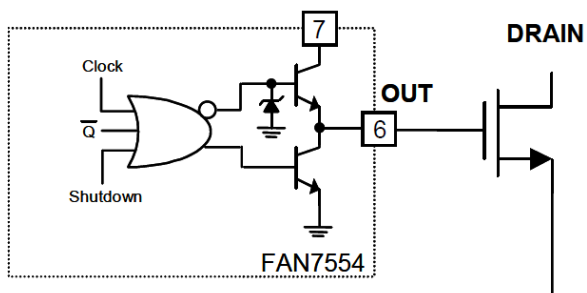


Figure 22. Gate Drive Circuit

### ON/OFF Control

The FAN7554 is able to use the feedback pin for ON/OFF control by placing NPN transistor between the cathode of the KA431 and ground as shown in Figure 23. When the transistor turns on, the current flows through the photo diode and saturates the photo transistor. As a result, the feedback voltage is dropped to zero. When the feedback voltage is below 0.3 V, the soft start voltage starts to discharge by connecting the internal resistor 1 kΩ in parallel with the external capacitor Cs. When the soft-start voltage becomes less than 1.5 V, all the blocks in the FAN7554 are turned off, with the exceptions of the UVLO block and ON/OFF control block. The operation current is about 200 μA. So the stand-by power is reduced and SMPS efficiency is improved. When the feedback voltage exceeds 0.3 V, the FAN7554 normally operates by turning on VREF block.

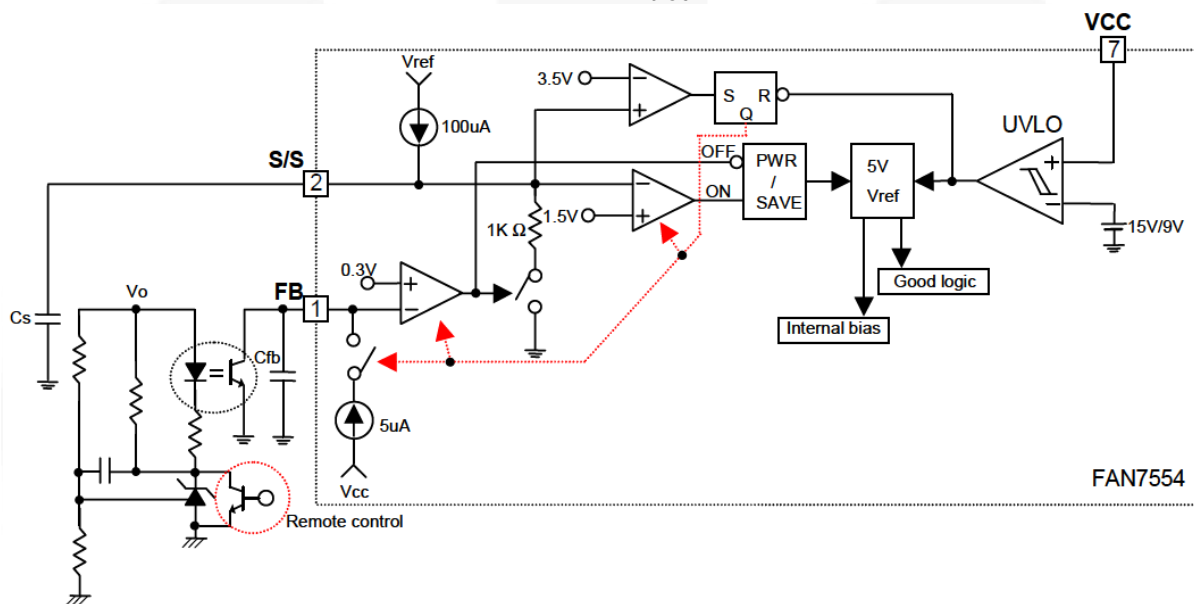


Figure 23. ON/OFF Control Circuit

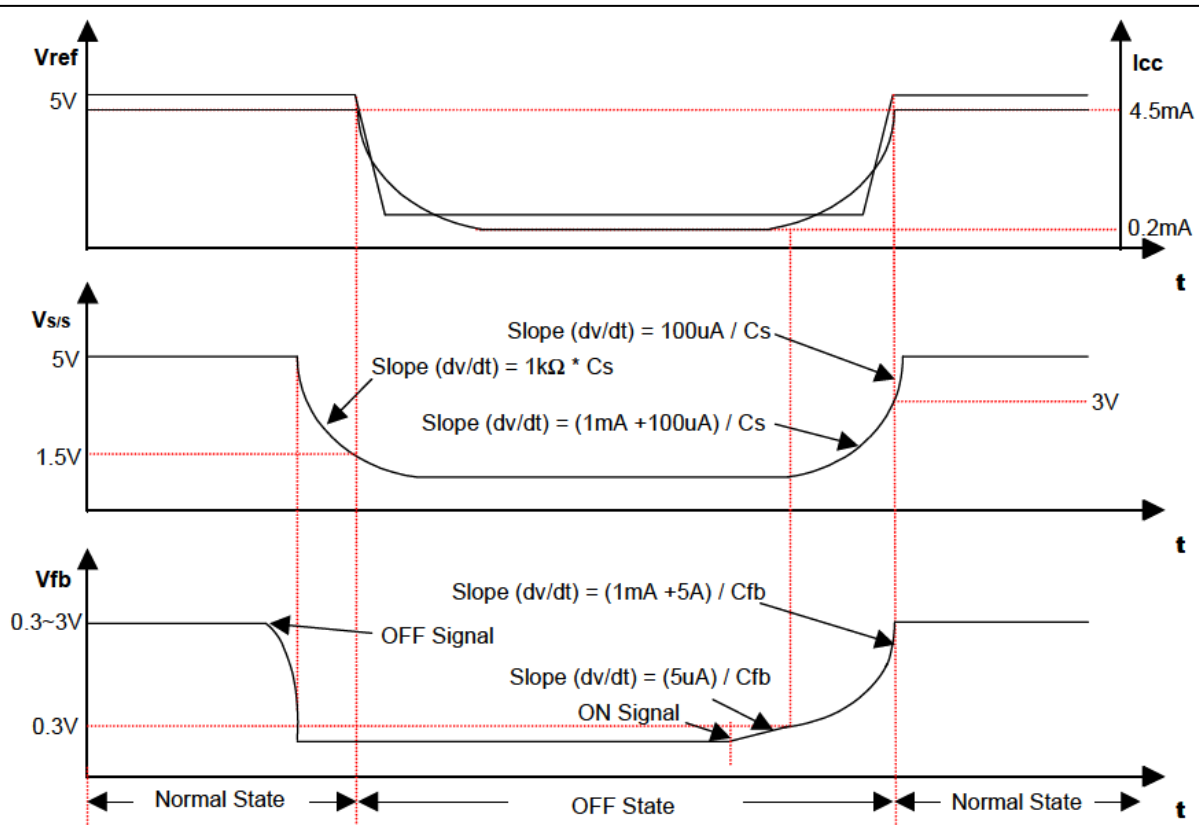


Figure 24. ON-OFF Control Circuit Waveform

**Protection Circuits**

The FAN7554 has many built-in protection circuits that do not need additional components, providing reliability without cost increase. These protection circuits have the auto-restart configuration. In this configuration, the protection circuits reset when  $V_{CC}$  is below UVLO stop threshold (9 V) and restarts when  $V_{CC}$  is above UVLO start threshold voltage (15 V)

**Over Voltage Protection**

Abnormalities may occur in the SMPS secondary side feedback circuit. First, when the feedback pin is short to the ground, the feedback voltage is zero and the FAN7554 is unable to start switching. Second, when the feedback circuit is open, the secondary voltage generally becomes much greater than the rated voltage as the primary side continues to switch at the maximum current level. This may cause the blowing off the fuse or, in serious cases, fires. It is possible that the devices directly connected to the secondary output without a regulator could be destroyed. Even in these cases, the over voltage protection circuit operates. Since  $V_{CC}$  is proportional to the output, in an over voltage situation, it also will increase. In the FAN7554, the protection circuit operates when  $V_{CC}$  exceeds 34 V. Therefore, in normal operation,  $V_{CC}$  must be set below 34 V.

**Overload Protection**

An overload is the state in which the load is operating normally but in excess of the preset load. The overload protection circuit can force the FAN7554 to stop its operation. The protection can also operate in transient states such as initial SMPS operation. Because the transient state returns to the normal state after a fixed time, the protection circuit need not to operate during this time. That is, the FAN7554 needs the time to detect and decide whether it is an overload condition or not. The protection circuit can be prevented from operating during transient states by ensuring that a certain amount of time passes before the protection circuit operates. The above operations are executed as follows: Since the FAN7554 adopts a current mode, it is impossible for current to flow above a maximum level. For a fixed input voltage, this limits power. Therefore, if the power at the output exceeds this maximum,  $V_O$ , shown in Figure 25, becomes less than the set voltage, and the KA431 pulls in only the given minimum current. As a result, the photo-coupler's secondary side current becomes zero. The same goes for the photo-coupler's primary side current. Consequently, when the full current 1 mA flows through the internal resistor ( $2R + R = 3R$ ),  $V_{FB}$  becomes approximately 3 V and from that time, the 5  $\mu$ A current source begins to charge  $C_{FB}$  the photo-coupler's secondary current is almost zero. The FAN7554 shuts down when  $V_{FB}$  reaches 6 V.

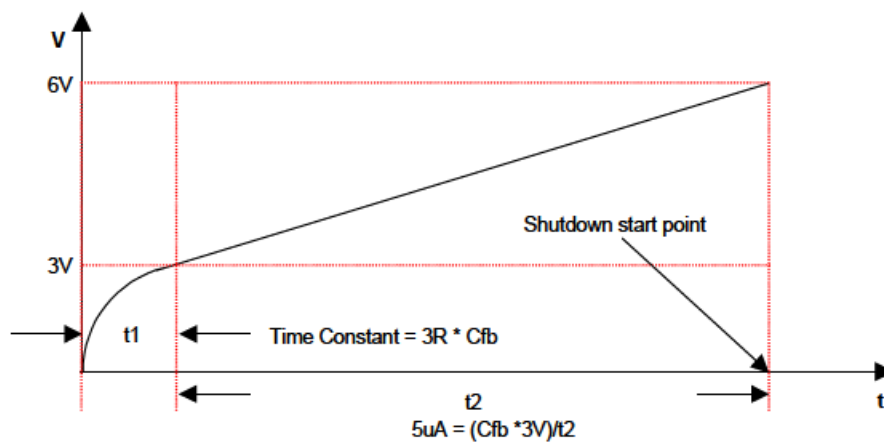
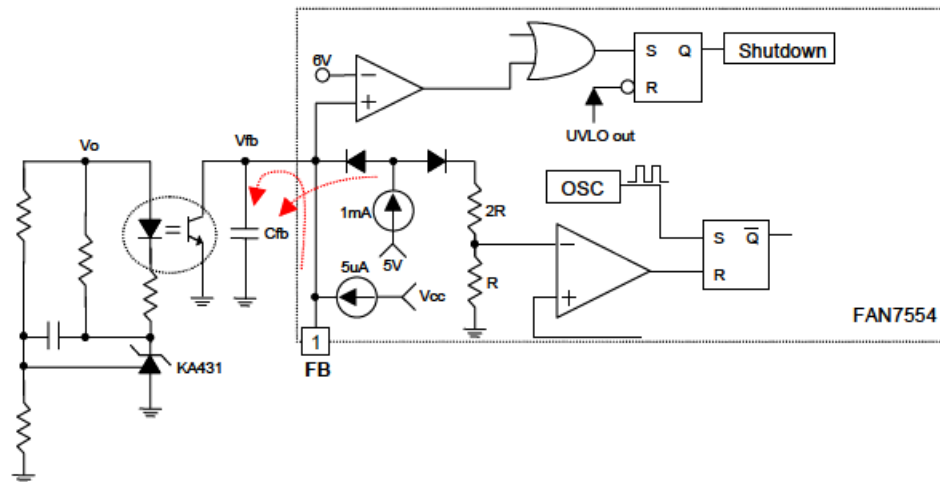
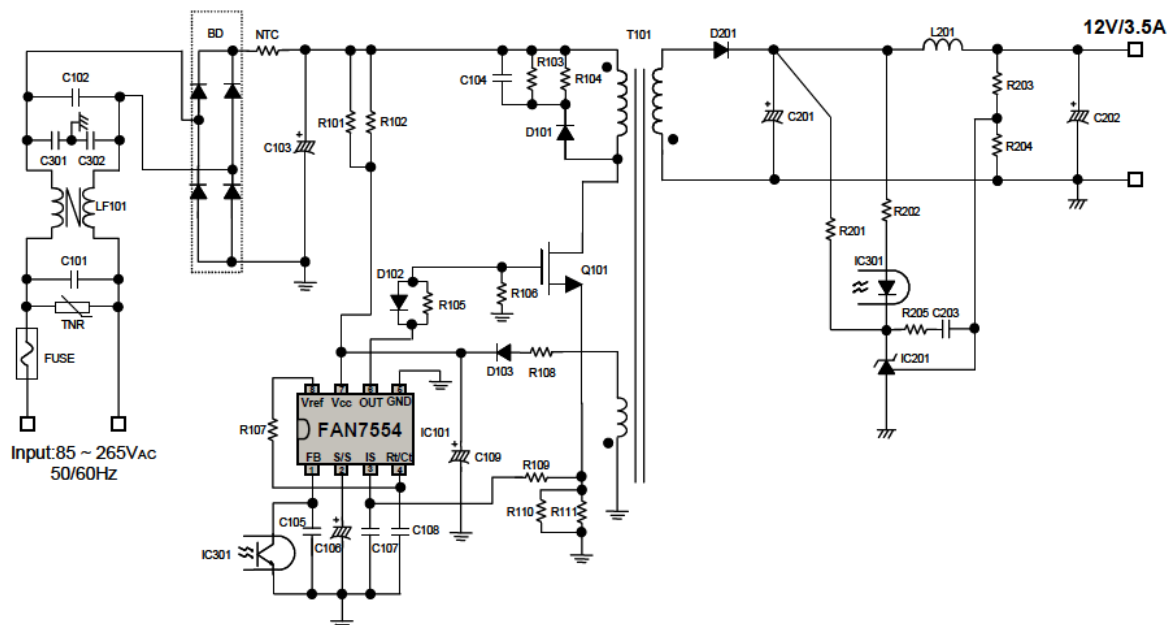


Figure 25. Delayed Shutdown

### FAN7554 Flyback Converter Demo Circuit ( $f_{sw}$ : 100 kHz)



**Table 1. Part List For FAN7554 Flyback Converter Demo Board**

Part	Value	Note	Part	Value	Note
<b>Fuse</b>			<b>Capacitor</b>		
FUSE	250 2 A		C101	100 nF/275 V	Box Capacitor
<b>NTC</b>			C102	100 nF/275 V	Box Capacitor
NTC	5D-11		C103	470 nF/400 WV	Electrolytic
<b>Resistor</b>			C104	103/1 kV	Film Capacitor
R101	330 k $\Omega$	1 W	C105	104	Ceramic
R102			C106	1 $\mu$ F	Electrolytic
R103, R104	100 k $\Omega$		C107	101	Ceramic
R105	22 k $\Omega$		C108	122	Ceramic
R106	4.7 k $\Omega$		C109	22 $\mu$ F/50V	Electrolytic
R107	12 k $\Omega$		C201	330 $\mu$ F	Electrolytic
R108	10 k $\Omega$		C202	330 $\mu$ F	Electrolytic
R109	1 k $\Omega$		C203	104	Ceramic
R110	0.5 k $\Omega$	2 W	C301		
R201	1 k $\Omega$		C302		
R202	1 k $\Omega$		<b>Inductor</b>		
R203	4.7 k $\Omega$		LF101	30 mH	
R204	1.2 k $\Omega$		L201	6.4 $\mu$ H	
R205			<b>Diode</b>		
<b>MOSFET</b>			<b>IC</b>		
Q101		Fairchild	D201	MBRF10100CT	
<b>IC</b>			<b>Diode</b>		
IC101	FQP6N70	Fairchild	D101	UF4007	Fairchild
IC201	FAN7554	Fairchild	D103	UF4004	Fairchild
IC301	Opto-coupler	Fairchild	BD	G3SBA60	



## Transformer Specification

Schematic Diagram (Top view)

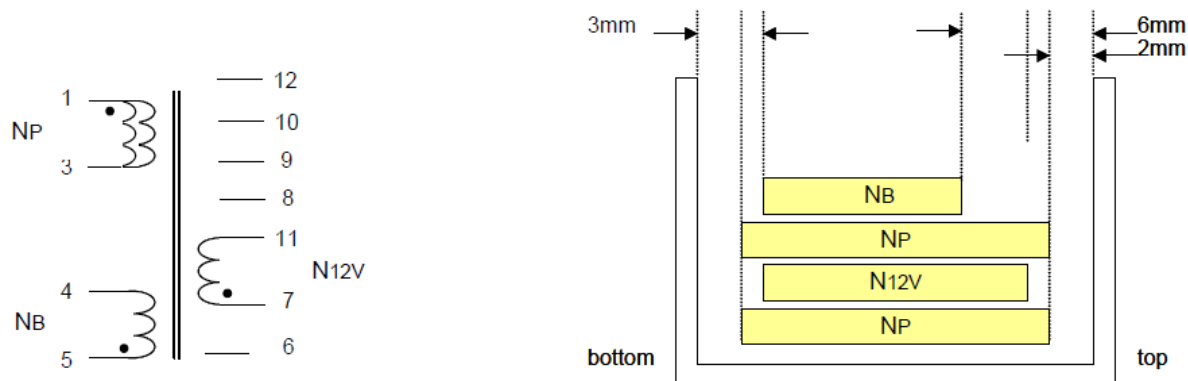


Figure 26. Transformer Specification

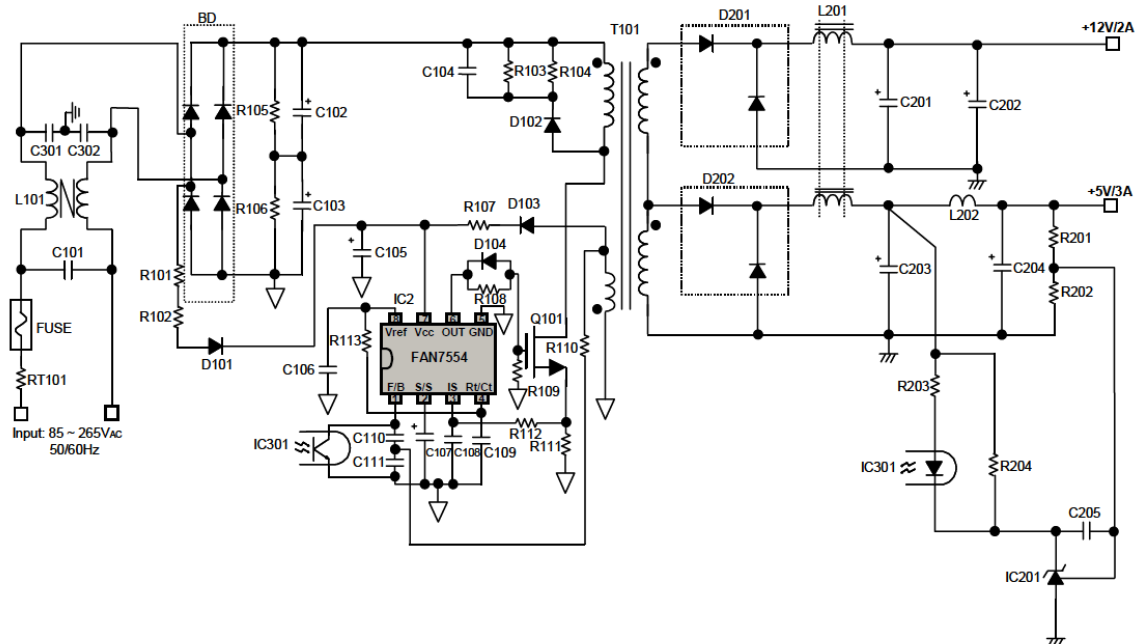
Table 2. Winding Specification

No.	Pin (S→F)	Wire	Turns	Winding Method
N <sub>P</sub>	1 → 3	0.35φ x 1	44	
N <sub>12V</sub>	7 → 11	0.35φ x 4	12	
V <sub>P</sub>	1 → 3	0.35φ x 1	44	
N <sub>B</sub>	5 → 4	0.35φ x 1	14	

Table 3. Electrical Characteristics

Closure	Pin	Specification	Remarks
Inductance	1-3	400 μH ±10%	100 kHz, 1 V
Leakage	1-3	100 μH Max.	2 <sup>nd</sup> All Short

### FAN7554 Forward Converter Demo Circuit ( $f_{sw}$ : 100 kHz)



**Table 4. Part List For FAN7554 Forward Converter Demo Board**

Part	Value	Note	Part	Value	Note
<b>Fuse</b>			<b>Capacitor</b>		
FUSE	250 2 A		C101	470 nF/275 V	Box Capacitor
<b>NTC</b>			C102, C103	470 nF/400 WV	Electrolytic
RT101	DSC 10D-11		C104	223/630 V	Film
<b>Resistor</b>			C105	33 $\mu$ F/35 V	Film Capacitor
R101	330 k $\Omega$	1 W	C106	104	Ceramic
R102			C107	1 $\mu$ F/35 V	Electrolytic
R103, R104	56 k $\Omega$	1 W	C108	101	Ceramic
R105, R106	220 k $\Omega$	1 W	C109	122	Ceramic
R107	10 k $\Omega$		C110	272	Film
R108	20 k $\Omega$		C111	333	Film
R109	4.7 k $\Omega$		C201, C202	1000 $\mu$ F/35 V	Electrolytic
R110	1.2 k $\Omega$		C203	330 $\mu$ F/16 V	Electrolytic
R111	0.5 $\Omega$ //0.5 $\Omega$ //0.5 $\Omega$	2 W	C204	2200 $\mu$ F/16 V	Electrolytic
R112	1 k $\Omega$		C205	104	Ceramic
R113	12 k $\Omega$		C301, C302	332/1 kV	Ceramic
R201, R202	10 k $\Omega$		<b>Inductor</b>		
R203	1 k $\Omega$		LF101	30 mH	
R204	330 $\Omega$		L201		
<b>MOSFET</b>			<b>Diode</b>		
Q101	SSH8N80	Fairchild	D101	IN4004	
<b>IC</b>			D102	FR157	
IC101	FAN7554	Fairchild	D103	UF4007	
IC201	KA431	Fairchild	D201	MBRF10100CT	
IC301	Opto-coupler	Fairchild	D202	MBR3045PT	
			BD	PBS406GU	

## Transformer Specification

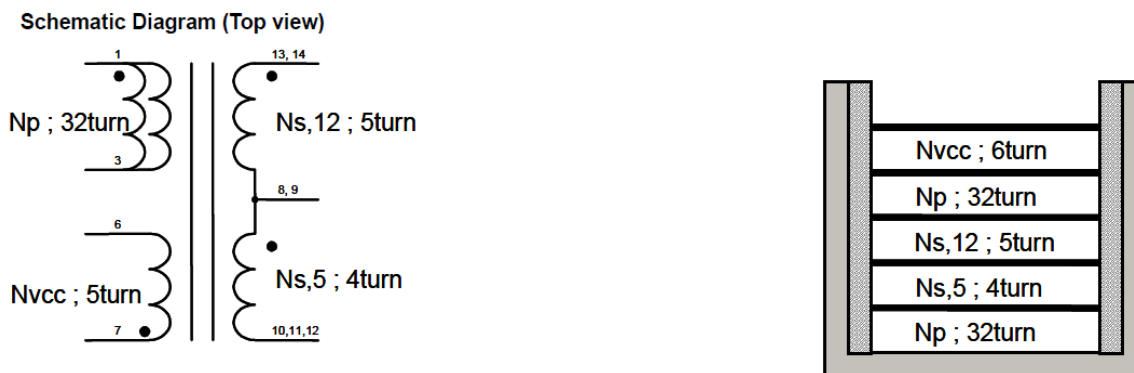
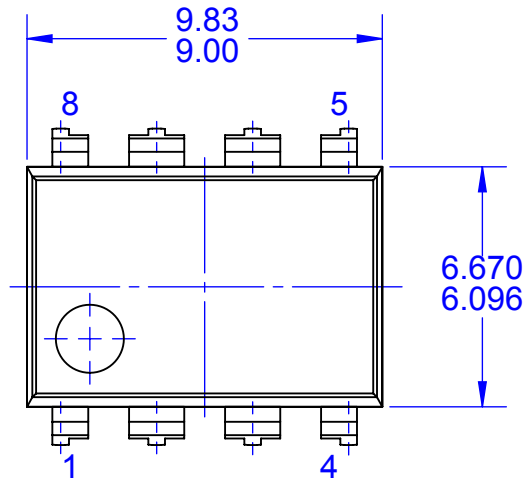


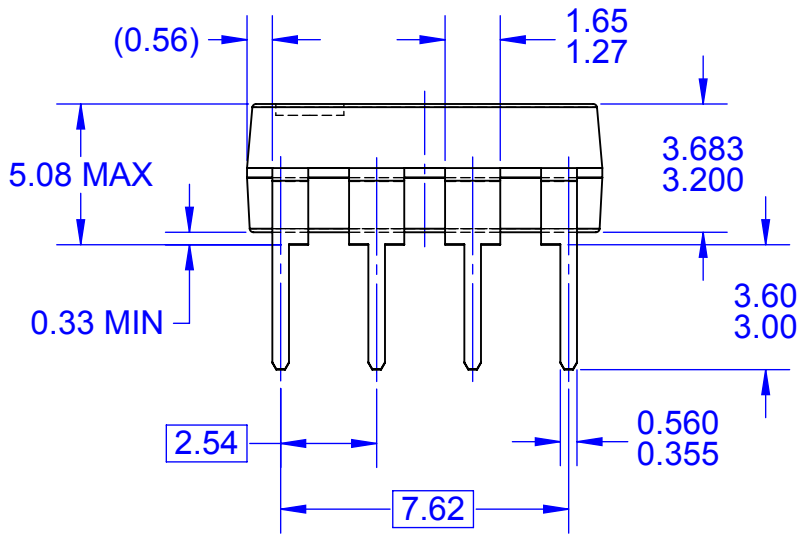
Figure 27. Transformer Specification

Table 5. Winding Specification

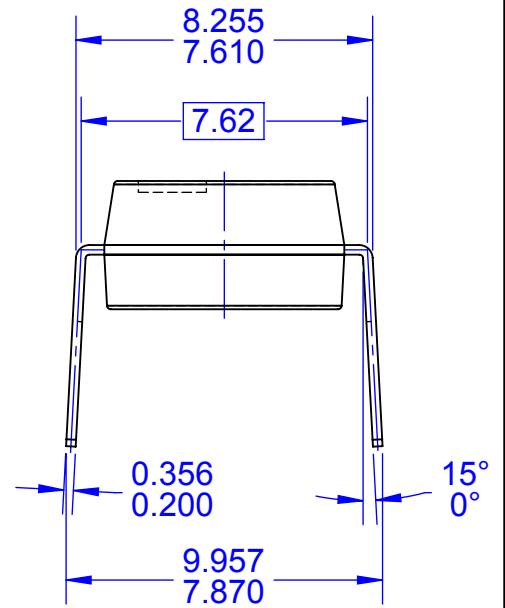
No.	Pin (S→F)	Wire	Turns
$N_p$	1 → 3	0.65φ x 1	32
$N_{s, 5}$	8 → 11	0.65φ x 4	4
$N_{s, 12}$	4 → 9	0.65φ x 4	5
$N_p$	1 → 3	0.65φ x 1	32
$N_{vcc}$	7 → 6	0.65φ x 1	5



TOP VIEW



FRONT VIEW



SIDE VIEW

NOTES:

- A. CONFORMS TO JEDEC MS-001, VARIATION BA
- B. ALL DIMENSIONS ARE IN MILLIMETERS
- C. DIMENSIONS ARE EXCLUSIVE OF BURRS, MOLD FLASH, AND TIE BAR EXTRUSIONS
- D. DIMENSIONS AND TOLERANCES PER ASME Y14.5M-2009
- E. DRAWING FILENAME: MKT-N08Frev3



ON Semiconductor and  are trademarks of Semiconductor Components Industries, LLC dba ON Semiconductor or its subsidiaries in the United States and/or other countries. ON Semiconductor owns the rights to a number of patents, trademarks, copyrights, trade secrets, and other intellectual property. A listing of ON Semiconductor's product/patent coverage may be accessed at [www.onsemi.com/site/pdf/Patent-Marking.pdf](http://www.onsemi.com/site/pdf/Patent-Marking.pdf). ON Semiconductor reserves the right to make changes without further notice to any products herein. ON Semiconductor makes no warranty, representation or guarantee regarding the suitability of its products for any particular purpose, nor does ON Semiconductor assume any liability arising out of the application or use of any product or circuit, and specifically disclaims any and all liability, including without limitation special, consequential or incidental damages. Buyer is responsible for its products and applications using ON Semiconductor products, including compliance with all laws, regulations and safety requirements or standards, regardless of any support or applications information provided by ON Semiconductor. "Typical" parameters which may be provided in ON Semiconductor data sheets and/or specifications can and do vary in different applications and actual performance may vary over time. All operating parameters, including "Typicals" must be validated for each customer application by customer's technical experts. ON Semiconductor does not convey any license under its patent rights nor the rights of others. ON Semiconductor products are not designed, intended, or authorized for use as a critical component in life support systems or any FDA Class 3 medical devices or medical devices with a same or similar classification in a foreign jurisdiction or any devices intended for implantation in the human body. Should Buyer purchase or use ON Semiconductor products for any such unintended or unauthorized application, Buyer shall indemnify and hold ON Semiconductor and its officers, employees, subsidiaries, affiliates, and distributors harmless against all claims, costs, damages, and expenses, and reasonable attorney fees arising out of, directly or indirectly, any claim of personal injury or death associated with such unintended or unauthorized use, even if such claim alleges that ON Semiconductor was negligent regarding the design or manufacture of the part. ON Semiconductor is an Equal Opportunity/Affirmative Action Employer. This literature is subject to all applicable copyright laws and is not for resale in any manner.

## PUBLICATION ORDERING INFORMATION

### LITERATURE FULFILLMENT:

Literature Distribution Center for ON Semiconductor  
19521 E. 32nd Pkwy, Aurora, Colorado 80011 USA  
**Phone:** 303-675-2175 or 800-344-3860 Toll Free USA/Canada  
**Fax:** 303-675-2176 or 800-344-3867 Toll Free USA/Canada  
**Email:** [orderlit@onsemi.com](mailto:orderlit@onsemi.com)

**N. American Technical Support:** 800-282-9855 Toll Free  
USA/Canada  
**Europe, Middle East and Africa Technical Support:**  
Phone: 421 33 790 2910  
**Japan Customer Focus Center**  
Phone: 81-3-5817-1050

**ON Semiconductor Website:** [www.onsemi.com](http://www.onsemi.com)  
**Order Literature:** <http://www.onsemi.com/orderlit>  
For additional information, please contact your local  
Sales Representative