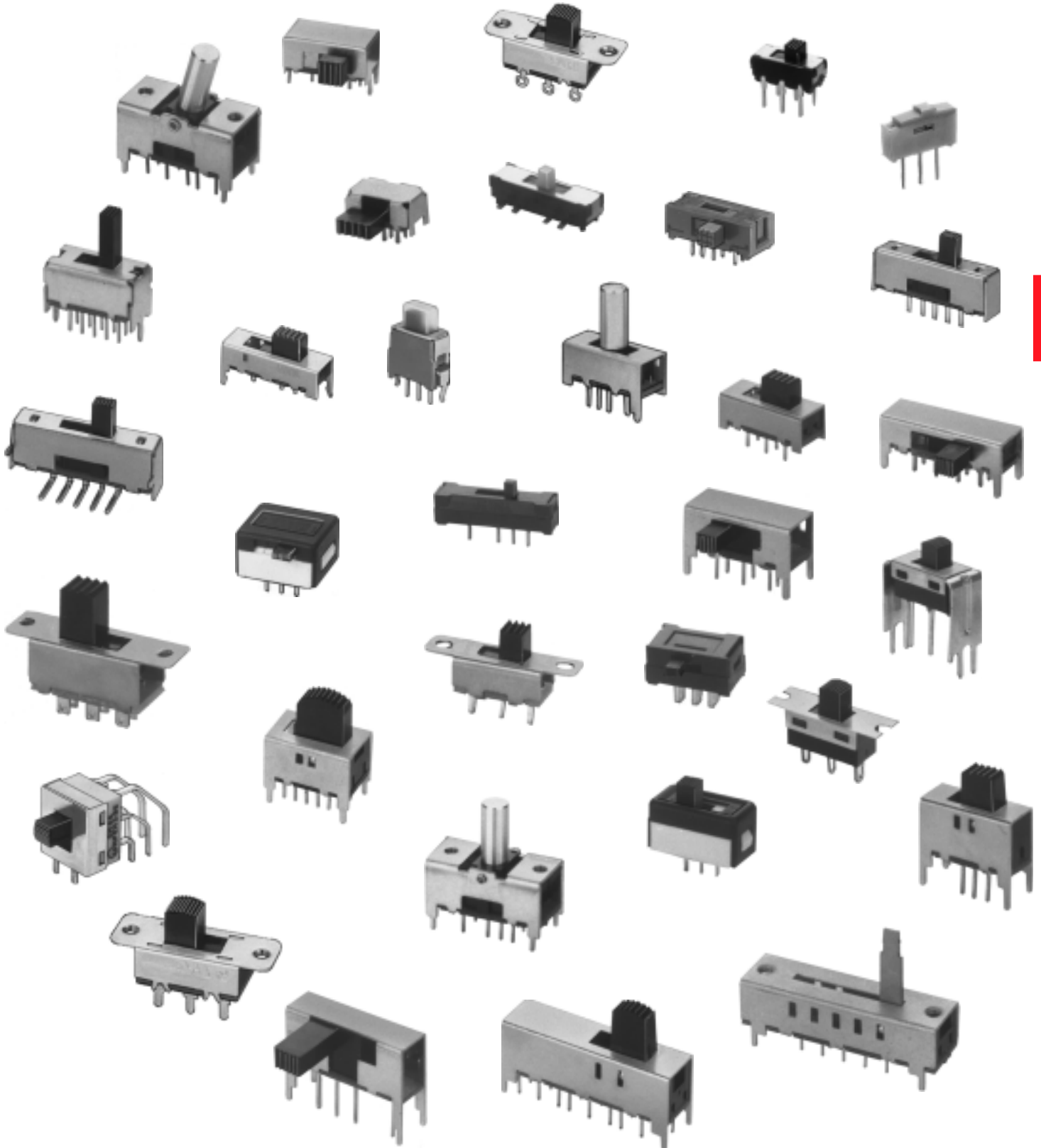


SLIDE SWITCHES

SEE PUSHBUTTON SWITCH SELECTION GUIDE ON NEXT PAGE

SPECIFICATIONS SUBJECT TO CHANGE WITHOUT NOTICE



SLIDE SWITCHES

SLIDE SWITCH SELECTION GUIDE: This catalog contains an extensive variety of slide switches with numerous options and accessories. To facilitate easy selection of the desired switch for your application, the guide on page O2 lists the various Series with some key selection parameters.

SPECIFICATIONS SUBJECT TO CHANGE WITHOUT NOTICE

MICROMINIATURE SLIDE SWITCHES								
SERIES	POLES	POS-ITIONS	RATINGS	WASH-ABLE	LIFE CYCLES	MOUNTING	ACTUATION	PAGE(S)
MJS	1&2	2&3	100 ma @ 12VDC	No	10,000	P.C. thru-hole	Vert. & rt. angle	O3-O4
MSSA	2	2	100 ma @ 30VDC or 125VAC & dry circuit	No	10,000	P.C. thru-hole	Vert. & rt. angle	O5
MA	1	2&3	300 ma @ 4VDC	No	10,000	Surface	Rt. angle	O6
MHSS	1&2	2	300 ma @ 6VDC	No	5000	P.C. thru-hole	Vert. & rt. angle	O7
MS	1,2&4	2&3	300 ma @ 6VDC	No	10,000	P.C. thru-hole & surface	Vert. & rt, angle	O8-O10
MMS	1,2,4&6	2&3	300 ma @ 30VDC	No	10,000	P.C. thru-hole	Vert. & rt. angle	O11-O12
MINIATURE SLIDE SWITCHES								
SERIES	POLES	POS-ITIONS	RATINGS	WASH-ABLE	LIFE CYCLES	MOUNTING	ACTUATION	PAGE(S)
MSTS	1&2	3	300 ma @ 28VDC	Yes	10,000	P.C. thru-hole	Vertical	O13
MHS	1&2	2&3	300 ma @ 30VDC	Yes	10,000	P.C. thru-hole	Vertical	O14-O17
SLB	1&2	2,3,4&5	300 ma @ 30VDC or 125 VAC	Yes	10,000	P.C. thru-hole	Vert. & rt. angle	O18-O25
SLC	1&2	2	300 ma @ 30VDC or 125 VAC	Yes	10,000	Panel	Vertical	O26
SLG	1	2	300 ma @ 30VDC or 125 VAC	Yes	10,000	P.C. thru-hole & panel	Vertical	O27
SLA	1&2	2	500 ma @ 125VAC	Yes	10,000	P.C. thru-hole & panel	Vertical	O28-O29

ALPHA-NUMERIC INDEX BY SERIES


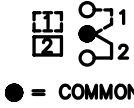
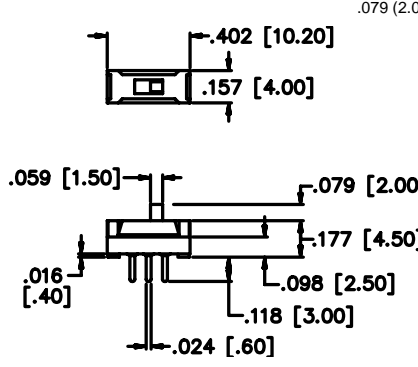
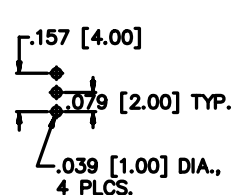

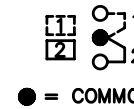
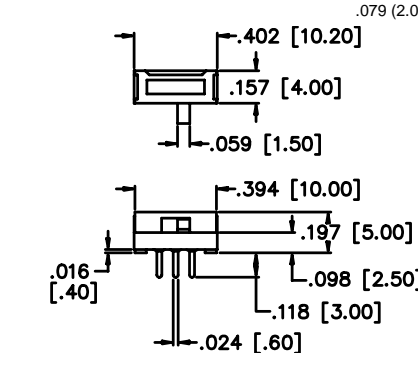
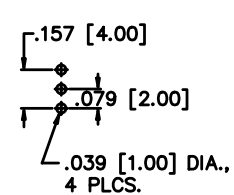
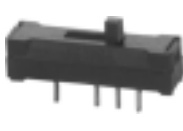
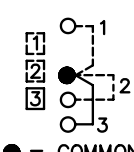
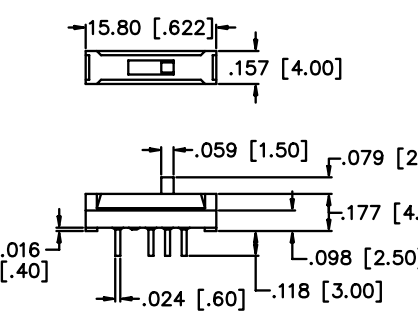
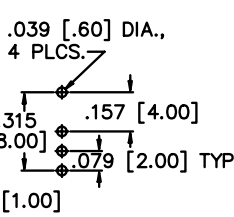
SERIES	Page (s)	SERIES	Page (s)
MA	O6	MSSA	O5
MHS	O14-O17	MSTS	O13
MHSS	O7	SLA	O28-O29
MJS	O3-O4	SLB	O18-O25
MMS	O11-O12	SLC	O26
MS	O8-O10	SLG	O27

MJS Series

Microminiature Slide Switches

SPECIFICATIONS SUBJECT TO CHANGE WITHOUT NOTICE

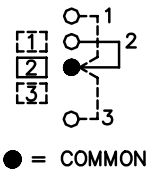
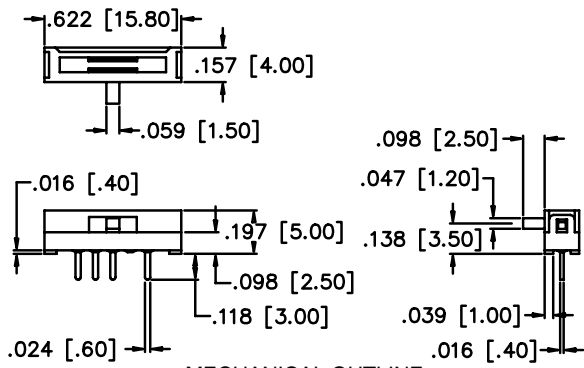
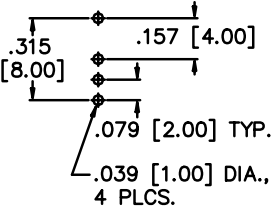
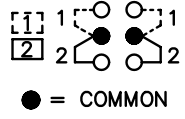
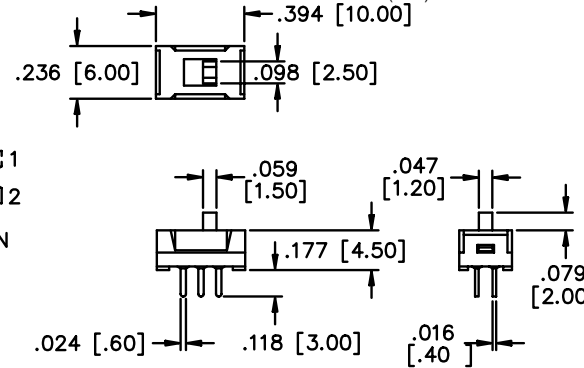
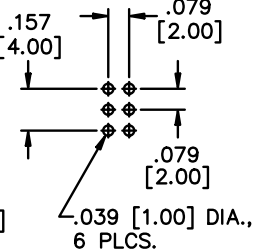
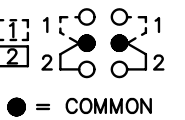
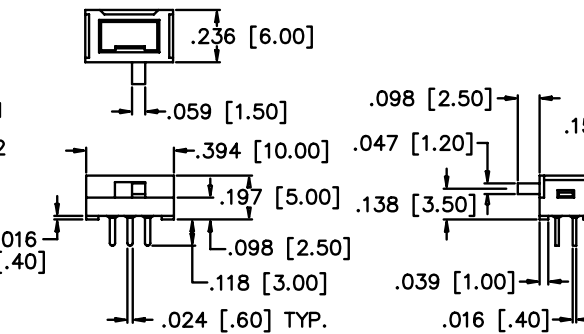
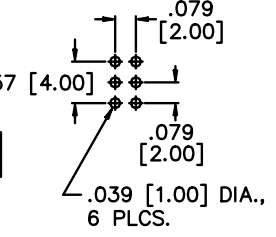
SPECIFICATIONS	FEATURES
Contact rating: 100 mA at 12 VDC Initial contact resistance: 20 milliohms max. Insulation resistance: 100 megohms min. at 500 VDC Dielectric strength: 500 volts RMS at sea level Electrical life: 10,000 cycles min. Operating temperature range: -10°C to +60°C Actuation force: 225g (average) Solder heat resistance: 260°C max. for 5 seconds Washing not recommended	<ul style="list-style-type: none"> ● Molded-in terminals minimize flux or solder entry. ● Molded-in high temperature phenolic base. ● Low Profile. ● Bifurcated wiping contact design.
	MATERIALS
	Contacts & terminals: Silver plated Case & actuator: Thermoplastic Terminal seal: Molded-in

MODEL NO.			
MJS12			
	1P2T  ● = COMMON	.079 (2.00) TRAVEL/THROW 	
VERTICAL ACTUATOR	SCHEMATIC	MECHANICAL OUTLINE	P.C. BOARD LAYOUT
MODEL NO.			
MJS12R			
	1P2T  ● = COMMON	.079 (2.00) TRAVEL/THROW 	
RIGHT ANGLE ACTUATOR	SCHEMATIC	MECHANICAL OUTLINE	P.C. BOARD LAYOUT
MODEL NO.			
MJS13			
	1P3T  ● = COMMON	.079 (2.00) TRAVEL/THROW 	
VERTICAL ACTUATOR	SCHEMATIC	MECHANICAL OUTLINE	P.C. BOARD LAYOUT

MJS Series

Microminiature Slide Switches


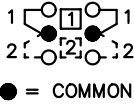
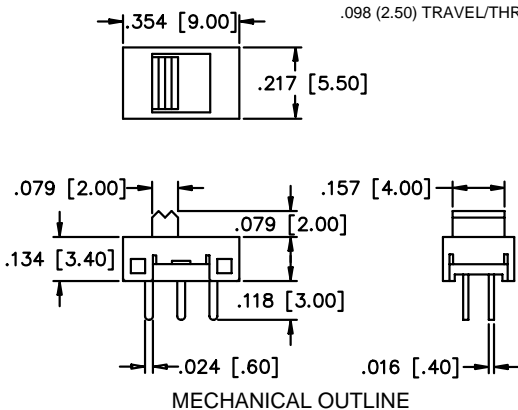
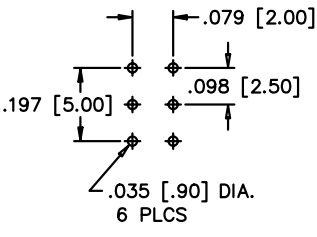
SPECIFICATIONS SUBJECT TO CHANGE WITHOUT NOTICE

<p>MODEL NO.</p> <p>MJS13R</p>	<p style="text-align: right;">.079 (2.00) TRAVEL/THROW</p> <div style="display: flex; justify-content: space-between;"> <div style="width: 30%;"> <p>1P3T</p>  <p>● = COMMON</p> <p>SCHEMATIC</p> </div> <div style="width: 35%;">  <p>MECHANICAL OUTLINE</p> </div> <div style="width: 30%;">  <p>P.C. BOARD LAYOUT</p> </div> </div> <p style="text-align: center;">RIGHT ANGLE ACTUATOR</p>
<p>MODEL NO.</p> <p>MJS22</p>	<p style="text-align: right;">.079 (2.00) TRAVEL/THROW</p> <div style="display: flex; justify-content: space-between;"> <div style="width: 30%;"> <p>2P2T</p>  <p>● = COMMON</p> <p>SCHEMATIC</p> </div> <div style="width: 35%;">  <p>MECHANICAL OUTLINE</p> </div> <div style="width: 30%;">  <p>P.C. BOARD LAYOUT</p> </div> </div> <p style="text-align: center;">VERTICAL ACTUATOR</p>
<p>MODEL NO.</p> <p>MJS22R</p>	<p style="text-align: right;">.079 (2.00) TRAVEL/THROW</p> <div style="display: flex; justify-content: space-between;"> <div style="width: 30%;"> <p>2P2T</p>  <p>● = COMMON</p> <p>SCHEMATIC</p> </div> <div style="width: 35%;">  <p>MECHANICAL OUTLINE</p> </div> <div style="width: 30%;">  <p>P.C. BOARD LAYOUT</p> </div> </div> <p style="text-align: center;">RIGHT ANGLE ACTUATOR</p>

MSSA Series

Microminiature Slide Switches

SPECIFICATIONS SUBJECT TO CHANGE WITHOUT NOTICE

SPECIFICATIONS		FEATURES					
<p>Contact ratings: Gold; 0.4 Volt-Amps (VA) max. at 20 V max. (AC or DC) Silver; 100 mA at 125 VAC or 30 VDC</p> <p>Initial contact resistance: 30 milliohms max.</p> <p>Insulation resistance: 100 megohms min. at 250 VDC</p> <p>Dielectric strength: 250 volts RMS at sea level</p> <p>Electrical life: 10,000 cycles min.</p> <p>Operating temperature range: -10°C to +60°C</p> <p>Actuation force: 250g ± 150g</p> <p>Solder heat resistance: 260°C max. for 3 seconds</p> <p>Washing not recommended</p>		<ul style="list-style-type: none"> Low Profile. Epoxy sealed terminals. Cosmetic molded case. 					
MODEL NO. PLATING		MATERIALS					
<p style="color: red; margin: 0;">MSSA22G GOLD</p>		<p>Contacts & terminals: Gold or silver available (see contact ratings)</p> <p>Housing and Actuator: Thermoplastic</p> <p>Base: High temperature thermoplastic</p> <p>Terminal seal: Epoxy</p>					
<table border="1" style="width: 100%; border-collapse: collapse;"> <thead> <tr style="background-color: #f8d7da;"> <th style="width: 50%; padding: 2px;">MODEL NO.</th> <th style="width: 50%; padding: 2px;">PLATING</th> </tr> </thead> <tbody> <tr> <td style="padding: 2px; color: red;">MSSA22G</td> <td style="padding: 2px;">GOLD</td> </tr> </tbody> </table>		MODEL NO.	PLATING	MSSA22G	GOLD	<p style="text-align: center; font-weight: bold; font-size: 1.2em;">2P2T</p> <div style="display: flex; justify-content: space-between;"> <div style="width: 20%;">  <p style="text-align: center; margin-top: 5px;">VERTICAL ACTUATOR</p> </div> <div style="width: 20%;">  <p style="text-align: center; margin-top: 5px;">SCHEMATIC</p> </div> <div style="width: 40%;">  <p style="text-align: center; margin-top: 5px;">MECHANICAL OUTLINE</p> </div> <div style="width: 20%;">  <p style="text-align: center; margin-top: 5px;">P.C. BOARD LAYOUT</p> </div> </div>	
MODEL NO.	PLATING						
MSSA22G	GOLD						

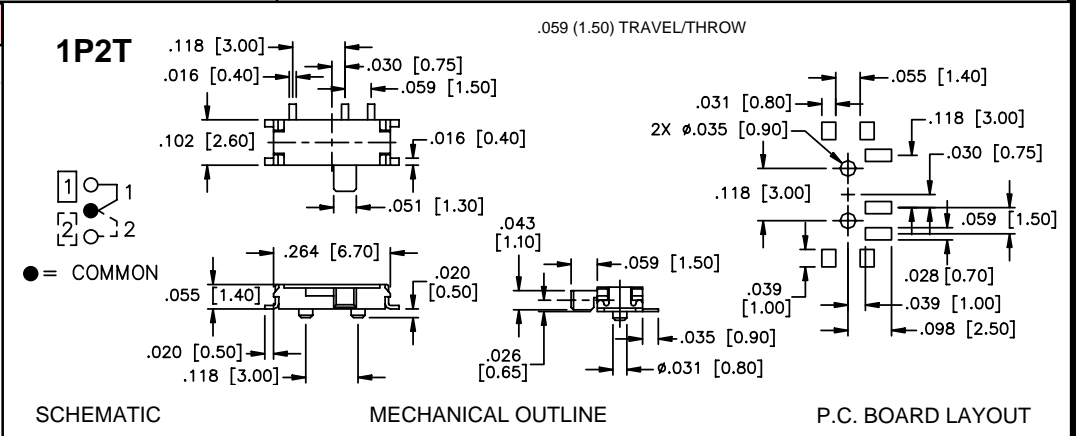
MA Series

Microminiature Memory Card Slide Switches

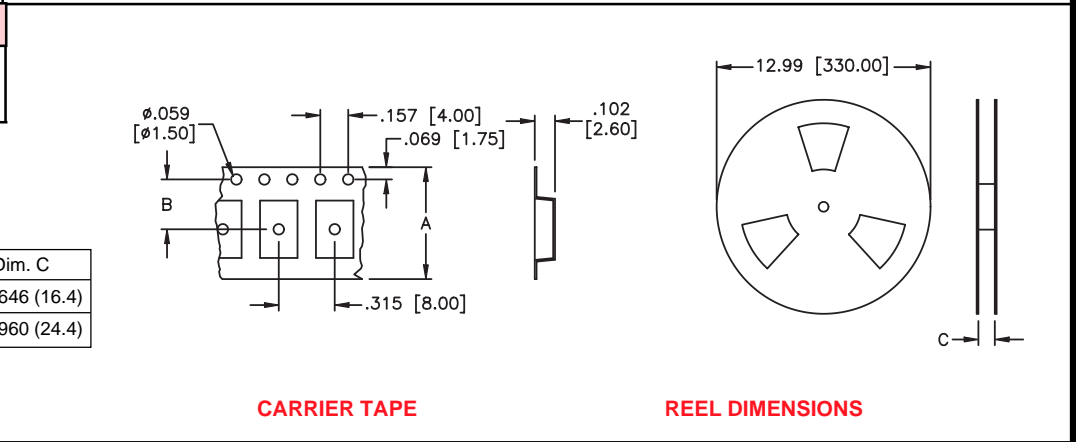
SPECIFICATIONS	FEATURES
<p>Contact rating: 300 mA at 4 VDC</p> <p>Initial contact resistance: 70 milliohms max.</p> <p>Insulation resistance: 100 megohms min. at 100 VDC</p> <p>Dielectric strength: 100 VAC for 1 minute</p> <p>Electrical life: 10,000 cycles min.</p> <p>Operating temperature range: -10°C to +60°C</p> <p>Actuation force: 200g ± 100g</p> <p>Solder heat resistance: Reflow - 260°C max. for 1 min. Manual - iron temperature 305 °C max. for 6 seconds.</p> <p>Washing not recommended</p>	<ul style="list-style-type: none"> Ultra-compact size. Low Profile. Surface mounting with restraining bosses. Reflow or hand solderable.
MATERIALS	
<p>Contacts: Silver plated beryllium copper</p> <p>Terminals: Silver plated brass</p> <p>Base: Liquid crystal polymer Cover: Tin plated steel</p> <p>Actuator: Liquid crystal polymer</p>	

MODEL NO.
MA12R

RIGHT ANGLE ACTUATOR



MODEL NO.												
MA12R/TR												
MA13R/TR												
Same as above models except supplied on tape & reel as shown.												
<table border="1" style="width: 100%; border-collapse: collapse; font-size: x-small;"> <thead> <tr> <th>Model No.</th> <th>Dim. A</th> <th>Dim. B</th> <th>Dim. C</th> </tr> </thead> <tbody> <tr> <td>MA12R/TR</td> <td>.630 (16.0)</td> <td>.217 (5.5)</td> <td>.646 (16.4)</td> </tr> <tr> <td>MA13R/TR</td> <td>.945 (24.0)</td> <td>.453 (11.5)</td> <td>.960 (24.4)</td> </tr> </tbody> </table>	Model No.	Dim. A	Dim. B	Dim. C	MA12R/TR	.630 (16.0)	.217 (5.5)	.646 (16.4)	MA13R/TR	.945 (24.0)	.453 (11.5)	.960 (24.4)
Model No.	Dim. A	Dim. B	Dim. C									
MA12R/TR	.630 (16.0)	.217 (5.5)	.646 (16.4)									
MA13R/TR	.945 (24.0)	.453 (11.5)	.960 (24.4)									




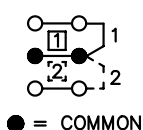
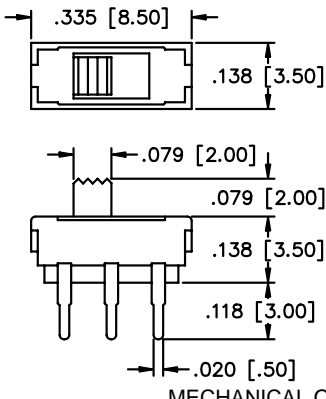
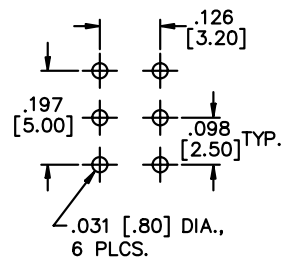

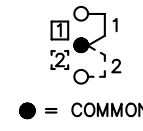
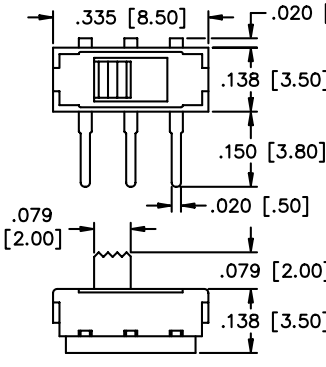
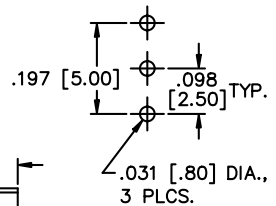
SPECIFICATIONS SUBJECT TO CHANGE WITHOUT NOTICE

MHSS Series

Microminiature Slide Switches

SPECIFICATIONS SUBJECT TO CHANGE WITHOUT NOTICE


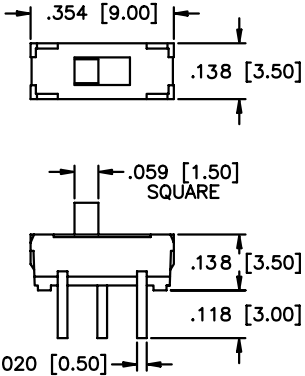
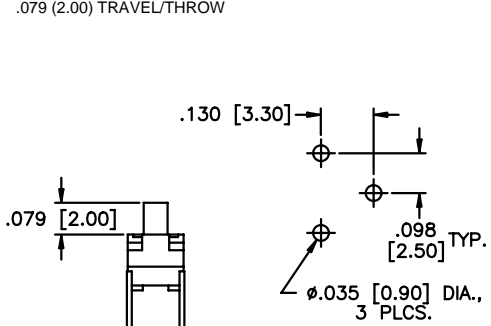

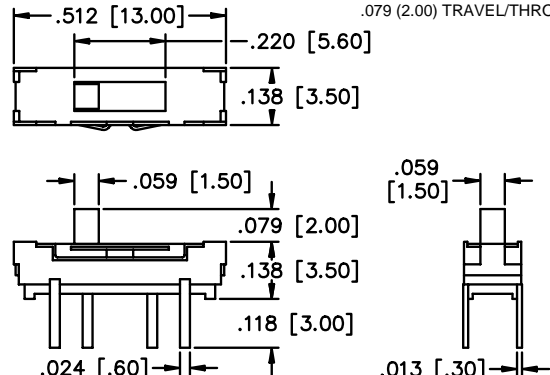
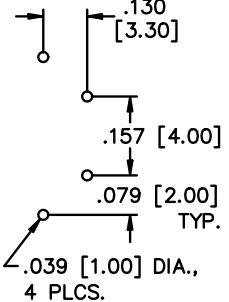

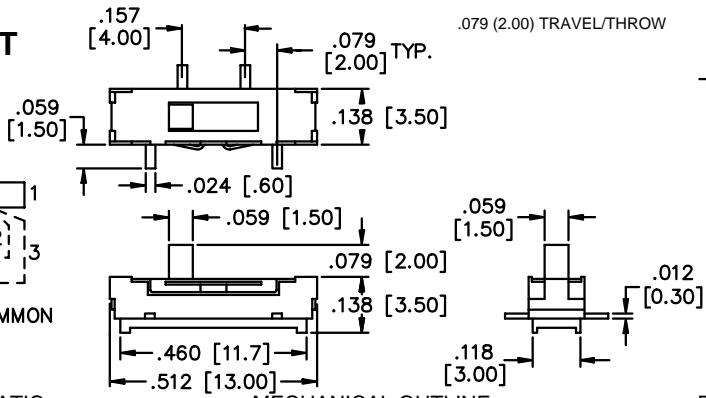
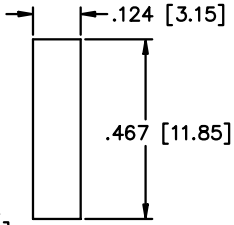
SPECIFICATIONS	FEATURES
<p>Contact ratings: 300 mA at 6 VDC</p> <p>Initial contact resistance: 60 milliohms max.</p> <p>Insulation resistance: 100 megohms min. at 100 VDC</p> <p>Dielectric strength: 100 VAC for 1 minute</p> <p>Electrical life: 5000 cycles min.</p> <p>Operating temperature range: -20°C to +70°C</p> <p>Solder heat resistance: 350°C max. for 3 seconds</p> <p>Washing not recommended</p>	<ul style="list-style-type: none"> Excellent tactile feed-back (detent action). Molded-in terminals minimize flux or solder entry. Ultra-compact case size. Low profile.
MATERIALS	
<p>Contacts & terminals: Silver plated</p> <p>Case: 30% Glass filled nylon, type 6/6, black</p> <p>Actuator: Nylon, type 6/6, black (blue for MHSS2220 only)</p>	

MODEL NO.			
MHSS1104			
 <p>VERTICAL ACTUATOR</p>	<p>1P2T</p>  <p>● = COMMON</p>	 <p>MECHANICAL OUTLINE</p>	<p>.079 (2.00) TRAVEL/THROW</p>  <p>P.C. BOARD LAYOUT</p>
MHSS1105			
 <p>RIGHT ANGLE ACTUATOR</p>	<p>1P2T</p>  <p>● = COMMON</p>	 <p>MECHANICAL OUTLINE</p>	<p>.079 (2.00) TRAVEL/THROW</p>  <p>P.C. BOARD LAYOUT</p>

MS Series

Microminiature Slide Switches

SPECIFICATIONS	FEATURES
<p>Contact rating: 300 mA at 6 VDC</p> <p>Initial contact resistance: 70 milliohms max.</p> <p>Insulation resistance: 100 megohms max. at 500 VDC</p> <p>Dielectric strength: 500 volts RMS at sea level</p> <p>Electrical life: 10,000 cycles min.</p> <p>Operating temperature range: -10°C to +60°C</p> <p>Solder heat resistance: 260°C max. for 3 seconds</p> <p>Washing not recommended</p>	<ul style="list-style-type: none"> ● Low profile. ● Insert molded terminals. ● Stainless steel cover.
	MATERIALS
	<p>Contacts & terminals: Silver plated</p> <p>Cover: Stainless steel</p> <p>Actuator: Thermoplastic</p> <p>Base: High temperature thermoplastic Terminal seal: Insert molded</p>

MODEL NO.			
MS12			
	1P2T		
VERTICAL ACTUATOR	SCHEMATIC	MECHANICAL OUTLINE	P.C. BOARD LAYOUT
MODEL NO.			
MS13			
	1P3T		
VERTICAL ACTUATOR	SCHEMATIC	MECHANICAL OUTLINE	P.C. BOARD CUTOUT
MODEL NO.			
MS13S			
	1P3T		
VERTICAL ACTUATOR	SCHEMATIC	MECHANICAL OUTLINE	P.C. BOARD LAYOUT


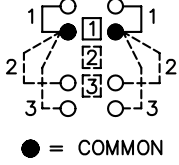
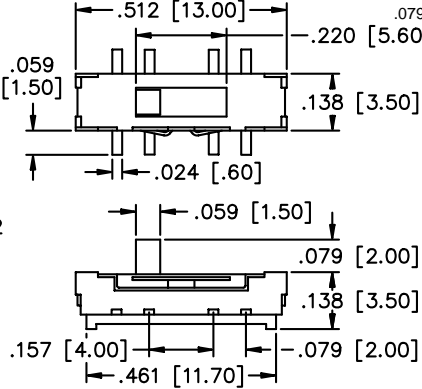
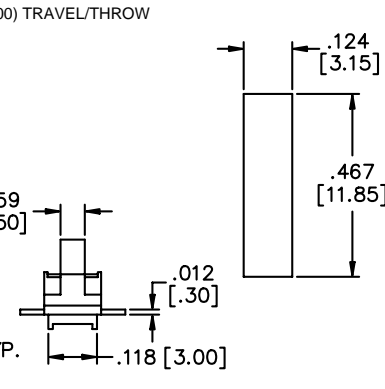

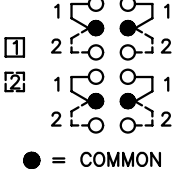
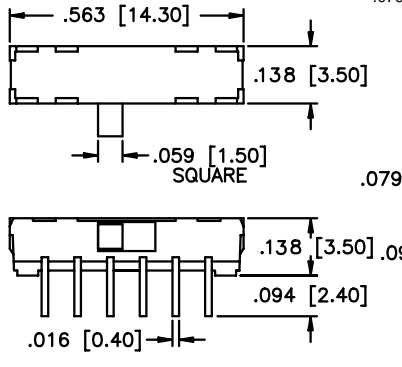
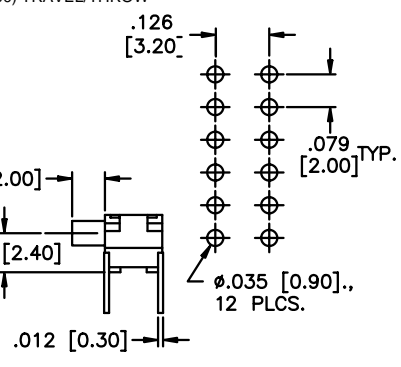
SPECIFICATIONS SUBJECT TO CHANGE WITHOUT NOTICE

MS Series

Microminiature Slide Switches

SPECIFICATIONS SUBJECT TO CHANGE WITHOUT NOTICE

MODEL NO. MS22	<div style="display: flex; justify-content: space-between;"> <div style="width: 25%;"> <p>2P2T</p> <p>● = COMMON</p> </div> <div style="width: 45%;"> <p style="text-align: center;">MECHANICAL OUTLINE</p> </div> <div style="width: 25%;"> <p>.079 (2.00) TRAVEL/THROW</p> <p style="text-align: center;">P.C. BOARD LAYOUT</p> </div> </div> <div style="display: flex; justify-content: space-between; margin-top: 10px;"> <div style="width: 25%; text-align: center;"> <p>VERTICAL ACTUATOR</p> </div> <div style="width: 45%; text-align: center;"> <p>SCHMATIC</p> <p>MECHANICAL OUTLINE</p> </div> <div style="width: 25%; text-align: center;"> <p>P.C. BOARD LAYOUT</p> </div> </div>
MODEL NO. MS22R	<div style="display: flex; justify-content: space-between;"> <div style="width: 25%;"> <p>2P2T</p> <p>● = COMMON</p> </div> <div style="width: 45%;"> <p style="text-align: center;">MECHANICAL OUTLINE</p> </div> <div style="width: 25%;"> <p>.079 (2.00) TRAVEL/THROW</p> <p style="text-align: center;">P.C. BOARD LAYOUT</p> </div> </div> <div style="display: flex; justify-content: space-between; margin-top: 10px;"> <div style="width: 25%; text-align: center;"> <p>RIGHT ANGLE ACTUATOR</p> </div> <div style="width: 45%; text-align: center;"> <p>SCHMATIC</p> <p>MECHANICAL OUTLINE</p> </div> <div style="width: 25%; text-align: center;"> <p>P.C. BOARD LAYOUT</p> </div> </div>
MODEL NO. MS23	<div style="display: flex; justify-content: space-between;"> <div style="width: 25%;"> <p>2P3T</p> <p>● = COMMON</p> </div> <div style="width: 45%;"> <p style="text-align: center;">MECHANICAL OUTLINE</p> </div> <div style="width: 25%;"> <p>.079 (2.00) TRAVEL/THROW</p> <p style="text-align: center;">P.C. BOARD LAYOUT</p> </div> </div> <div style="display: flex; justify-content: space-between; margin-top: 10px;"> <div style="width: 25%; text-align: center;"> <p>VERTICAL ACTUATOR</p> </div> <div style="width: 45%; text-align: center;"> <p>SCHMATIC</p> <p>MECHANICAL OUTLINE</p> </div> <div style="width: 25%; text-align: center;"> <p>P.C. BOARD LAYOUT</p> </div> </div>
MODEL NO. MS23R	<div style="display: flex; justify-content: space-between;"> <div style="width: 25%;"> <p>2P3T</p> <p>● = COMMON</p> </div> <div style="width: 45%;"> <p style="text-align: center;">MECHANICAL OUTLINE</p> </div> <div style="width: 25%;"> <p>.079 (2.00) TRAVEL/THROW</p> <p style="text-align: center;">P.C. BOARD CUTOUT</p> </div> </div> <div style="display: flex; justify-content: space-between; margin-top: 10px;"> <div style="width: 25%; text-align: center;"> <p>RIGHT ANGLE ACTUATOR</p> </div> <div style="width: 45%; text-align: center;"> <p>SCHMATIC</p> <p>MECHANICAL OUTLINE</p> </div> <div style="width: 25%; text-align: center;"> <p>P.C. BOARD CUTOUT</p> </div> </div>

MODEL NO.	2P3T		
MS23S			
VERTICAL ACTUATOR	 <p>● = COMMON</p>		
MODEL NO.	4P2T		
MS42R			
RIGHT ANGLE ACTUATOR	 <p>● = COMMON</p>		


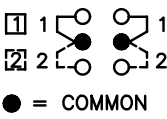
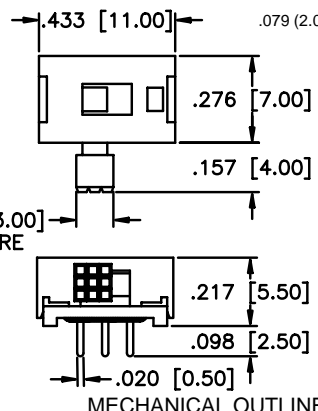
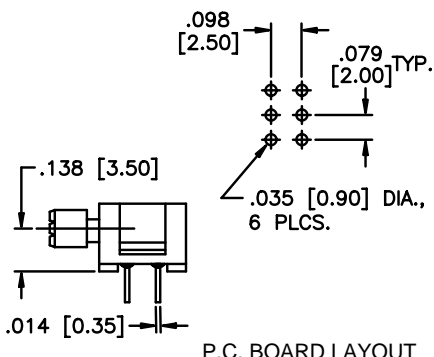

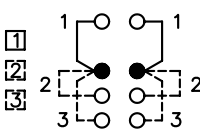
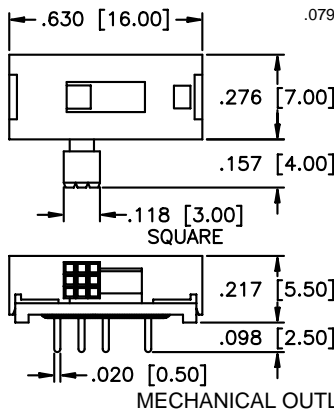
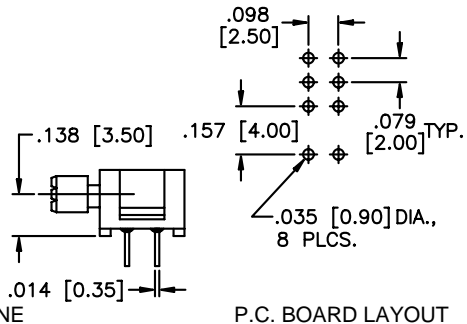

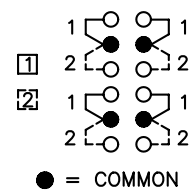
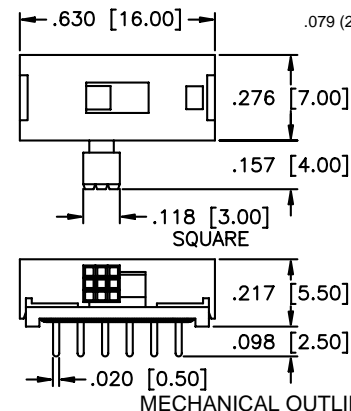
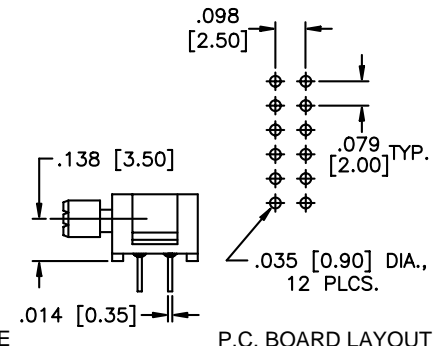
SPECIFICATIONS SUBJECT TO CHANGE WITHOUT NOTICE

MMS Series

Microminiature Slide Switches

SPECIFICATIONS SUBJECT TO CHANGE WITHOUT NOTICE


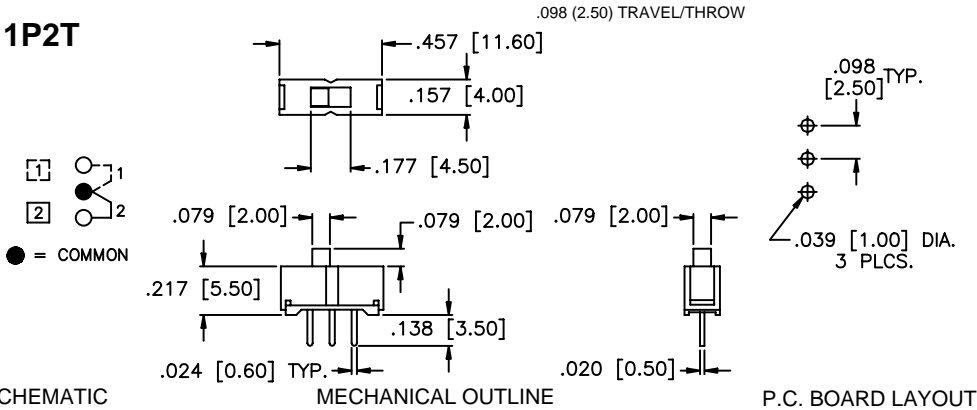

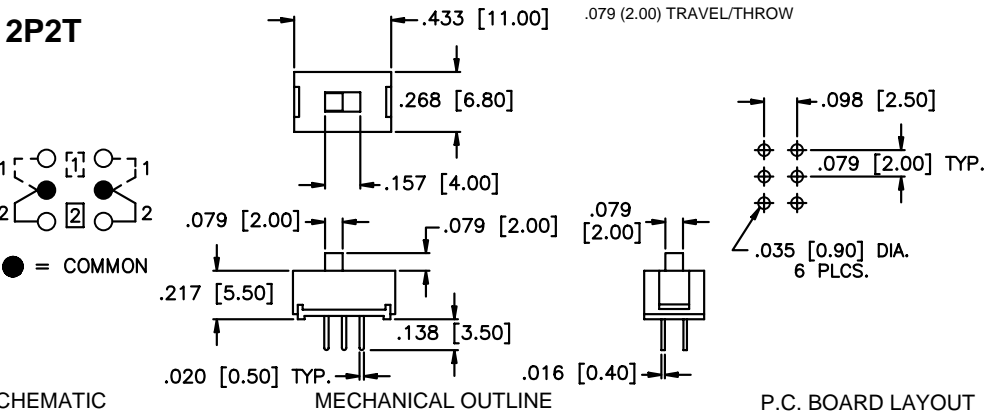

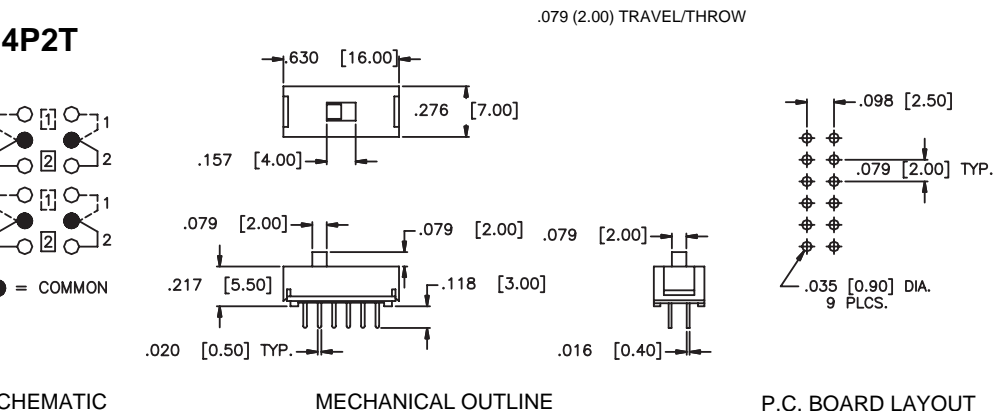

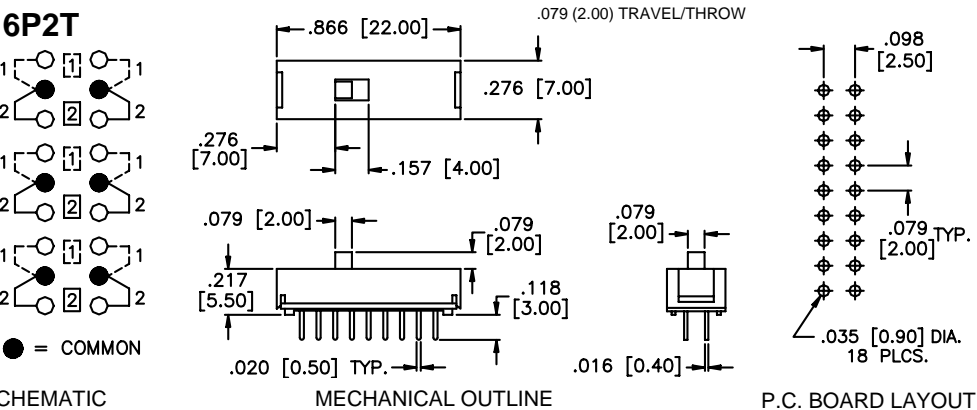
SPECIFICATIONS	FEATURES
<p>Contact ratings: 300 mA at 30 VDC</p> <p>Initial contact resistance: 25 milliohms max.</p> <p>Insulation resistance: 100 megohms min. at 500 VDC</p> <p>Dielectric strength: 500 volts RMS for 1 minute</p> <p>Electrical life: 10,000 cycles min.</p> <p>Operating temperature range: -20°C to +70°C</p> <p>Solder heat resistance: 255°C max. for 5 seconds max.</p> <p>Washing not recommended</p>	<ul style="list-style-type: none"> ● Bifurcated wiping contact design. ● Low Profile. ● Epoxy sealed terminals. ● Cosmetic molded case.
MATERIALS	
<p>Contacts & terminals: Silver plated</p> <p>Case: Polyacetal</p> <p>Actuator: PBT Base: Glass filled PBT</p> <p>Terminal seal: Epoxy or phenol resin</p>	

MODEL NO.			
MMS22R			
 <p>RIGHT ANGLE ACTUATOR</p>	<p>2P2T</p>  <p>● = COMMON</p>	 <p>MECHANICAL OUTLINE</p>	 <p>P.C. BOARD LAYOUT</p>
MODEL NO.			
MMS23R			
 <p>RIGHT ANGLE ACTUATOR</p>	<p>2P3T</p>  <p>● = COMMON</p>	 <p>MECHANICAL OUTLINE</p>	 <p>P.C. BOARD LAYOUT</p>
MODEL NO.			
MMS42R			
 <p>RIGHT ANGLE ACTUATOR</p>	<p>4P2T</p>  <p>● = COMMON</p>	 <p>MECHANICAL OUTLINE</p>	 <p>P.C. BOARD LAYOUT</p>

MMS Series

Microminiature Slide Switches

SPECIFICATIONS SUBJECT TO CHANGE WITHOUT NOTICE


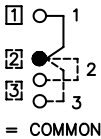
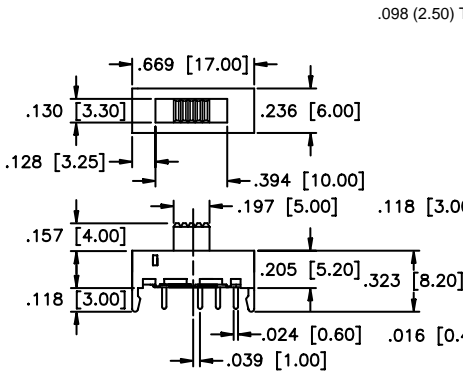
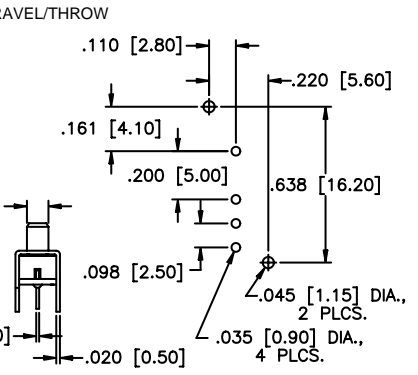

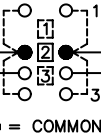
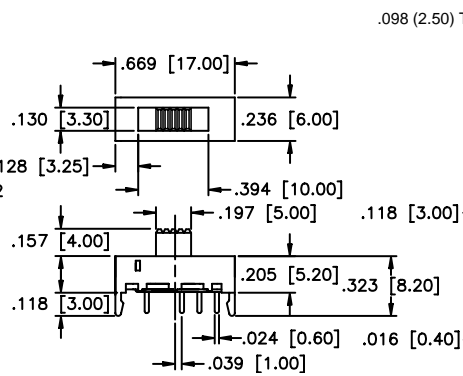
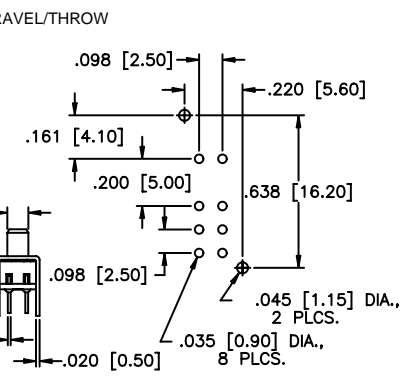
<p>MODEL NO.</p> <p>MMS1208</p>  <p>VERTICAL ACTUATOR</p>	<p style="text-align: right;">.098 (2.50) TRAVEL/THROW</p> <p>1P2T</p>  <p>SCHEMATIC MECHANICAL OUTLINE P.C. BOARD LAYOUT</p>
<p>MODEL NO.</p> <p>MMS2214</p>  <p>VERTICAL ACTUATOR</p>	<p style="text-align: right;">.079 (2.00) TRAVEL/THROW</p> <p>2P2T</p>  <p>SCHEMATIC MECHANICAL OUTLINE P.C. BOARD LAYOUT</p>
<p>MODEL NO.</p> <p>MMS42</p>  <p>VERTICAL ACTUATOR</p>	<p style="text-align: right;">.079 (2.00) TRAVEL/THROW</p> <p>4P2T</p>  <p>SCHEMATIC MECHANICAL OUTLINE P.C. BOARD LAYOUT</p>
<p>MODEL NO.</p> <p>MMS6202</p>  <p>VERTICAL ACTUATOR</p>	<p style="text-align: right;">.079 (2.00) TRAVEL/THROW</p> <p>6P2T</p>  <p>SCHEMATIC MECHANICAL OUTLINE P.C. BOARD LAYOUT</p>

MSTS Series

Miniature Slide Switches

SPECIFICATIONS SUBJECT TO CHANGE WITHOUT NOTICE

SPECIFICATIONS	FEATURES
<p>Contact rating: 300 mA at 28 VDC</p> <p>Initial contact resistance: 20 milliohms max.</p> <p>Insulation resistance: 100 megohms min. at 500 VDC</p> <p>Dielectric strength: 500 VAC for 1 minute</p> <p>Electrical life: 10,000 cycles min.</p> <p>Operating temperature range: -20°C to +85°C</p> <p>Solder heat resistance: 250°C max. for 5 seconds</p> <p>Actuation force: 200-600 grams</p> <p>Solvent washing permissible</p>	<ul style="list-style-type: none"> ● Miniature compact size. ● Wash-through open frame construction. ● Snap-in p.c. mounting bracket design. ● Positive spring loaded ball detent mechanism. ● Epoxy sealed terminals. ● Gold plated contacts available - consult factory.
	MATERIALS
	<p>Contacts & terminals: Silver plated brass</p> <p>Housing: Zinc plated steel</p> <p>Actuator: Polyacetal, color black</p> <p>Base: Phenolic laminated sheet</p> <p style="text-align: right;">Terminal seal: Epoxy</p>


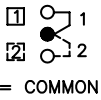
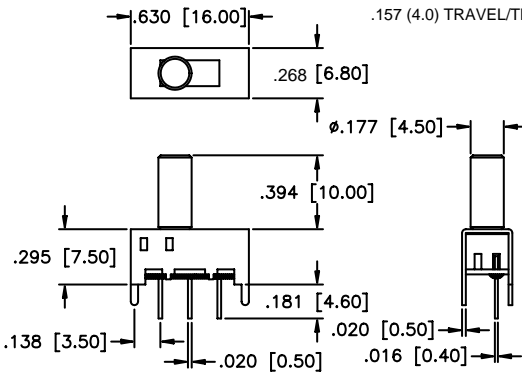
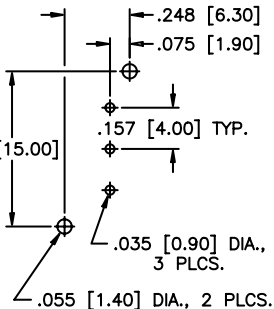

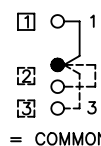
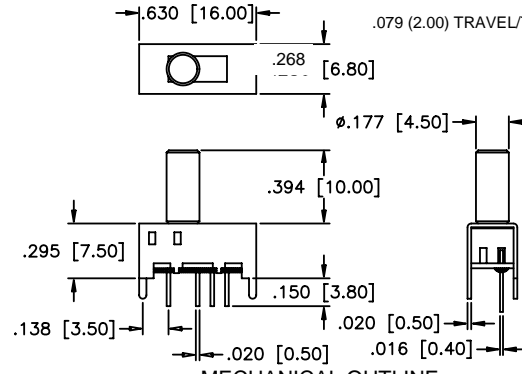
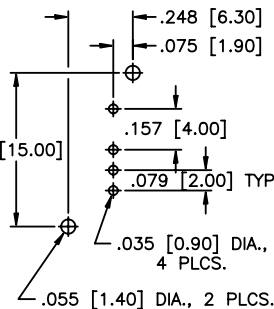
MODEL NO.			
MSTS1332K			
 <p>VERTICAL ACTUATOR</p>	<p>1P3T</p>  <p>● = COMMON</p>	<p>MECHANICAL OUTLINE</p> 	<p>P.C. BOARD LAYOUT</p> 
MODEL NO.			
MSTS2332K			
 <p>VERTICAL ACTUATOR</p>	<p>2P3T</p>  <p>● = COMMON</p>	<p>MECHANICAL OUTLINE</p> 	<p>P.C. BOARD LAYOUT</p> 

MHS Series

Miniature Slide Switches

with aluminum actuator

SPECIFICATIONS	FEATURES
<p>Contact rating: 300 mA at 30 VDC</p> <p>Initial contact resistance: 20 milliohms max.</p> <p>Insulation resistance: 100 megohms min. at 500 VDC</p> <p>Dielectric strength: 500 VAC for 1 minute</p> <p>Electrical life: 10,000 cycles min.</p> <p>Operating temperature range: -20°C to +85°C</p> <p>Solder heat resistance: 260°C max. for 3 seconds</p> <p>Actuation force: 250 ±150 grams</p> <p>Solvent washing permissible</p>	<ul style="list-style-type: none"> ● Miniature compact size. ● Wash-through open frame construction. ● Positive spring loaded ball detent mechanism. ● Epoxy sealed terminals.
MATERIALS	
<p>Contacts & terminals: Silver plated brass</p> <p>Housing: Tin plated steel</p> <p>Actuator: Aluminum alloy</p> <p>Base: Phenolic laminated sheet</p>	<p>Terminal seal: Epoxy</p>

MODEL NO.			
MHS122K	1P2T		
 <p style="text-align: center;">VERTICAL ACTUATOR</p>	 <p style="text-align: center;">SCHEMATIC</p>	 <p style="text-align: center;">MECHANICAL OUTLINE</p>	 <p style="text-align: center;">P.C. BOARD LAYOUT</p>
MODEL NO.			
MHS133K	1P3T		
 <p style="text-align: center;">VERTICAL ACTUATOR</p>	 <p style="text-align: center;">SCHEMATIC</p>	 <p style="text-align: center;">MECHANICAL OUTLINE</p>	 <p style="text-align: center;">P.C. BOARD LAYOUT</p>

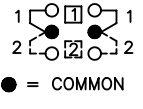
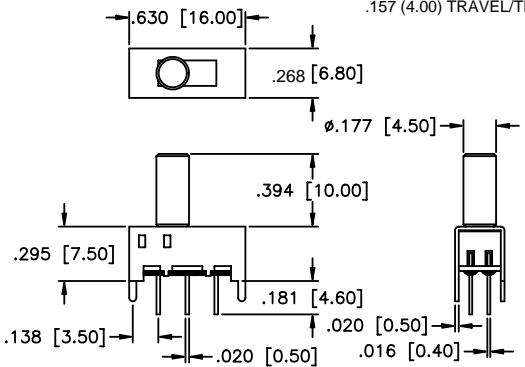
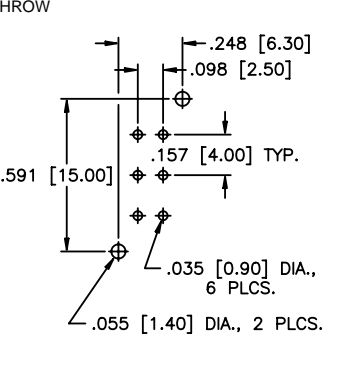
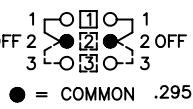
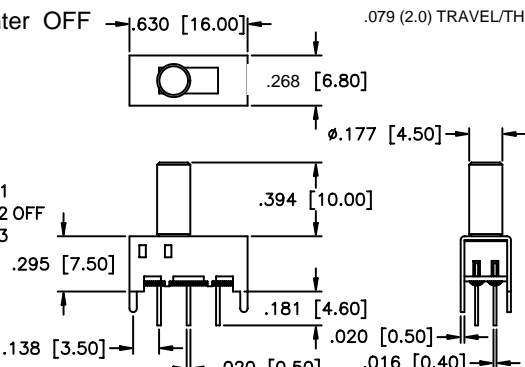
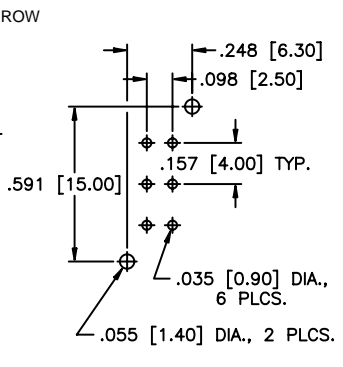
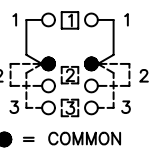
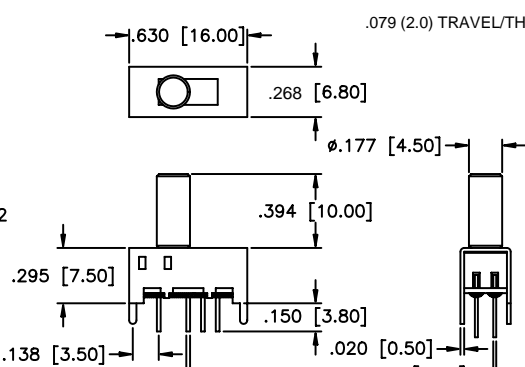
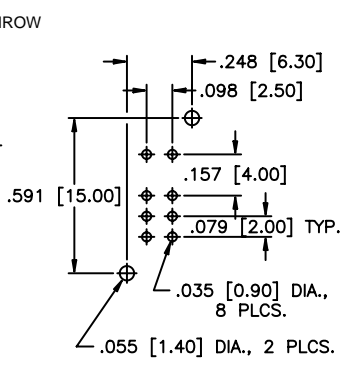
SPECIFICATIONS SUBJECT TO CHANGE WITHOUT NOTICE

MHS Series

Miniature Slide Switches

with aluminum actuator

SPECIFICATIONS SUBJECT TO CHANGE WITHOUT NOTICE

<p>MODEL NO.</p> <p>MHS222K</p>	<p>2P2T</p>  <p>● = COMMON</p>	 <p style="text-align: center;">MECHANICAL OUTLINE</p>	 <p style="text-align: center;">P.C. BOARD LAYOUT</p>	
<p>VERTICAL ACTUATOR</p>	<p>MODEL NO.</p> <p>MHS223K</p>	<p>2P2T w/center OFF</p>  <p>● = COMMON</p>	 <p style="text-align: center;">MECHANICAL OUTLINE</p>	 <p style="text-align: center;">P.C. BOARD LAYOUT</p>
<p>VERTICAL ACTUATOR</p>	<p>MODEL NO.</p> <p>MHS233K</p>	<p>2P3T</p>  <p>● = COMMON</p>	 <p style="text-align: center;">MECHANICAL OUTLINE</p>	 <p style="text-align: center;">P.C. BOARD LAYOUT</p>
<p>VERTICAL ACTUATOR</p>	<p>SCHMATIC</p>	<p>SCHMATIC</p>	<p>SCHMATIC</p>	<p>SCHMATIC</p>


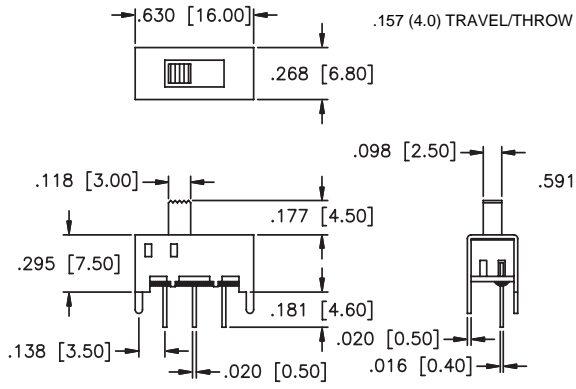
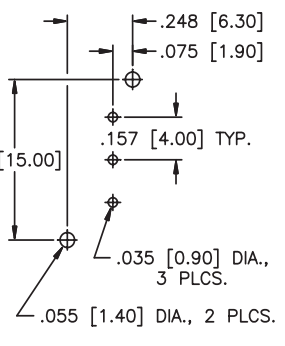

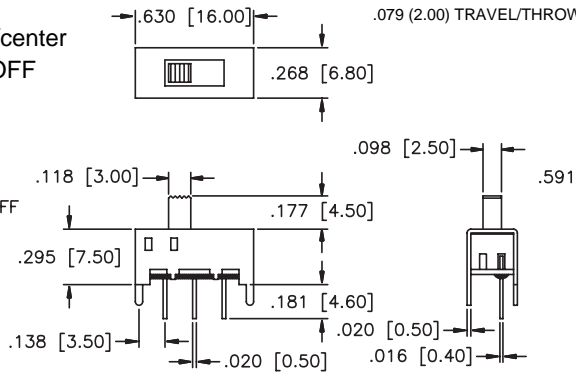
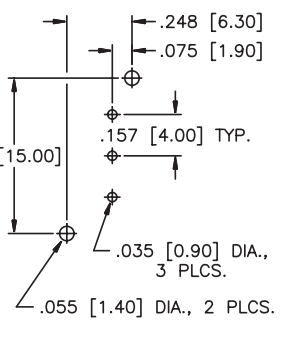

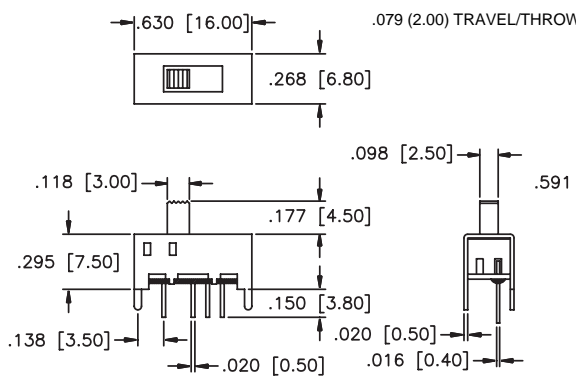
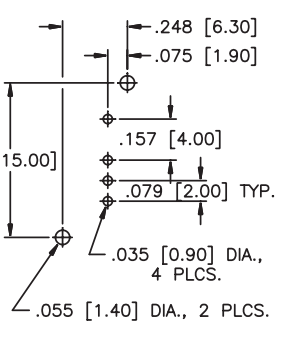
New!

MHS Series

Miniature Slide Switches

SPECIFICATIONS	FEATURES
<p>Contact rating: 300 mA at 30 VDC</p> <p>Initial contact resistance: 20 milliohms max.</p> <p>Insulation resistance: 100 megohms min. at 500 VDC</p> <p>Dielectric strength: 500 VAC for 1 minute</p> <p>Electrical life: 10,000 cycles min.</p> <p>Operating temperature range: -20°C to +85°C</p> <p>Solder heat resistance: 260°C max. for 3 seconds</p> <p>Actuation force: 250 ±150 grams</p> <p>Solvent washing permissible</p>	<ul style="list-style-type: none"> ● Miniature compact size. ● Wash-through open frame construction. ● Positive spring loaded ball detent mechanism. ● Epoxy sealed terminals.
	MATERIALS
	<p>Contacts & terminals: Silver plated brass</p> <p>Housing: Tin plated steel</p> <p>Actuator: Polyacetal</p> <p>Base: Phenolic laminated sheet</p> <p style="text-align: right;">Terminal seal: Epoxy</p>

SPECIFICATIONS SUBJECT TO CHANGE WITHOUT NOTICE

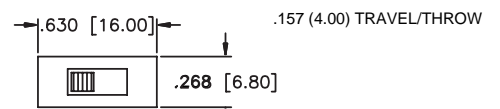

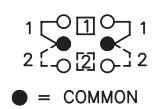
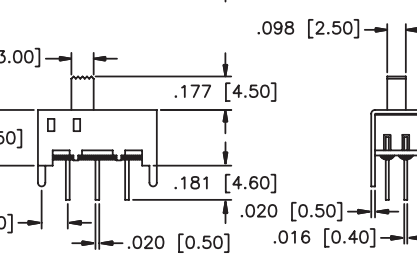
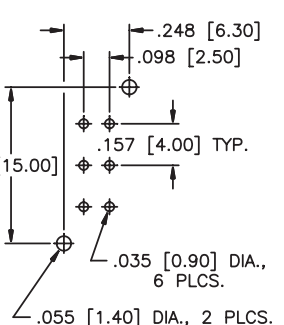
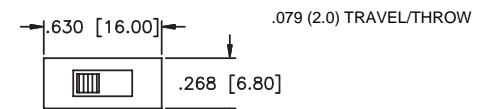

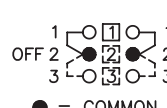
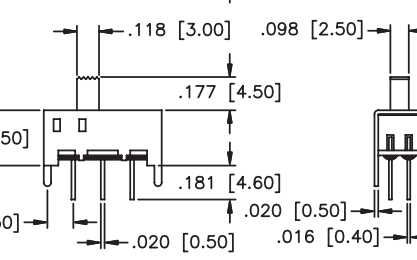
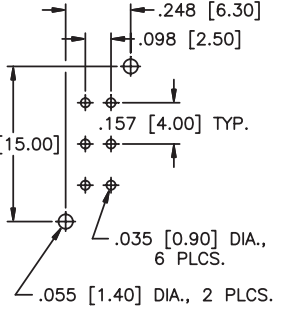
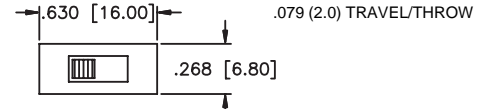

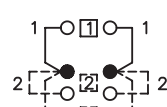
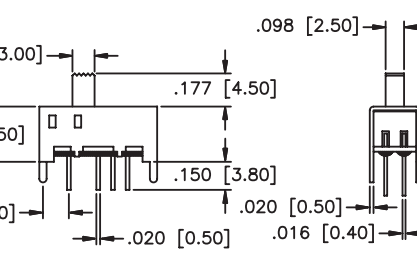
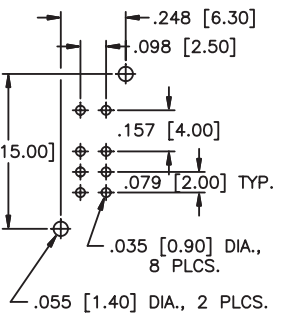
MODEL NO.			
MHS122			
	1P2T		
VERTICAL ACTUATOR	SCHEMATIC	MECHANICAL OUTLINE	P.C. BOARD LAYOUT
MODEL NO.			
MHS123			
	1P2T w/center OFF		
VERTICAL ACTUATOR	SCHEMATIC	MECHANICAL OUTLINE	P.C. BOARD LAYOUT
MODEL NO.			
MHS133			
	1P3T		
VERTICAL ACTUATOR	SCHEMATIC	MECHANICAL OUTLINE	P.C. BOARD LAYOUT

MHS Series

Miniature Slide Switches

New!

SPECIFICATIONS SUBJECT TO CHANGE WITHOUT NOTICE

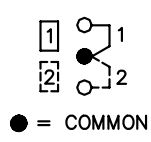
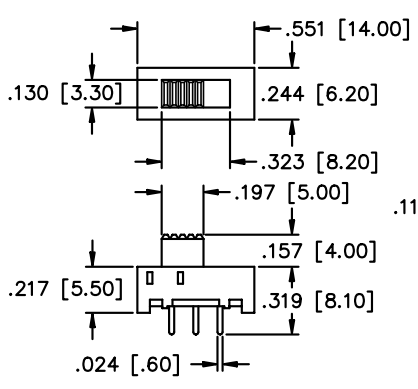
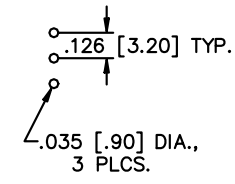

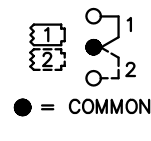
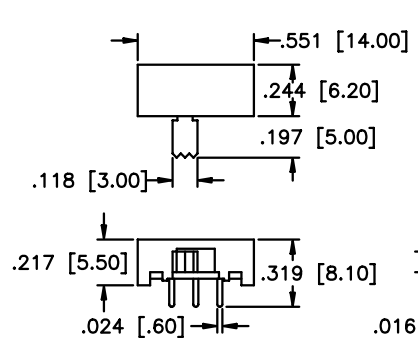
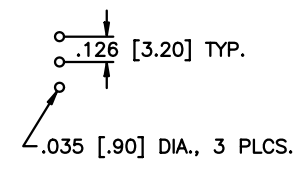

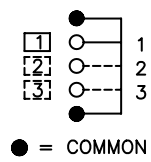
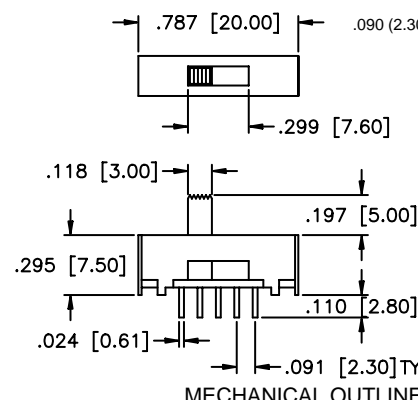
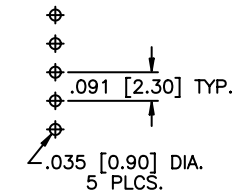
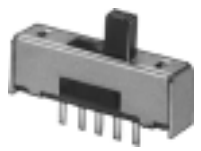
<p>MODEL NO.</p>	<p>2P2T</p>  <p>.157 (4.00) TRAVEL/THROW</p>		
<p>MHS222</p>			
 <p>VERTICAL ACTUATOR</p>	 <p>● = COMMON</p>	 <p>MECHANICAL OUTLINE</p>	 <p>P.C. BOARD LAYOUT</p>
<p>MODEL NO.</p>	<p>2P2T w/center OFF</p>  <p>.079 (2.0) TRAVEL/THROW</p>		
<p>MHS223</p>			
 <p>VERTICAL ACTUATOR</p>	 <p>● = COMMON</p>	 <p>MECHANICAL OUTLINE</p>	 <p>P.C. BOARD LAYOUT</p>
<p>MODEL NO.</p>	<p>2P3T</p>  <p>.079 (2.0) TRAVEL/THROW</p>		
<p>MHS233</p>			
 <p>VERTICAL ACTUATOR</p>	 <p>● = COMMON</p>	 <p>MECHANICAL OUTLINE</p>	 <p>P.C. BOARD LAYOUT</p>

SLB Series

(with p.c. board stand-off bracket)

Miniature Slide Switches

SPECIFICATIONS	FEATURES
<p>Contact ratings: 300 mA at 125 VAC or 30 VDC</p> <p>Initial contact resistance: 20 milliohms max.</p> <p>Insulation resistance: 100 megohms min. at 500 VDC</p> <p>Dielectric strength: 500 volts RMS for 1 minute</p> <p>Electrical life: 10,000 cycles min.</p> <p>Operating temperature range: -20°C to +85°C</p> <p>Actuation force: 220g ± 100g</p> <p>Solder heat resistance: 260°C max. for 3 seconds</p> <p>Solvent washing permissible</p>	<ul style="list-style-type: none"> Miniature compact size. Wash-through open frame construction. Positive spring loaded ball detent mechanism. Epoxy sealed terminals.
MATERIALS	
<p>Contacts & terminals: Silver plated</p> <p>Frame: Zinc plated steel</p> <p>Actuator: Thermoplastic</p> <p>Base: Phenolic laminated sheet</p>	<p>Terminal seal: Epoxy</p>

<p>MODEL NO.</p> <p>SLB12814</p>	<p>1P2T</p> 		
 <p>VERTICAL ACTUATOR</p>	<p>SCHEMATIC</p> <p>MECHANICAL OUTLINE</p>	<p>P.C. BOARD LAYOUT</p>	
<p>MODEL NO.</p> <p>SLB1281R5</p>	<p>1P2T</p> 		
 <p>RIGHT ANGLE ACTUATOR</p>	<p>SCHEMATIC</p> <p>MECHANICAL OUTLINE</p>	<p>P.C. BOARD LAYOUT</p>	
<p>MODEL NO.</p> <p>SLB1370</p>	<p>1P3T</p> 		
 <p>VERTICAL ACTUATOR</p>	<p>SCHEMATIC</p> <p>MECHANICAL OUTLINE</p>	<p>P.C. BOARD LAYOUT</p>	


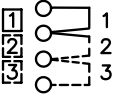
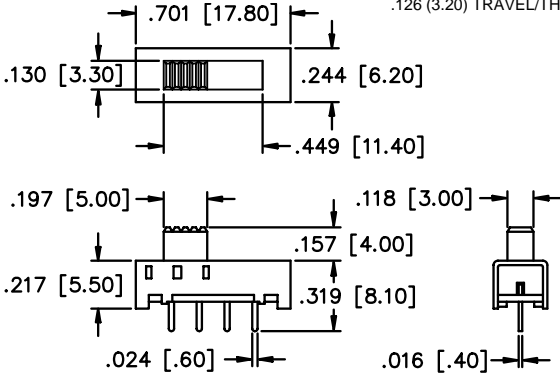
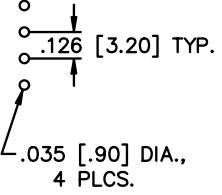

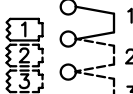
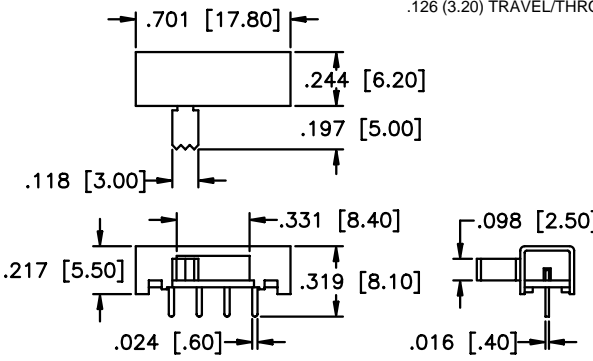
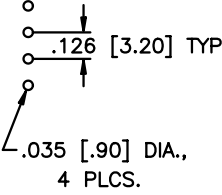
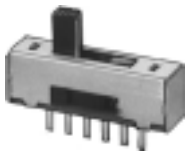
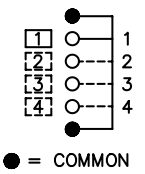
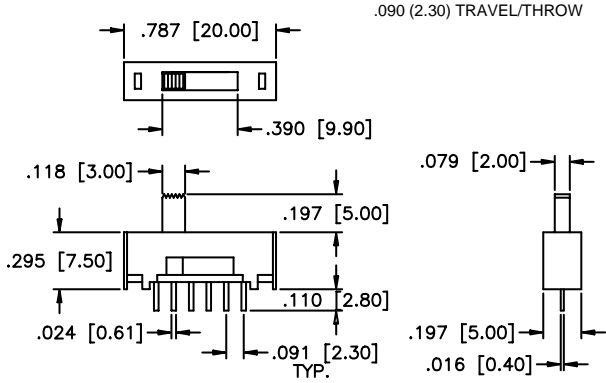
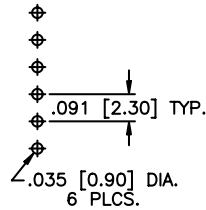

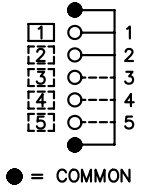
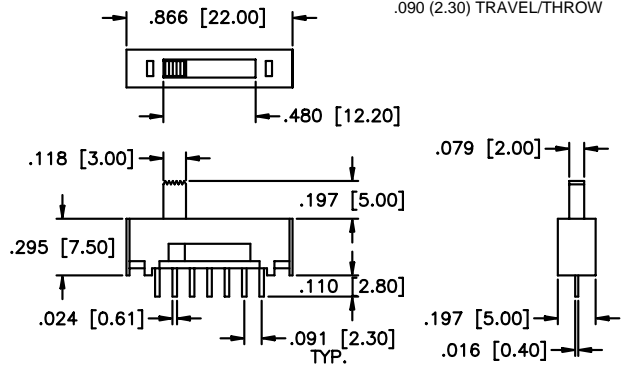
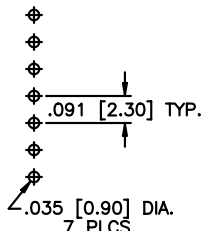
SPECIFICATIONS SUBJECT TO CHANGE WITHOUT NOTICE

SLB Series

(with p.c. board stand-off bracket)

Miniature Slide Switches

SPECIFICATIONS SUBJECT TO CHANGE WITHOUT NOTICE


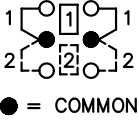
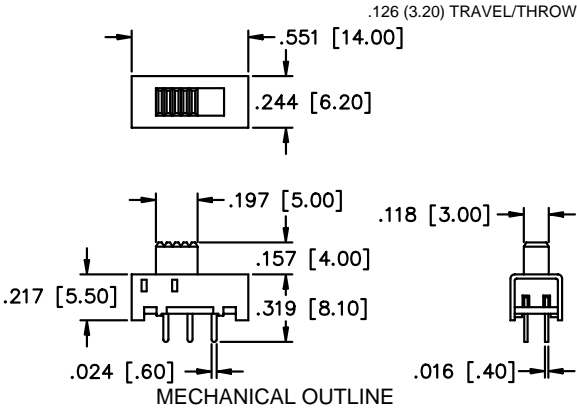
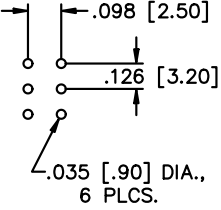

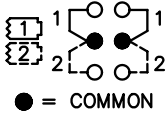
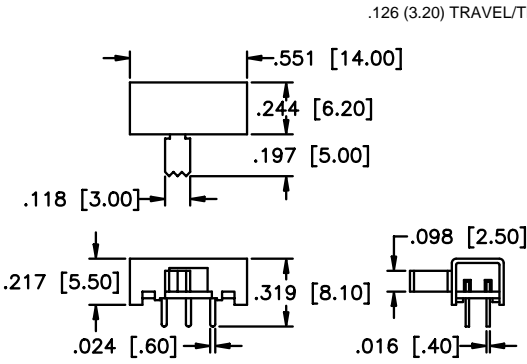
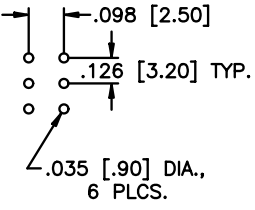

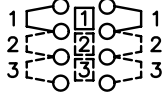
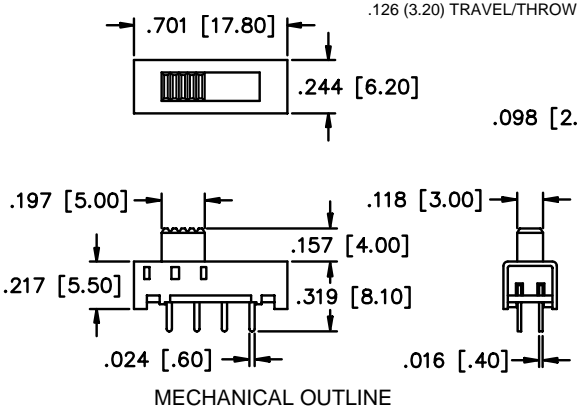
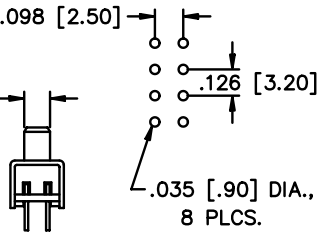

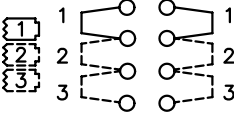
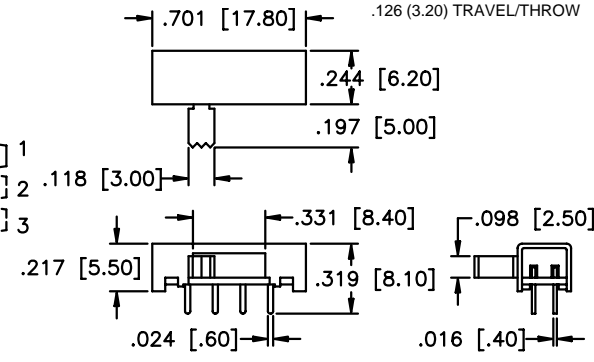
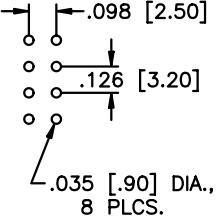
<p>MODEL NO.</p> <p>SLB13814</p>  <p>VERTICAL ACTUATOR</p>	<p>1P3T</p>  <p>SCHMATIC</p>	<p style="text-align: right;">.126 (3.20) TRAVEL/THROW</p>  <p>MECHANICAL OUTLINE</p>	 <p>P.C. BOARD LAYOUT</p>
<p>MODEL NO.</p> <p>SLB1381R5</p>  <p>RIGHT ANGLE ACTUATOR</p>	<p>1P3T</p>  <p>SCHMATIC</p>	<p style="text-align: right;">.126 (3.20) TRAVEL/THROW</p>  <p>MECHANICAL OUTLINE</p>	 <p>P.C. BOARD LAYOUT</p>
<p>MODEL NO.</p> <p>SLB1470</p>  <p>VERTICAL ACTUATOR</p>	<p>1P4T</p>  <p>SCHMATIC</p>	<p style="text-align: right;">.090 (2.30) TRAVEL/THROW</p>  <p>MECHANICAL OUTLINE</p>	 <p>P.C. BOARD LAYOUT</p>
<p>MODEL NO.</p> <p>SLB1570</p>  <p>VERTICAL ACTUATOR</p>	<p>1P5T</p>  <p>SCHMATIC</p>	<p style="text-align: right;">.090 (2.30) TRAVEL/THROW</p>  <p>MECHANICAL OUTLINE</p>	 <p>P.C. BOARD LAYOUT</p>

SLB Series

(with p.c. board stand-off bracket)

Miniature Slide Switches

SPECIFICATIONS SUBJECT TO CHANGE WITHOUT NOTICE

<p>MODEL NO.</p> <p>SLB22814</p>  <p>VERTICAL ACTUATOR</p>	<p>2P2T</p>  <p>● = COMMON</p> <p>SCHEMATIC</p>	 <p>MECHANICAL OUTLINE</p>	 <p>P.C. BOARD LAYOUT</p>
<p>MODEL NO.</p> <p>SLB2281R5</p>  <p>RIGHT ANGLE ACTUATOR</p>	<p>2P2T</p>  <p>● = COMMON</p> <p>SCHEMATIC</p>	 <p>MECHANICAL OUTLINE</p>	 <p>P.C. BOARD LAYOUT</p>
<p>MODEL NO.</p> <p>SLB23814</p>  <p>VERTICAL ACTUATOR</p>	<p>2P3T</p>  <p>SCHEMATIC</p>	 <p>MECHANICAL OUTLINE</p>	 <p>P.C. BOARD LAYOUT</p>
<p>MODEL NO.</p> <p>SLB2381R5</p>  <p>RIGHT ANGLE ACTUATOR</p>	<p>2P3T</p>  <p>SCHEMATIC</p>	 <p>MECHANICAL OUTLINE</p>	 <p>P.C. BOARD LAYOUT</p>


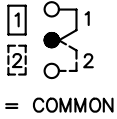
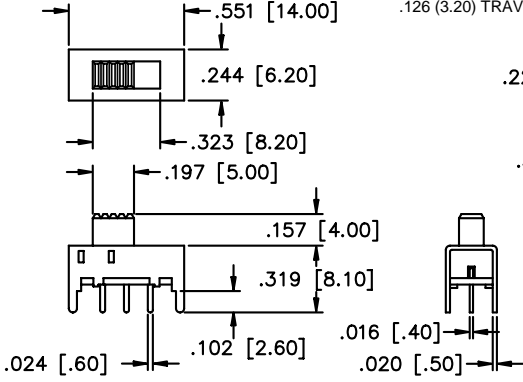
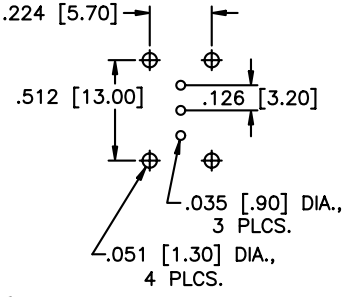

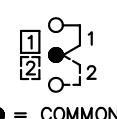
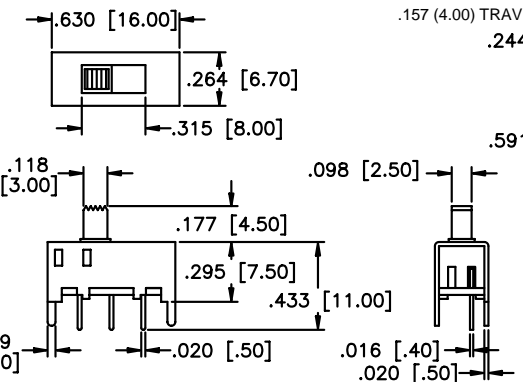
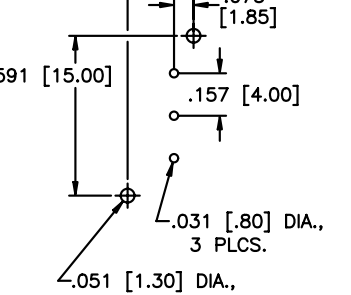

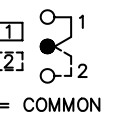
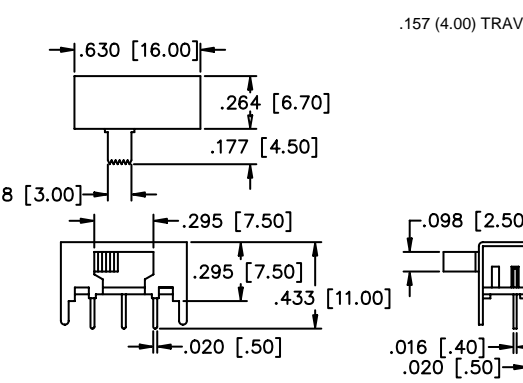
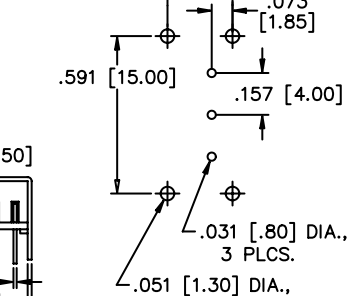
SLB Series

(with thru- p.c. board hole mounting bracket)

Miniature Slide Switches

SPECIFICATIONS SUBJECT TO CHANGE WITHOUT NOTICE

SPECIFICATIONS	FEATURES
<p>Contact ratings: 300 mA at 125 VAC or 30 VDC</p> <p>Initial contact resistance: 20 milliohms max.</p> <p>Insulation resistance: 100 megohms min. at 500 VDC</p> <p>Dielectric strength: 500 volts RMS for 1 minute</p> <p>Electrical life: 10,000 cycles min.</p> <p>Operating temperature range: -20°C to +85°C</p> <p>Actuation force: 220g ± 100g</p> <p>Solder heat resistance: 260°C max. for 3 seconds</p> <p>Solvent washing permissible</p>	<ul style="list-style-type: none"> • Miniature compact size. • Wash-through open frame construction. • Positive spring loaded ball detent mechanism. • Epoxy sealed terminals.
	MATERIALS
	<p>Contacts & terminals: Silver plated</p> <p>Frame: Zinc plated steel</p> <p>Actuator: Thermoplastic</p> <p>Base: Phenolic laminated sheet</p> <p style="text-align: right;">Terminal seal: Epoxy</p>


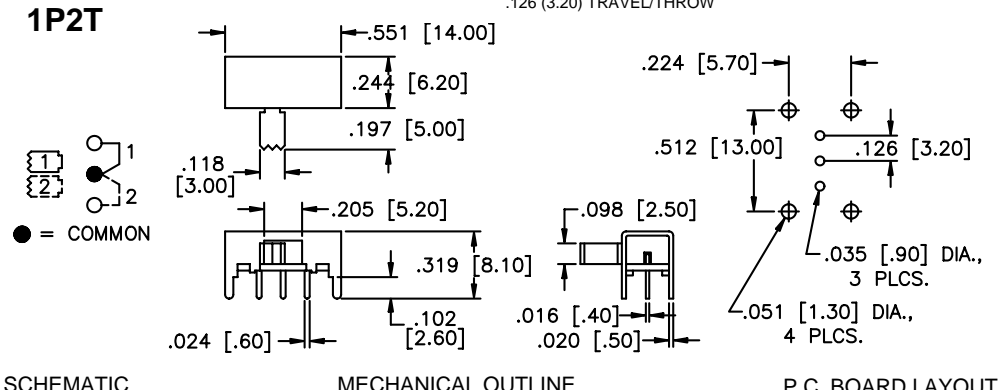

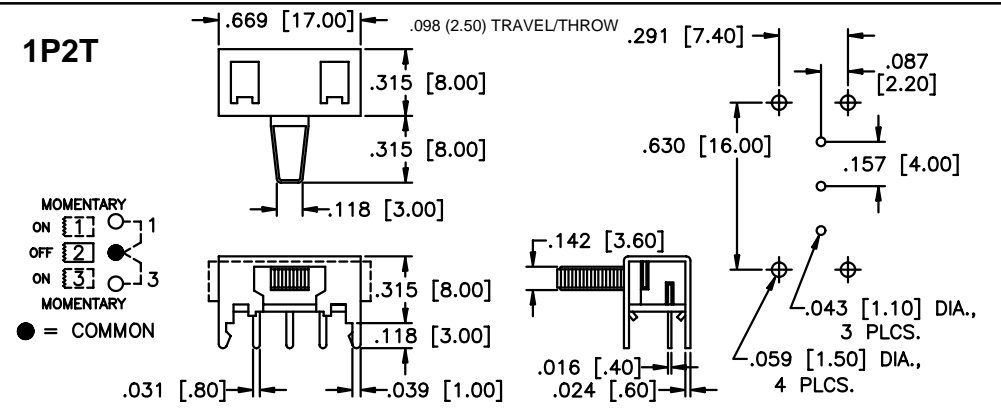
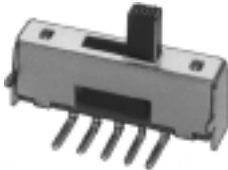
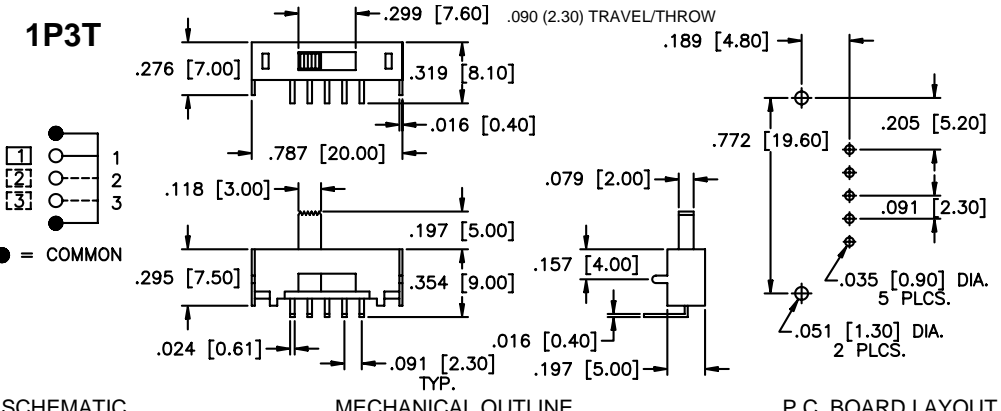

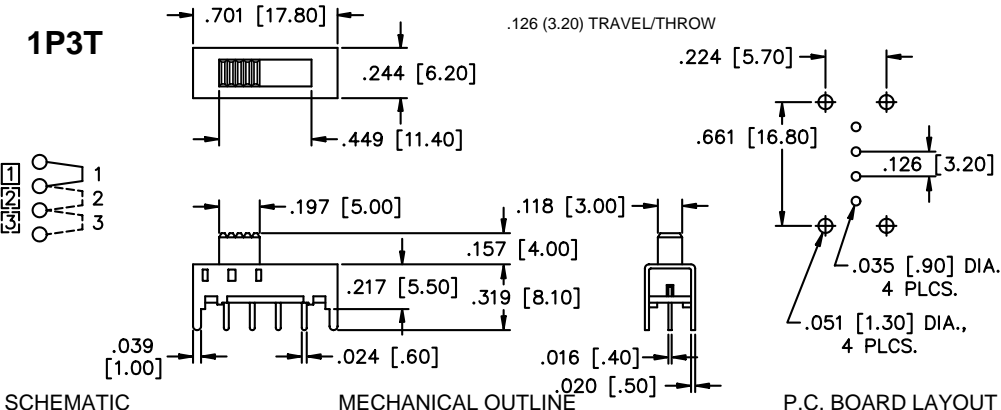
MODEL NO.			
SLB12804			
	<p>1P2T</p>  <p>● = COMMON</p>	 <p>MECHANICAL OUTLINE</p>	 <p>P.C. BOARD LAYOUT</p>
SLB124145			
	<p>1P2T</p>  <p>● = COMMON</p>	 <p>MECHANICAL OUTLINE</p>	 <p>P.C. BOARD LAYOUT</p>
SLB1240R45			
	<p>1P2T</p>  <p>● = COMMON</p>	 <p>MECHANICAL OUTLINE</p>	 <p>P.C. BOARD LAYOUT</p>

SLB Series

(with thru-p.c. board hole mounting bracket)

Miniature Slide Switches

SPECIFICATIONS SUBJECT TO CHANGE WITHOUT NOTICE




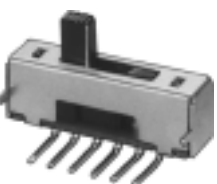
<p>MODEL NO.</p> <p>SLB1280R5</p>  <p>RIGHT ANGLE ACTUATOR</p>	<p style="text-align: right;">.126 (3.20) TRAVEL/THROW</p> <p>1P2T</p>  <p style="text-align: center;">SCHEMATIC MECHANICAL OUTLINE P.C. BOARD LAYOUT</p>
<p>MODEL NO.</p> <p>SLB1250R8</p>  <p>RIGHT ANGLE ACTUATOR</p>	<p style="text-align: right;">.098 (2.50) TRAVEL/THROW</p> <p>1P2T</p>  <p style="text-align: center;">SCHEMATIC MECHANICAL OUTLINE P.C. BOARD LAYOUT</p>
<p>MODEL NO.</p> <p>SLB1370R</p>  <p>RIGHT ANGLE ACTUATOR</p>	<p style="text-align: right;">.090 (2.30) TRAVEL/THROW</p> <p>1P3T</p>  <p style="text-align: center;">SCHEMATIC MECHANICAL OUTLINE P.C. BOARD LAYOUT</p>
<p>MODEL NO.</p> <p>SLB13804</p>  <p>VERTICAL ACTUATOR</p>	<p style="text-align: right;">.126 (3.20) TRAVEL/THROW</p> <p>1P3T</p>  <p style="text-align: center;">SCHEMATIC MECHANICAL OUTLINE P.C. BOARD LAYOUT</p>

SLB Series

(with thru-p.c. board hole mounting bracket)

Miniature Slide Switches

SPECIFICATIONS SUBJECT TO CHANGE WITHOUT NOTICE

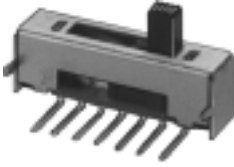
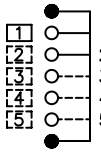
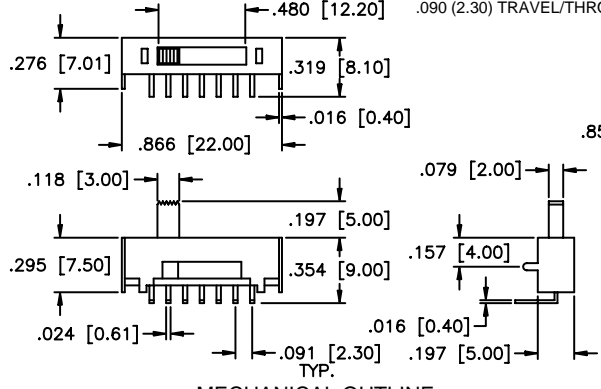
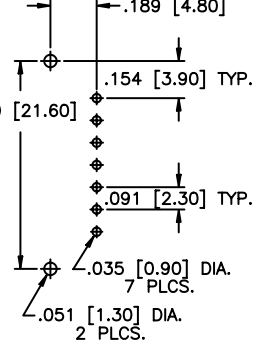

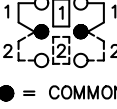
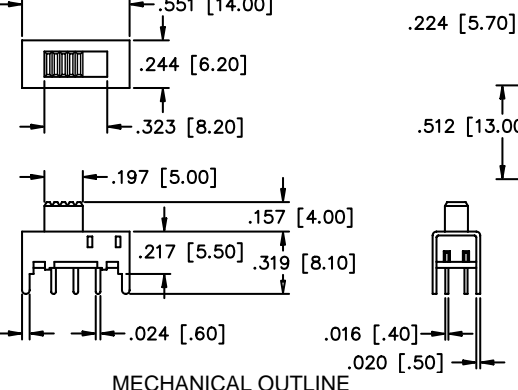
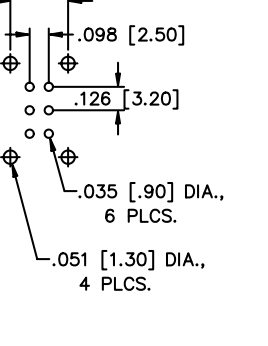
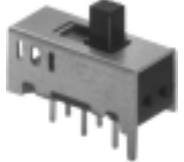
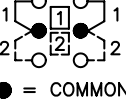
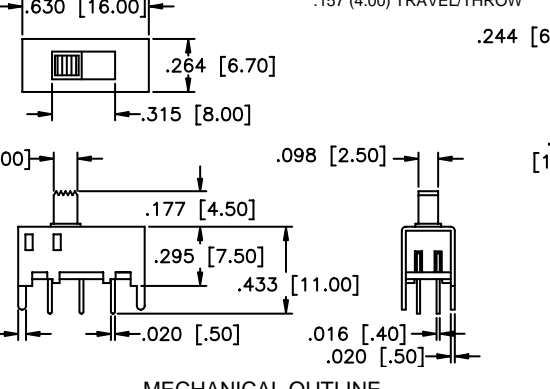
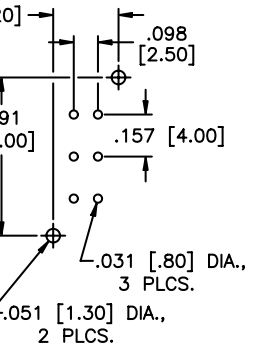
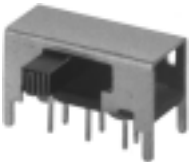
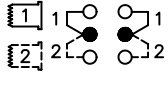
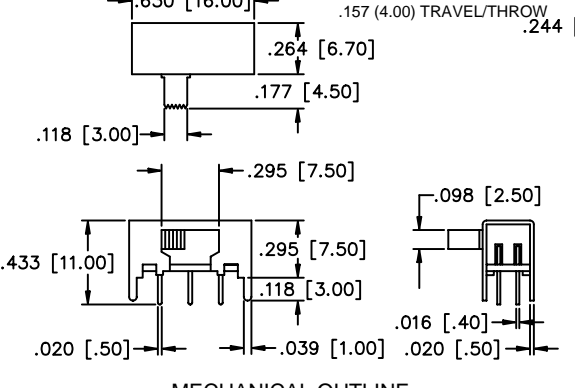
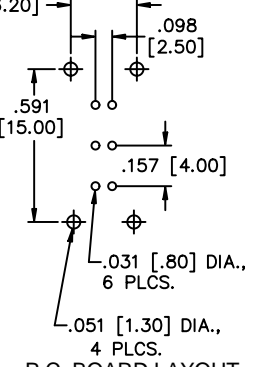
MODEL NO. SLB134145	<p>1P3T</p>  <p>VERTICAL ACTUATOR</p> <p>Schematic: 1P3T configuration with terminals 1, 2, and 3. Terminal 2 is the common terminal.</p> <p>Mechanical Outline: Dimensions include .630 [16.00] total width, .079 (2.00) TRAVEL/THROW, .264 [6.70] actuator height, .315 [8.00] terminal spacing, .118 [3.00] terminal offset, .177 [4.50] terminal width, .295 [7.50] base height, .433 [11.00] base length, .098 [2.50] actuator stem diameter, .020 [.50] base thickness, .244 [6.20] mounting hole spacing, .591 [15.00] mounting hole offset, .073 [1.85] mounting hole diameter, .157 [4.00] terminal offset, .079 [2.00] TYP. terminal width, .031 [.80] DIA., 4 PLCS. terminal diameter, and .051 [1.30] DIA., 2 PLCS. terminal diameter.</p> <p>P.C. BOARD LAYOUT: Shows mounting hole positions and terminal locations.</p>
MODEL NO. SLB1340R45	<p>1P3T</p>  <p>RIGHT ANGLE ACTUATOR</p> <p>Schematic: 1P3T configuration with terminals 1, 2, and 3. Terminal 2 is the common terminal.</p> <p>Mechanical Outline: Dimensions include .630 [16.00] total width, .079 (2.00) TRAVEL/THROW, .264 [6.70] actuator height, .177 [4.50] terminal width, .118 [3.00] terminal offset, .295 [7.50] base height, .433 [11.00] base length, .098 [2.50] actuator stem diameter, .039 [1.00] base offset, .020 [.50] base thickness, .244 [6.20] mounting hole spacing, .591 [15.00] mounting hole offset, .073 [1.85] mounting hole diameter, .157 [4.00] terminal offset, .079 [2.00] TYP. terminal width, .031 [.80] DIA., 4 PLCS. terminal diameter, and .051 [1.30] DIA., 4 PLCS. terminal diameter.</p> <p>P.C. BOARD LAYOUT: Shows mounting hole positions and terminal locations.</p>
MODEL NO. SLB1380R5	<p>1P3T</p>  <p>RIGHT ANGLE ACTUATOR</p> <p>Schematic: 1P3T configuration with terminals 1, 2, and 3. Terminal 2 is the common terminal.</p> <p>Mechanical Outline: Dimensions include .701 [17.80] total width, .126 (3.20) TRAVEL/THROW, .244 [6.20] actuator height, .197 [5.00] terminal width, .118 [3.00] terminal offset, .331 [8.40] terminal spacing, .217 [5.50] base height, .319 [8.10] base length, .098 [2.50] actuator stem diameter, .039 [1.00] base offset, .024 [.60] base thickness, .102 [2.60] base offset, .244 [6.20] mounting hole spacing, .661 [16.80] mounting hole offset, .126 [3.20] mounting hole diameter, .035 [.90] DIA., 4 PLCS. terminal diameter, and .051 [1.30] DIA., 4 PLCS. terminal diameter.</p> <p>P.C. BOARD LAYOUT: Shows mounting hole positions and terminal locations.</p>
MODEL NO. SLB1470R	<p>1P4T</p>  <p>RIGHT ANGLE ACTUATOR</p> <p>Schematic: 1P4T configuration with terminals 1, 2, 3, and 4. Terminal 2 is the common terminal.</p> <p>Mechanical Outline: Dimensions include .390 [9.90] total width, .090 (2.30) TRAVEL/THROW, .276 [7.00] actuator height, .319 [8.10] base length, .016 [0.40] terminal offset, .787 [20.00] terminal spacing, .118 [3.00] terminal offset, .197 [5.00] terminal width, .295 [7.50] base height, .354 [9.00] base length, .079 [2.00] actuator stem diameter, .024 [0.61] base offset, .091 [2.30] TYP. base offset, .016 [0.40] base thickness, .157 [4.00] mounting hole offset, .189 [4.80] mounting hole offset, .159 [4.05] mounting hole diameter, .091 [2.30] TYP. terminal width, .035 [.90] DIA., 6 PLCS. terminal diameter, and .051 [1.30] DIA., 2 PLCS. terminal diameter.</p> <p>P.C. BOARD LAYOUT: Shows mounting hole positions and terminal locations.</p>

SLB Series

(with thru-p.c. board hole mounting bracket)

Miniature Slide Switches


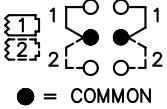
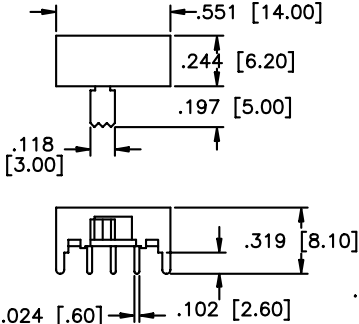
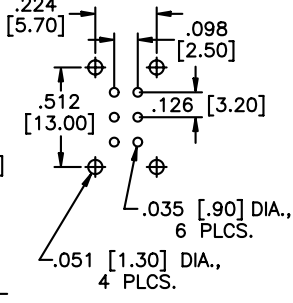

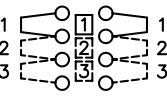
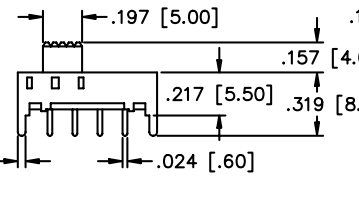
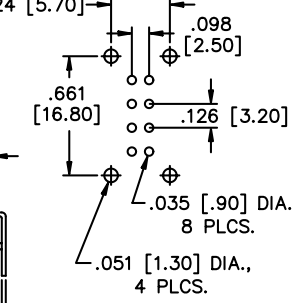
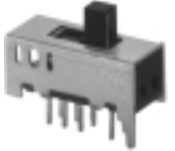
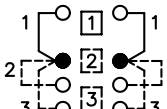
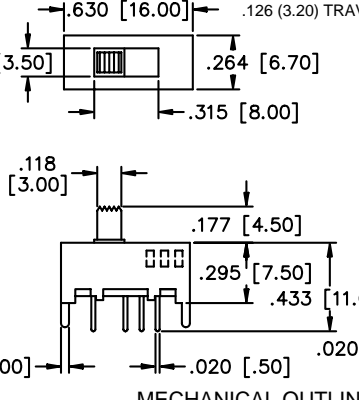
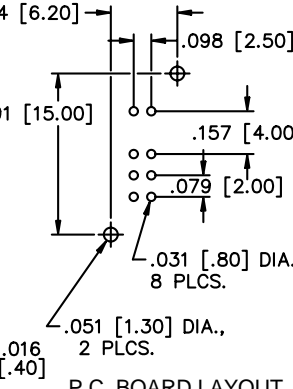

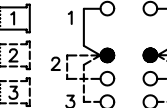
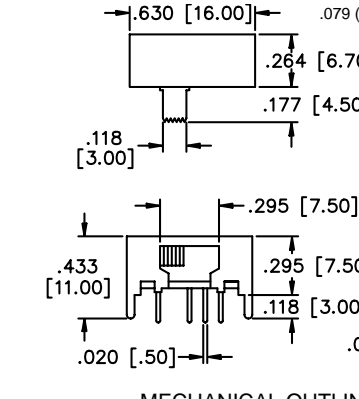
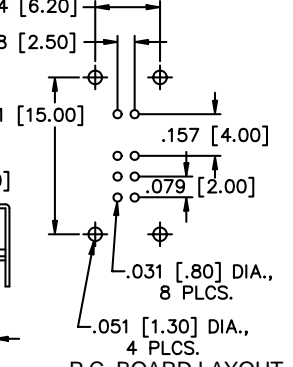
SPECIFICATIONS SUBJECT TO CHANGE WITHOUT NOTICE

<p>MODEL NO. SLB1570R</p>  <p>RIGHT ANGLE ACTUATOR</p>	<p>1P5T</p>  <p>● = COMMON</p>  <p>MECHANICAL OUTLINE</p>  <p>P.C. BOARD LAYOUT</p>
<p>MODEL NO. SLB22804</p>  <p>VERTICAL ACTUATOR</p>	<p>2P2T</p>  <p>● = COMMON</p>  <p>MECHANICAL OUTLINE</p>  <p>P.C. BOARD LAYOUT</p>
<p>MODEL NO. SLB224145</p>  <p>VERTICAL ACTUATOR</p>	<p>2P2T</p>  <p>● = COMMON</p>  <p>MECHANICAL OUTLINE</p>  <p>P.C. BOARD LAYOUT</p>
<p>MODEL NO. SLB2240R45</p>  <p>RIGHT ANGLE ACTUATOR</p>	<p>2P2T</p>  <p>● = COMMON</p>  <p>MECHANICAL OUTLINE</p>  <p>P.C. BOARD LAYOUT</p>

SLB Series

(with thru-p.c. board hole mounting bracket)
Miniature Slide Switches

SPECIFICATIONS SUBJECT TO CHANGE WITHOUT NOTICE

MODEL NO.	.126 (3.20) TRAVEL/THROW		
SLB2280R5	2P2T		
 <p style="text-align: center;">RIGHT ANGLE ACTUATOR</p>	 <p style="text-align: center;">SCHEMATIC</p>	 <p style="text-align: center;">MECHANICAL OUTLINE</p>	 <p style="text-align: center;">P.C. BOARD LAYOUT</p>
MODEL NO.	.126 (3.20) TRAVEL/THROW		
SLB23804	2P3T		
 <p style="text-align: center;">VERTICAL ACTUATOR</p>	 <p style="text-align: center;">SCHEMATIC</p>	 <p style="text-align: center;">MECHANICAL OUTLINE</p>	 <p style="text-align: center;">P.C. BOARD LAYOUT</p>
MODEL NO.	.126 (3.20) TRAVEL/THROW		
SLB234145	2P3T		
 <p style="text-align: center;">VERTICAL ACTUATOR</p>	 <p style="text-align: center;">SCHEMATIC</p>	 <p style="text-align: center;">MECHANICAL OUTLINE</p>	 <p style="text-align: center;">P.C. BOARD LAYOUT</p>
MODEL NO.	.079 (2.00) TRAVEL/THROW		
SLB2340R45	2P3T		
 <p style="text-align: center;">RIGHT ANGLE ACTUATOR</p>	 <p style="text-align: center;">SCHEMATIC</p>	 <p style="text-align: center;">MECHANICAL OUTLINE</p>	 <p style="text-align: center;">P.C. BOARD LAYOUT</p>

SLC Series

Miniature Slide Switches

SPECIFICATIONS	FEATURES
<p>Contact ratings: 300 mA at 125 VAC or 30 VDC</p> <p>Initial contact resistance: 20 milliohms max.</p> <p>Insulation resistance: 100 megohms min. at 500 VDC</p> <p>Dielectric strength: 500 volts RMS for 1 minute</p> <p>Electrical life: 10,000 cycles min.</p> <p>Operating temperature range: -20°C to +85°C</p> <p>Actuation force: 220g ± 100g</p> <p>Solder heat resistance: 260°C max. for 3 seconds</p> <p>Solvent washing permissible</p>	<ul style="list-style-type: none"> ● Panel mounting with solder lug terminals. ● Wash-through open frame construction. ● Positive spring loaded ball detent mechanism.
MATERIALS	
<p>Contacts & terminals: Silver plated</p> <p>Frame: Zinc plated steel</p> <p>Actuator: Thermoplastic</p> <p>Base: Phenolic laminated sheet</p>	

<p style="background-color: #f2f2f2; margin: 0;">MODEL NO.</p> <p style="color: red; margin: 0;">SLC12007</p>	<div style="display: flex; justify-content: space-between;"> <div style="width: 20%;"> <p style="font-size: 1.2em; font-weight: bold;">1P2T</p> <p>● = COMMON</p> </div> <div style="width: 60%;"> <p style="text-align: center;">MECHANICAL OUTLINE</p> </div> <div style="width: 20%;"> <p style="text-align: center;">PANEL CUTOUT</p> </div> </div>
<p style="background-color: #f2f2f2; margin: 0;">MODEL NO.</p> <p style="color: red; margin: 0;">SLC120025</p>	<div style="display: flex; justify-content: space-between;"> <div style="width: 20%;"> <p style="font-size: 1.2em; font-weight: bold;">1P2T</p> <p>● = COMMON</p> </div> <div style="width: 60%;"> <p style="text-align: center;">MECHANICAL OUTLINE</p> </div> <div style="width: 20%;"> <p style="text-align: center;">PANEL CUTOUT</p> </div> </div>
<p style="background-color: #f2f2f2; margin: 0;">MODEL NO.</p> <p style="color: red; margin: 0;">SLC22007</p>	<div style="display: flex; justify-content: space-between;"> <div style="width: 20%;"> <p style="font-size: 1.2em; font-weight: bold;">2P2T</p> <p>● = COMMON</p> </div> <div style="width: 60%;"> <p style="text-align: center;">MECHANICAL OUTLINE</p> </div> <div style="width: 20%;"> <p style="text-align: center;">PANEL CUTOUT</p> </div> </div>


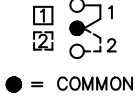
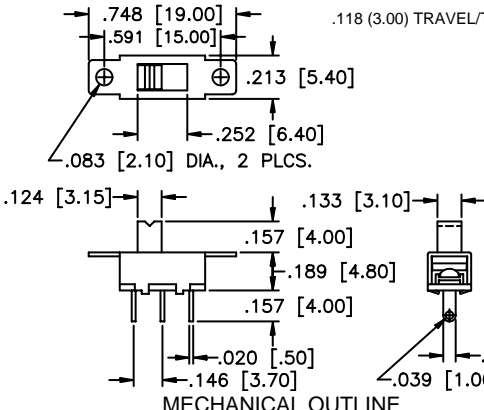
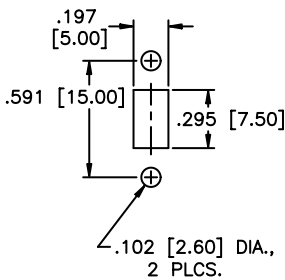

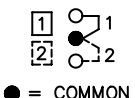
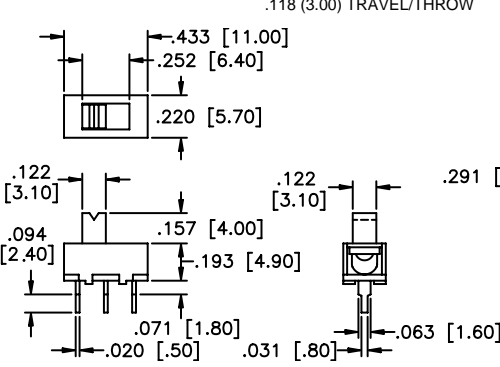
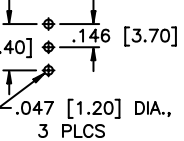
SPECIFICATIONS SUBJECT TO CHANGE WITHOUT NOTICE

SLG Series

Miniature Slide Switches

SPECIFICATIONS SUBJECT TO CHANGE WITHOUT NOTICE

SPECIFICATIONS	FEATURES
<p>Contact ratings: 300 mA at 125 VAC or 30 VDC Initial contact resistance: 20 milliohms max. Insulation resistance: 100 megohms min. at 500 VDC Dielectric strength: 500 volts RMS for 1 minute Electrical life: 10,000 cycles min. Operating temperature range: -20°C to +85°C Actuation force: 200g ± 75g Solder heat resistance: 260°C max. for 3 seconds Solvent washing permissible</p>	<ul style="list-style-type: none"> Wash-through open frame construction. Panel and p.c. mounting models. Positive spring loaded ball detent mechanism.
MATERIALS	
<p>Contacts & terminals: Silver plated Frame: Zinc plated steel Actuator: Thermoplastic Base: Phenolic laminated sheet</p>	

MODEL NO. SLG12004	1P2T	 <div style="display: flex; justify-content: space-around; align-items: center;"> <div style="text-align: center;">  <p>● = COMMON</p> </div> <div style="text-align: center;">  <p>MECHANICAL OUTLINE</p> </div> <div style="text-align: center;">  <p>PANEL CUTOUT</p> </div> </div> <p style="text-align: center;">SCHEMATIC</p>
MODEL NO. SLG12014	1P2T	 <p style="text-align: center;">VERTICAL MOUNTING</p> <div style="display: flex; justify-content: space-around; align-items: center;"> <div style="text-align: center;">  <p>● = COMMON</p> </div> <div style="text-align: center;">  <p>MECHANICAL OUTLINE</p> </div> <div style="text-align: center;">  <p>P.C. BOARD LAYOUT</p> </div> </div> <p style="text-align: center;">SCHEMATIC</p>

SLA Series


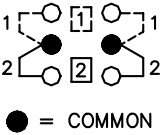
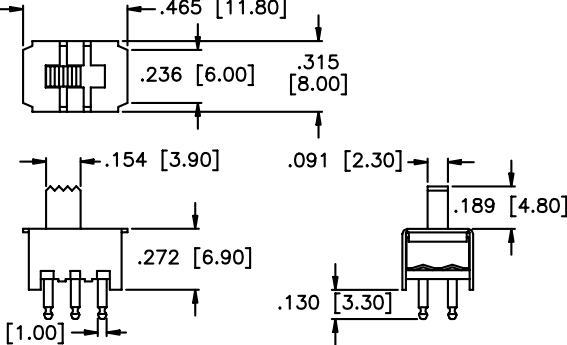
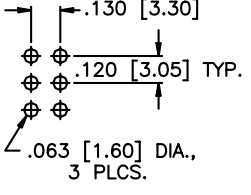
Miniature Slide Switches

SPECIFICATIONS	FEATURES
<p>Contact ratings: 500 mA at 125 VAC</p> <p>Initial contact resistance: 20 milliohms max.</p> <p>Insulation resistance: 100 megohms min. at 500 VDC</p> <p>Dielectric strength: 500 volts RMS for 1 minute</p> <p>Electrical life: 10,000 cycles min.</p> <p>Operating temperature range: -20°C to +85°C</p> <p>Actuation force: 350g ± 200g</p> <p>Solder heat resistance: 260°C max. for 3 seconds</p> <p>Solvent washing permissible</p>	<ul style="list-style-type: none"> ● Miniature compact size. ● Wash-through open frame construction. ● Panel and p.c. mounting models.
MATERIALS	
<p>Contacts & terminals: Silver plated brass</p> <p>Frame: Zinc plated steel</p> <p>Actuator: PBT Thermoplastic</p> <p>Base: Phenolic laminated sheet</p>	

<p style="background-color: #f2f2f2; padding: 2px;">MODEL NO.</p> <p style="color: red; font-weight: bold; padding: 2px;">SLA1200</p>	<p style="font-size: 1.2em; font-weight: bold;">1P2T</p> <p>● = COMMON</p>	<p style="text-align: center;">MECHANICAL OUTLINE</p> <p style="text-align: center;">P.C. BOARD LAYOUT</p>
<p style="background-color: #f2f2f2; padding: 2px;">MODEL NO.</p> <p style="color: red; font-weight: bold; padding: 2px;">SLA1201</p>	<p style="font-size: 1.2em; font-weight: bold;">1P2T</p> <p>● = COMMON</p>	<p style="text-align: center;">MECHANICAL OUTLINE</p> <p style="text-align: center;">P.C. BOARD LAYOUT</p>
<p style="background-color: #f2f2f2; padding: 2px;">MODEL NO.</p> <p style="color: red; font-weight: bold; padding: 2px;">SLA2200</p>	<p style="font-size: 1.2em; font-weight: bold;">2P2T</p> <p>● = COMMON</p>	<p style="text-align: center;">MECHANICAL OUTLINE</p> <p style="text-align: center;">P.C. BOARD LAYOUT</p>

SPECIFICATIONS SUBJECT TO CHANGE WITHOUT NOTICE

SPECIFICATIONS SUBJECT TO CHANGE WITHOUT NOTICE

MODEL NO.	2P2T		
SLA2201			
	 <p>● = COMMON</p>		
	SCHEMATIC	MECHANICAL OUTLINE	P.C. BOARD LAYOUT

