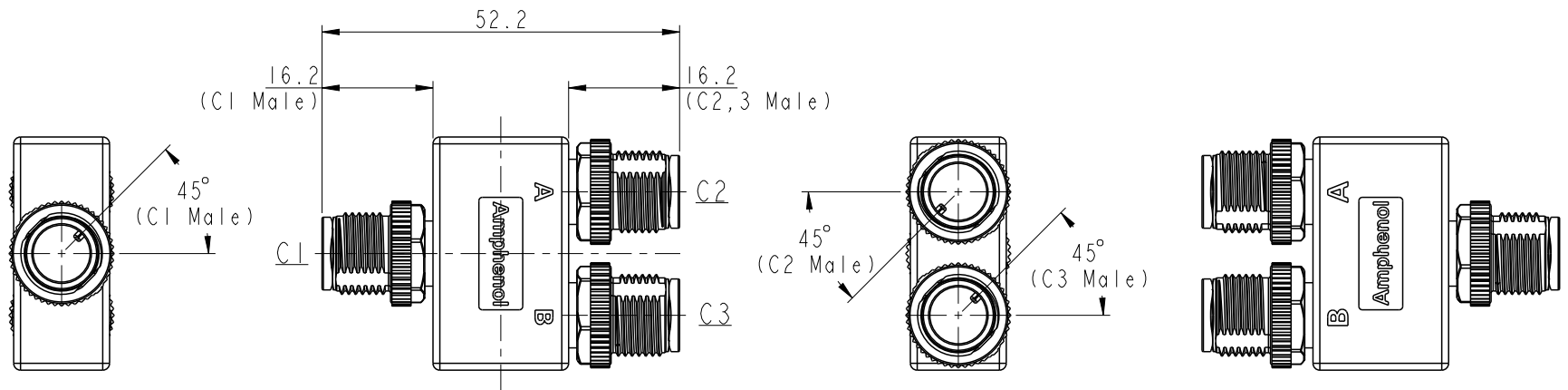


THIS DOCUMENT IS SUBJECT TO CHANGE WITHOUT NOTICE. IT IS CONFIDENTIAL AND A PROPERTY OF Amphenol LTW. DISCLOSURE TO THIRD PARTY HAS TO BE AUTHORIZED BY Amphenol LTW.

| REV. | ECN NO. | DATE       | SIGN     | DESCRIPTION       |
|------|---------|------------|----------|-------------------|
| A    |         | 2019/04/10 | Bovan Lu | Initial Released. |

### Male Connector Position & Key Direction



### Female Connector Position & Key Direction



※ This drawing is common drawing of series products.  
 The figure only shows individual position and key direction of male/female connectors.  
 Specific state of C1,2,3 connectors depends on part number. (see sheet 2/3)

**ALTW**  
**CONFIDENTIAL**  
 2019-04-10  
**R&D DEPT.**

- Note:
- \* IP: IP68 (1M/24Hr.)
  - \* Connector: Thermoplastic
  - \* Pin: Copper Alloy
  - \* Nut: Metal
  - \* Other:

|                                |  |                                 |                 |  |                 |                      |                                |                         |                    |
|--------------------------------|--|---------------------------------|-----------------|--|-----------------|----------------------|--------------------------------|-------------------------|--------------------|
| UNIT:mm<br>TOLERANCE<br>±0.5mm |  | TITLE<br>M12, A-Code, Y-Adaptor |                 | <h2 style="text-align: center;">Amphenol LTW</h2> <p style="text-align: center;">安費諾亮泰企業股份有限公司</p> | ITEM NO         | DRAWN BY<br>Bovan Lu | DATE<br>2019-04-10             |                         |                    |
|                                |  | SCALE<br>1:1                    | SIZE<br>A4      |  | SHEET<br>1      | OF<br>3              | DWG NO<br>YA-AXXX-AXXX-AXXX-XX | CHECKED BY<br>Neo Tsai  | DATE<br>2019-04-10 |
|                                |  | REV.<br>A                       | WC-REV.<br>A.27 |  | Inspection item |                      | CUSTOMER<br>ALTW               | APPROVED BY<br>Max Yang | DATE<br>2019-04-10 |

THIS DOCUMENT IS SUBJECT TO CHANGE WITHOUT NOTICE. IT IS CONFIDENTIAL AND A PROPERTY OF Amphenol LTW. DISCLOSURE TO THIRD PARTY HAS TO BE AUTHORIZED BY Amphenol LTW.

YA - AXXX - AXXX - AXXX - XX

-01: All connectors have the same number of pins.

C1 Connector Type

03: 3 pin  
04: 4 pin  
:  
12: 12 pin

C1 Gender

M: Male Connector, Male Pin  
F: Female Connector, Female Pin

C2 Connector Type

03: 3 pin  
04: 4 pin  
:  
12: 12 pin

C2 Gender

M: Male Connector, Male Pin  
F: Female Connector, Female Pin

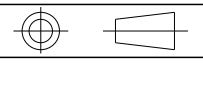
C3 Connector Type

03: 3 pin  
04: 4 pin  
:  
12: 12 pin

C3 Gender

M: Male Connector, Male Pin  
F: Female Connector, Female Pin

UNIT:mm  
TOLERANCE



|                                 |                 |                    |  |
|---------------------------------|-----------------|--------------------|--|
| TITLE<br>M12, A-Code, Y-Adaptor |                 |                    |  |
| SCALE<br>1:1                    | SIZE<br>A4      | SHEET<br>2 OF 3    |  |
| REV.<br>A                       | WC-REV.<br>A.27 | Ⓞ: Inspection item |  |

**Amphenol LTW**  
安費諾亮泰企業股份有限公司

|                                |                         |                    |
|--------------------------------|-------------------------|--------------------|
| ITEM NO                        | DRAWN BY<br>Bovan Lu    | DATE<br>2019-04-10 |
| DWG NO<br>YA-AXXX-AXXX-AXXX-XX | CHECKED BY<br>Neo Tsai  | DATE<br>2019-04-10 |
| CUSTOMER<br>ALTW               | APPROVED BY<br>Max Yang | DATE<br>2019-04-10 |

THIS DOCUMENT IS SUBJECT TO CHANGE WITHOUT NOTICE. IT IS CONFIDENTIAL AND A PROPERTY OF Amphenol LTW. DISCLOSURE TO THIRD PARTY HAS TO BE AUTHORIZED BY Amphenol LTW.

|   |        | A-code                                |   |   |  |  |  |   |
|---|--------|---------------------------------------|---|---|--|--|--|---|
|   |        | 3 Pin                                 | 4 Pin   | 5 Pin   | 6 Pin  | 8 Pin  | 10 Pin   | 12 Pin  |
| F | Male   |                                       |   |   |  |  |  |   |
|   | Female |                                       |   |   |  |  |  |   |
|   |        | Pin# Color                            | Pin# Color  | Pin# Color  | Pin# Color   | Pin# Color   | Pin# Color   | Pin# Color  |
| D |        | Pin1 Black<br>Pin3 White<br>Pin4 Blue | Pin1 Black<br>Pin2 White<br>Pin3 Blue<br>Pin4 Green | Pin1 Black<br>Pin2 White<br>Pin3 Blue<br>Pin4 Green<br>Pin5 Red | Pin1 Black<br>Pin2 White<br>Pin3 Blue<br>Pin4 Green<br>Pin6 Red<br>Pin7 Gray | Pin1 Black<br>Pin2 White<br>Pin3 Blue<br>Pin4 Green<br>Pin5 Red<br>Pin6 Gray<br>Pin7 Yellow<br>Pin8 Orange | Pin1 Black<br>Pin2 White<br>Pin3 Blue<br>Pin4 Green<br>Pin5 Red<br>Pin6 Gray<br>Pin7 Yellow<br>Pin8 Orange<br>Pin9 Brown<br>Pin10 Purple | Pin1 Black<br>Pin2 White<br>Pin3 Blue<br>Pin4 Green<br>Pin5 Red<br>Pin6 Gray<br>Pin7 Yellow<br>Pin8 Orange<br>Pin9 Brown<br>Pin10 Purple<br>Pin11 White/Red<br>Pin12 Pink |

Pin Assignments Front View



|   |           |   |                                 |                 |                 |                                |                         |                    |
|---|-----------|---|---------------------------------|-----------------|-----------------|--------------------------------|-------------------------|--------------------|
| A | UNIT:mm   |   | TITLE<br>M12, A-Code, Y-Adaptor |                 |                 | ITEM NO                        | DRAWN BY<br>Bovan Lu    | DATE<br>2019-04-10 |
|   | TOLERANCE | — | SCALE<br>1:1                    | SIZE<br>A4      | SHEET<br>3 OF 3 | DWG NO<br>YA-AXXX-AXXX-AXXX-XX | CHECKED BY<br>Neo Tsai  | DATE<br>2019-04-10 |
|   |           |   | REV.<br>A                       | WC-REV.<br>A.27 | Inspection item | CUSTOMER<br>ALTW               | APPROVED BY<br>Max Yang | DATE<br>2019-04-10 |