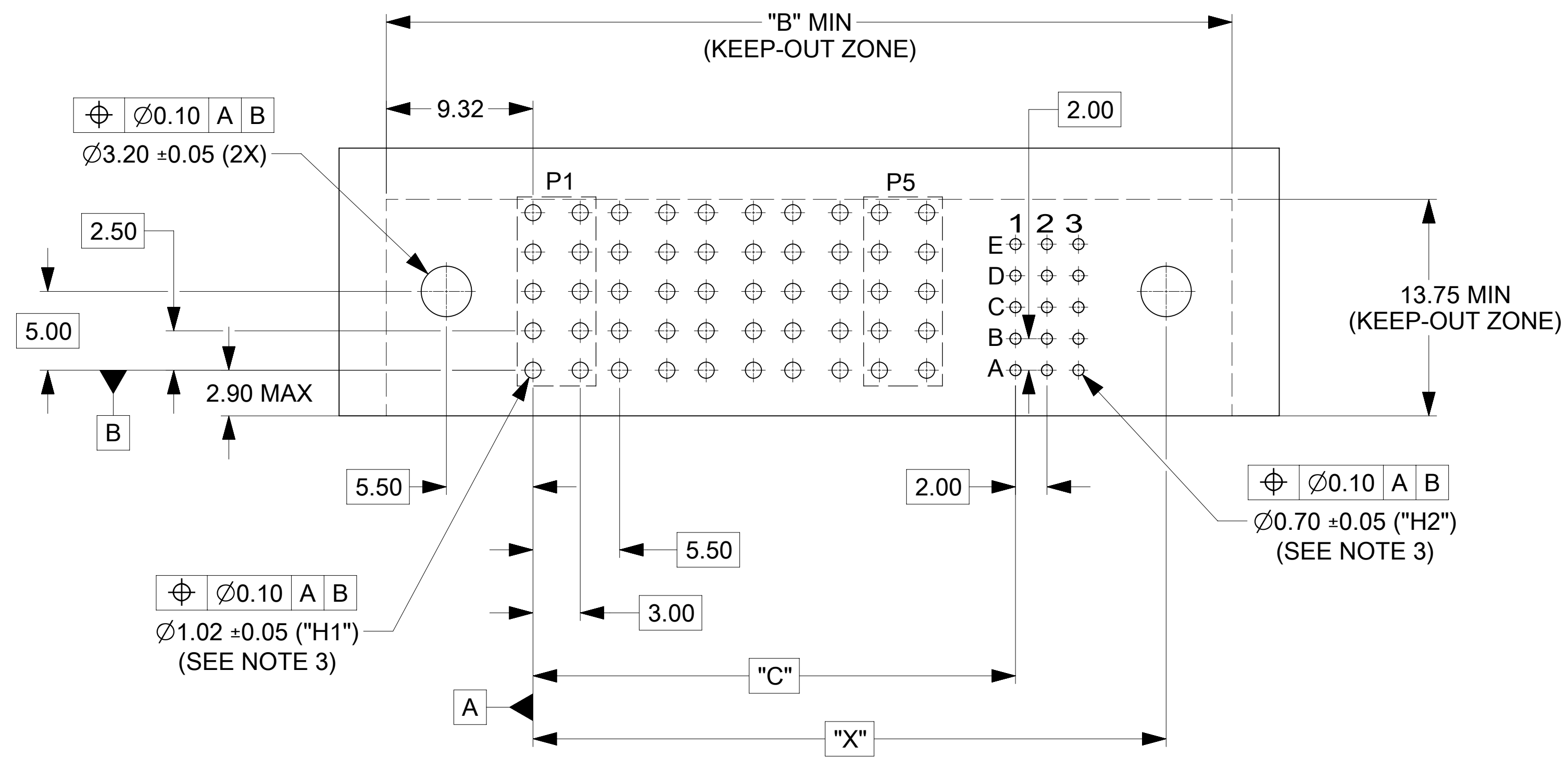


- NOTES:
- MATERIAL:
    - HOUSINGS: LCP UL94, V-0, COLOR : BLACK
    - TERMINALS: HIGH CONDUCTIVITY COPPER ALLOY
    - PLATING: 1.27 MICROMETER (50 MICROINCH) NICKEL OVERALL WITH 2.54 MICROMETER (100 MICROINCH) SELECTIVE TIN ON TAILS AND 0.762 MICROMETER (30 MICROINCH) SELECTIVE GOLD ON CONTACT AREA
  - PACKAGING: ASSEMBLIES TO BE TRAY PACKED PER PACKAGING SPEC: 464371001-PK
  - PLATED THRU HOLE SIZE, REFER TO PS-46436-100 FOR DETAILS
  - PRODUCT SPEC: PS-46436-100
  - PRODUCT TO MEET RoHS REQUIREMENTS
  - ASSEMBLY MATES TO MOLEX RECEPTACLE ASSEMBLY P/N 46562-\*\*\*\* AND 46436-\*\*\*\* (SEE TABLE IN SHEET 2).
  - TAIL DESIGN: COMPLIANT PINS
  - SIGNAL CONTACTS ARE LUBRICATED.
  - POWER CONTACTS ARE LUBRICATED.
  - APPLICATION SPEC: AS-46436-100.
  - MOLEX LOGO TO BE LOCATED APPROXIMATELY AS SHOWN.

THIS DRAWING CONTAINS INFORMATION THAT IS PROPRIETARY TO MOLEX ELECTRONIC TECHNOLOGIES, LLC AND SHOULD NOT BE USED WITHOUT WRITTEN PERMISSION											
DIMENSION UNITS		SCALE		CURRENT REV DESC: ADDED ISOMETRIC VIEWS							
mm		4:1									
GENERAL TOLERANCES (UNLESS SPECIFIED)											
ANGULAR TOL ± 0.5°											
4 PLACES ±		EC NO: 689821									
3 PLACES ±		DRWN: HARSHG		2021/12/13							
2 PLACES ± 0.13		CHK'D: GJEEVANSURES		2021/12/22							
1 PLACE ± 0.25		APPR: HTHYAGARAJ		2022/02/14							
0 PLACES ±		INITIAL REVISION:									
		DRWN: KSUTAR		2021/08/11							
		APPR: HTHYAGARAJ		2021/10/21							
DRAFT WHERE APPLICABLE MUST REMAIN WITHIN DIMENSIONS				THIRD ANGLE PROJECTION		DRAWING		SERIES		MATERIAL NUMBER	
				D-SIZE		46437		SEE TABLE		CUSTOMER	
						GENERAL MARKET				SHEET NUMBER	
										1 OF 4	

RECOMMENDED PCB LAYOUT AND KEEP-OUT ZONE FOR G-(1P TO 5P)-30S-G



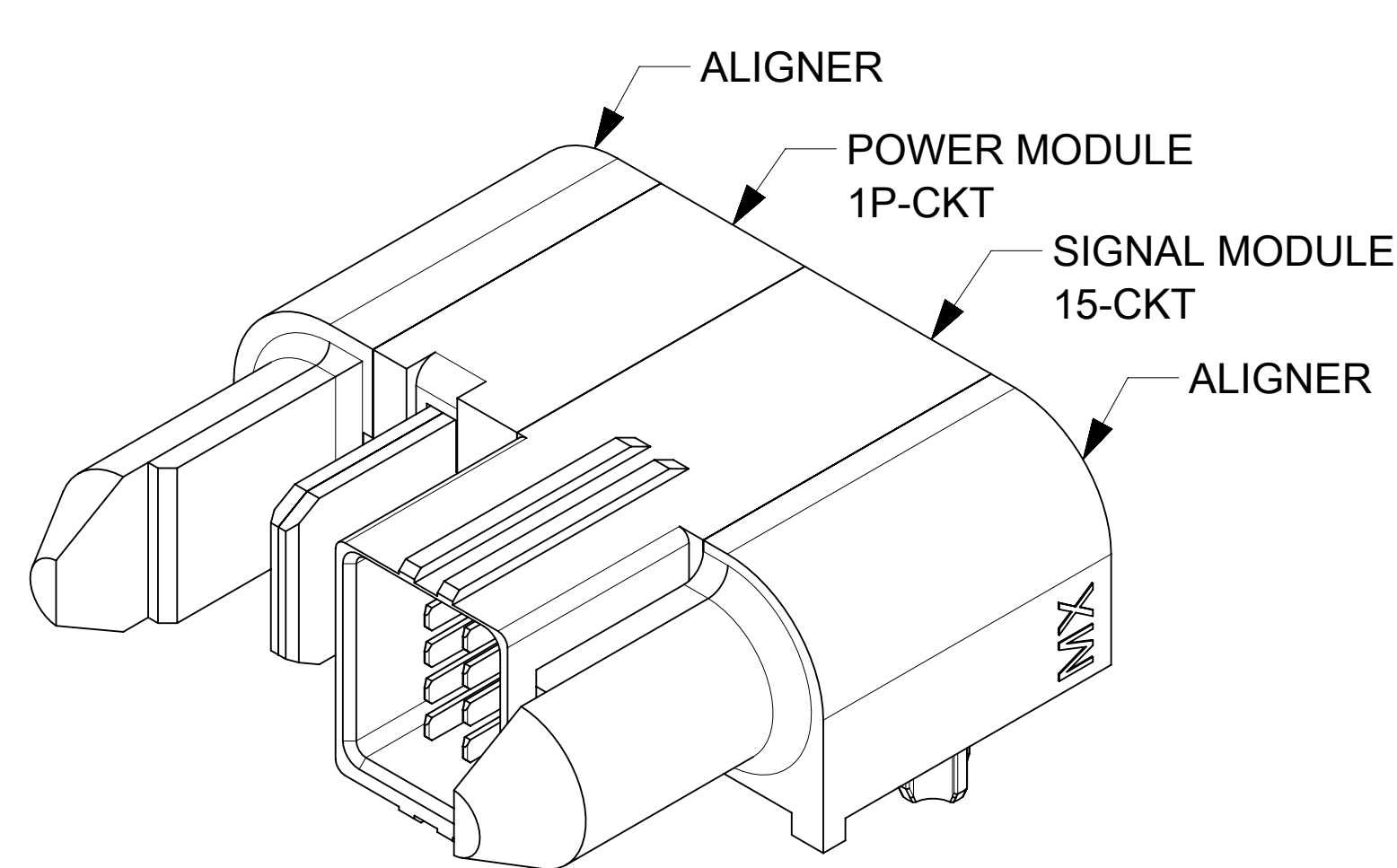
RECOMMENDED PCB LAYOUT AND KEEP-OUT ZONE FOR G-(1P TO 5P)-15S-G

REFER TO BELOW TABLE FOR DIMENSIONS.

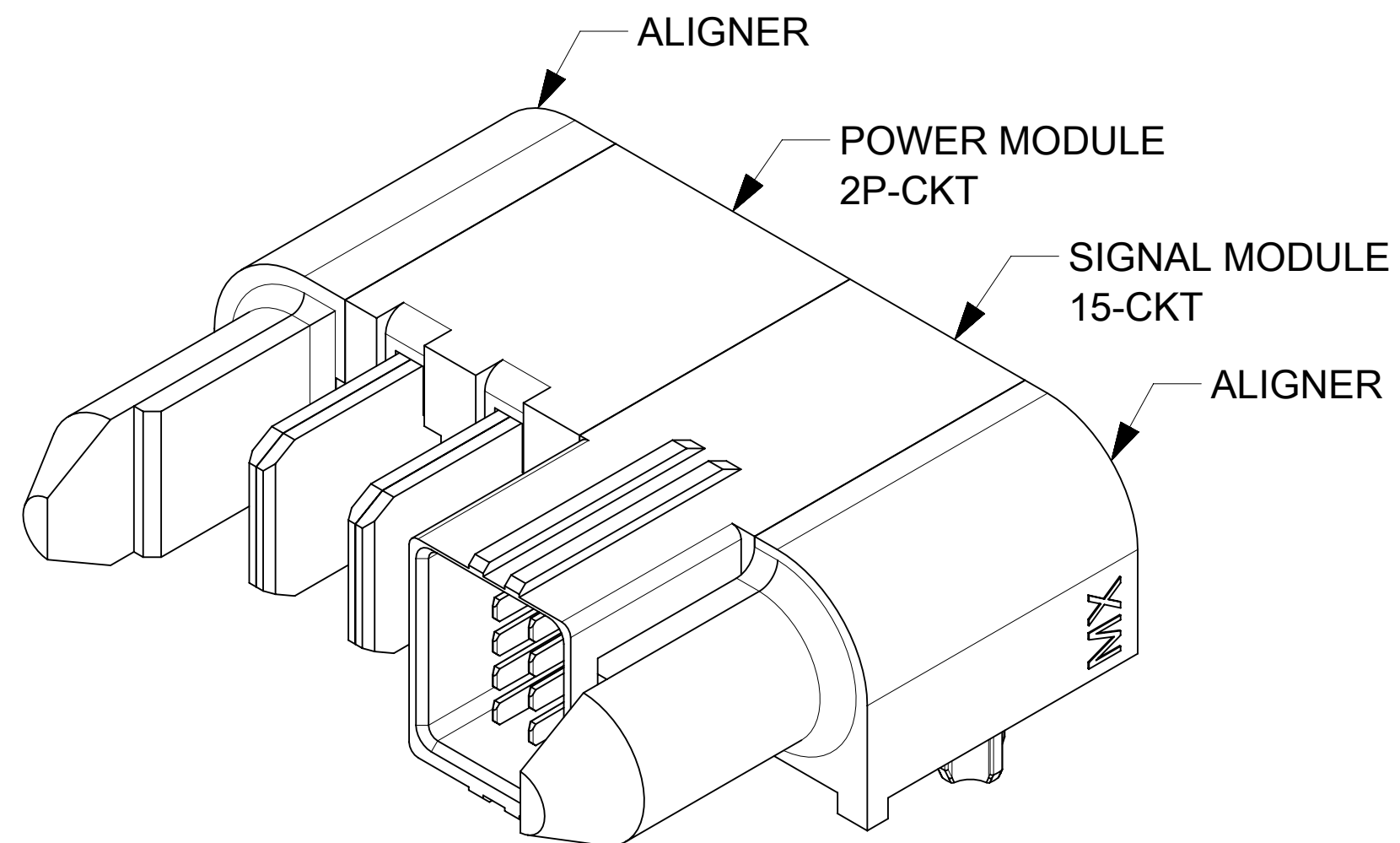
FG P/N	CONFIGURATION	POWER CKT SIZE	SIGNAL CKT SIZE	DIM "A" (IN MM)	DIM "B" (IN MM)	DIM "C" (IN MM)	DIM "X" (IN MM)	HOLES COUNT "H1"	HOLES COUNT "H2"	MATES WITH R/A ASSY P/N	MATES WITH VERT ASSY P/N
464379311	G-1P-15S-G	1	15	30.71	31.71	8.64	18.21	10	15	464369311	465629311
464379312	G-2P-15S-G	2	15	36.21	37.21	14.14	23.71	20	15	464369312	465629312
464379313	G-3P-15S-G	3	15	41.71	42.71	19.64	29.21	30	15	464369313	465629313
464379314	G-4P-15S-G	4	15	47.21	48.21	25.14	34.71	40	15	464369314	465629314
464379315	G-5P-15S-G	5	15	52.71	53.71	30.64	40.21	50	15	464369315	465629315
464379316	G-1P-30S-G	1	30	36.71	37.71	8.64	24.21	10	30	464369316	465629316
464379317	G-2P-30S-G	2	30	42.21	43.21	14.14	29.71	20	30	464369317	465629317
464379318	G-3P-30S-G	3	30	47.71	48.71	19.64	35.21	30	30	464369318	465629318
464379319	G-4P-30S-G	4	30	53.21	54.21	25.14	40.71	40	30	464369319	465629319
464379320	G-5P-30S-G	5	30	58.71	59.71	30.64	46.21	50	30	464369320	465629320

THIS DRAWING CONTAINS INFORMATION THAT IS PROPRIETARY TO MOLEX ELECTRONIC TECHNOLOGIES, LLC AND SHOULD NOT BE USED WITHOUT WRITTEN PERMISSION

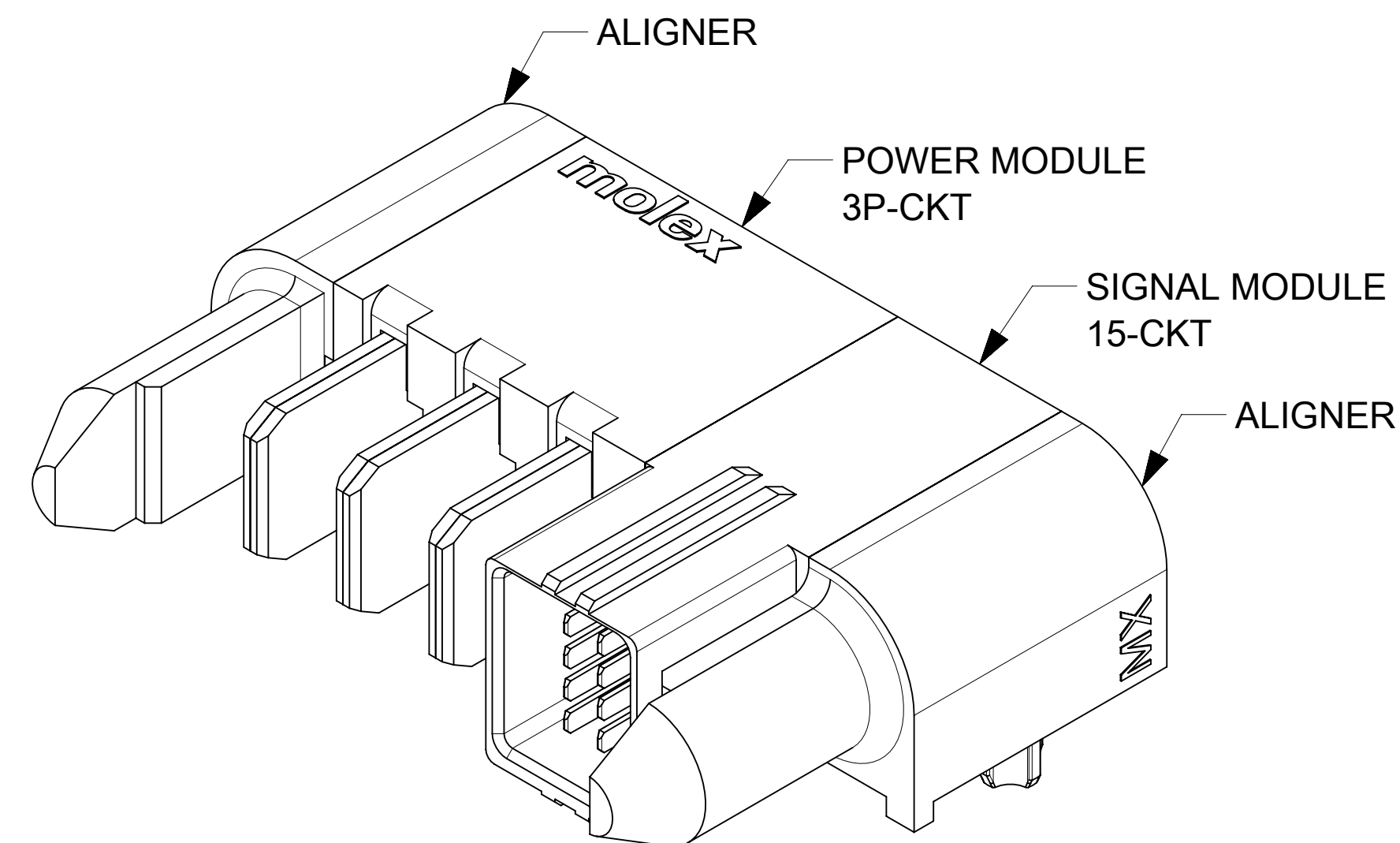
DIMENSION UNITS <b>mm</b>	SCALE <b>4:1</b>	CURRENT REV DESC: ADDED ISOMETRIC VIEWS					
GENERAL TOLERANCES (UNLESS SPECIFIED)		EC NO: 689821					
ANGULAR TOL ± 0.5°		4 PLACES ±		DRWN: HARSHG 2021/12/13		PRODUCT CUSTOMER DRAWING	
3 PLACES ±		2 PLACES ± 0.13		CHK'D: GJEEVANSURES 2021/12/22		DOCUMENT NUMBER	
1 PLACE ± 0.25		0 PLACES ±		APPR: HTHYAGARAJ 2022/02/14		DOC TYPE	
DRAFT WHERE APPLICABLE MUST REMAIN WITHIN DIMENSIONS		THIRD ANGLE PROJECTION		INITIAL REVISION: DRWN: KSUTAR 2021/08/11 APPR: HTHYAGARAJ 2021/10/21		DOC PART	
D-DRAWING		SERIES		MATERIAL NUMBER		REVISION	
D-SIZE		46437		CUSTOMER		SHEET NUMBER	
SEE TABLE		GENERAL MARKET		PSD		000 A1	
2 OF 4							



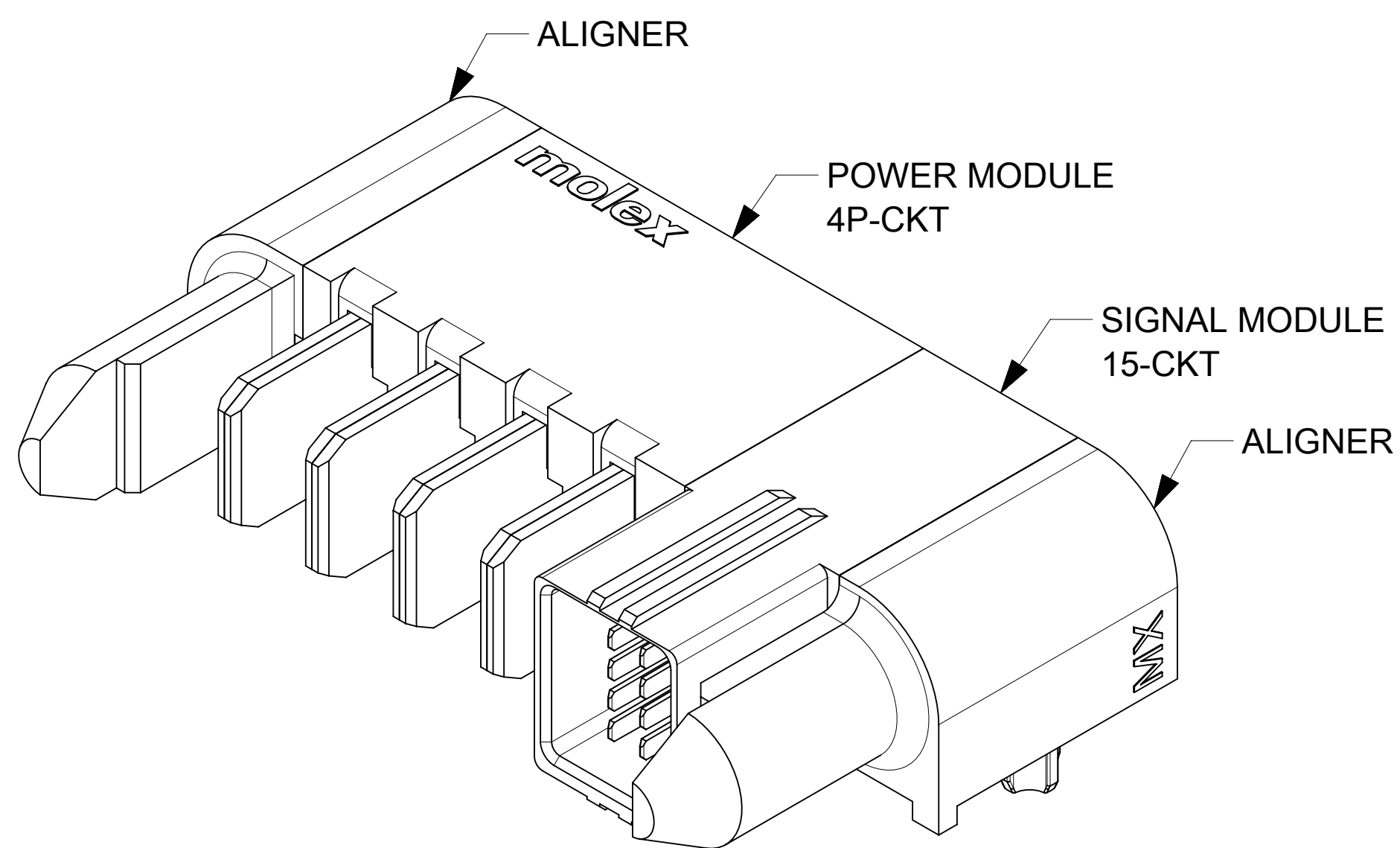
P/N : 46437-9311 (G-1P-15S-G)



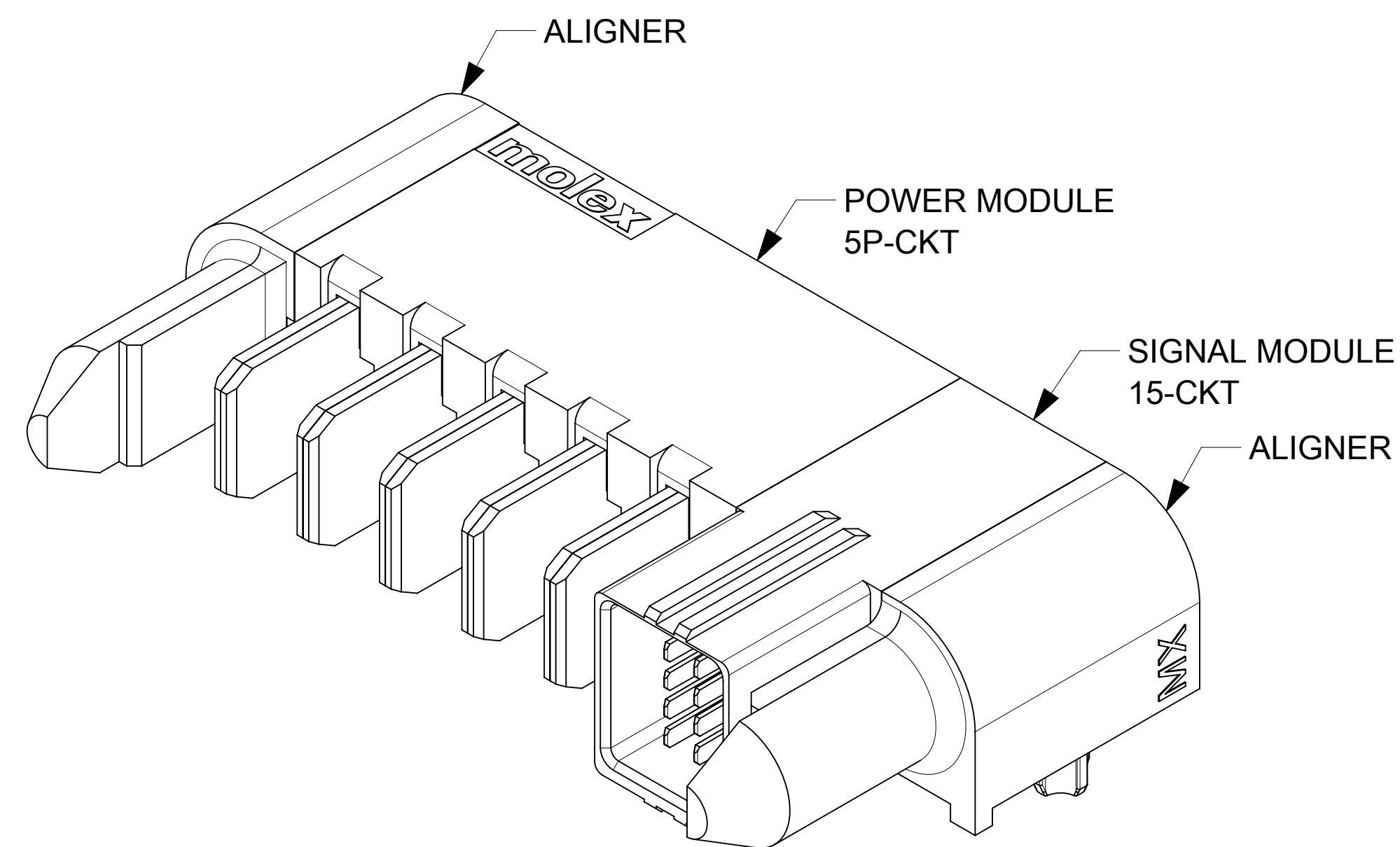
P/N : 46437-9312 (G-2P-15S-G)





P/N : 46437-9313 (G-3P-15S-G)

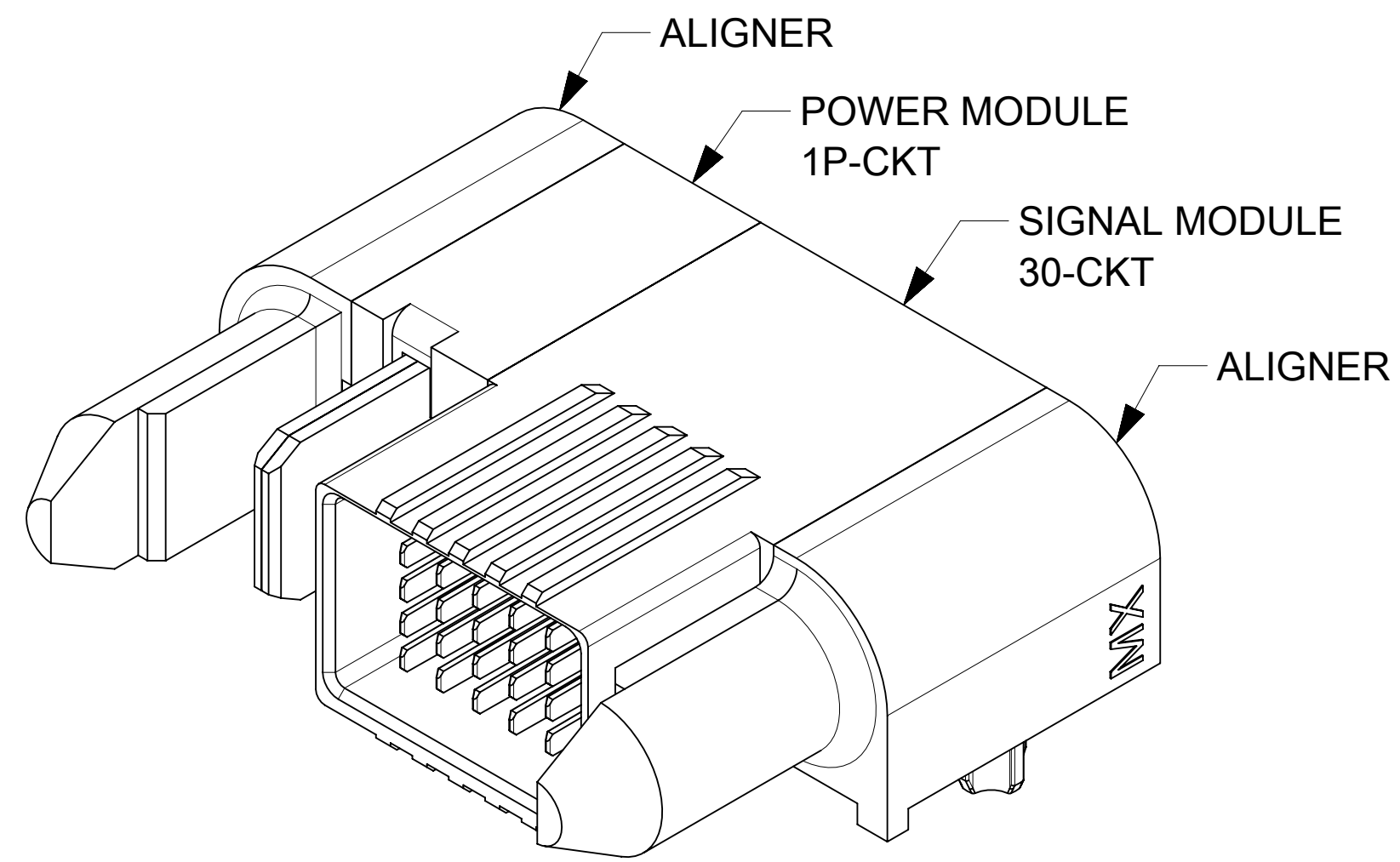


P/N : 46437-9314 (G-4P-15S-G)

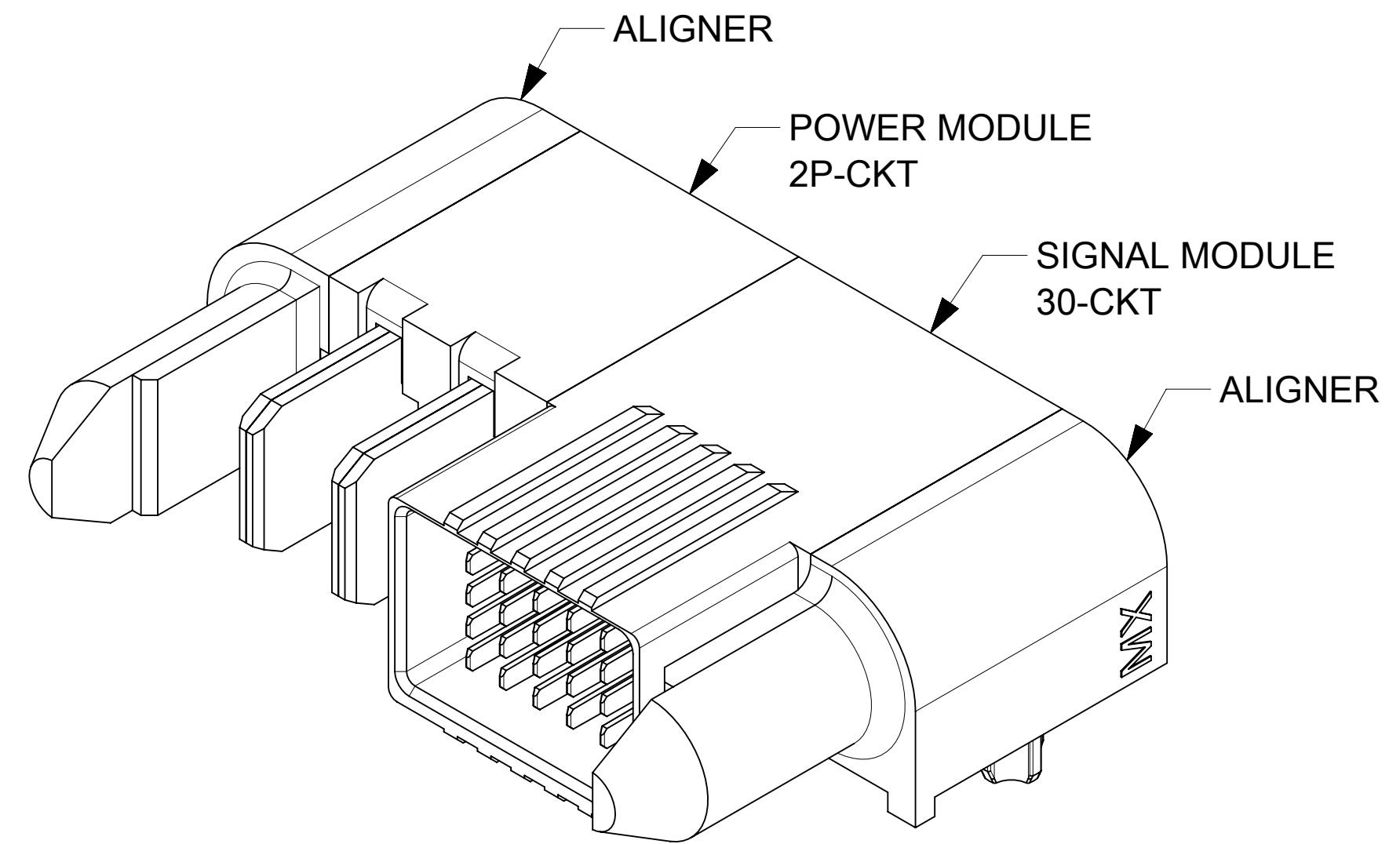


P/N : 46437-9315 (G-5P-15S-G)

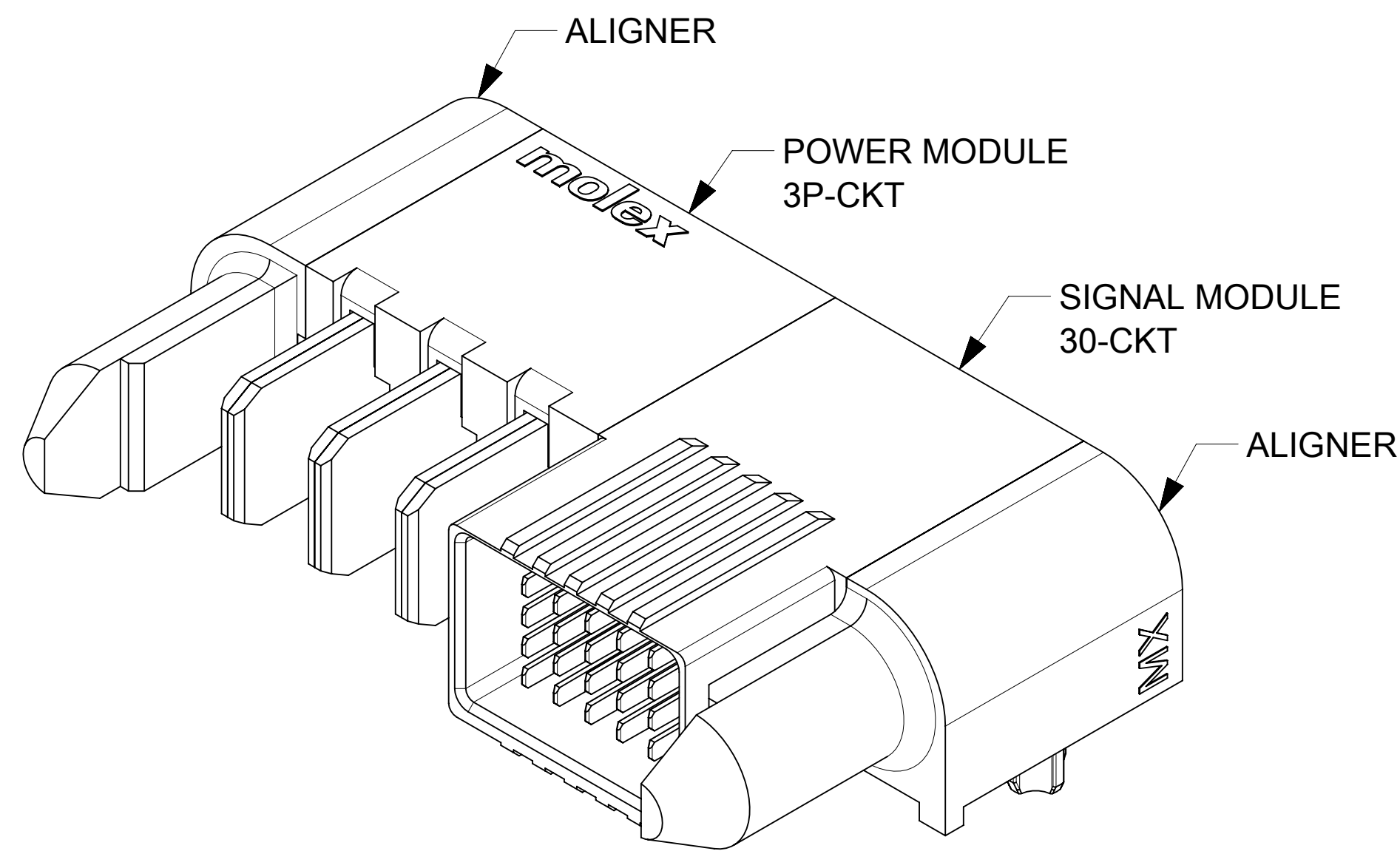
THIS DRAWING CONTAINS INFORMATION THAT IS PROPRIETARY TO MOLEX ELECTRONIC TECHNOLOGIES, LLC AND SHOULD NOT BE USED WITHOUT WRITTEN PERMISSION												
DIMENSION UNITS		SCALE		CURRENT REV DESC: ADDED ISOMETRIC VIEWS								
mm		4:1										
GENERAL TOLERANCES (UNLESS SPECIFIED)				EC NO: 689821		2021/12/13		<b>G-*P-*S-G</b> R/A PLUG ASSY - TEN60 POWER FAMILY				
ANGULAR TOL ± 0.5°				DRWN: HARSHG		2021/12/22						
4 PLACES ±				CHK'D: GJEEVANSURES		2022/02/14		PRODUCT CUSTOMER DRAWING				
3 PLACES ±				APPR: HTHYAGARAJ				DOCUMENT NUMBER		DOC TYPE	DOC PART	REVISION
2 PLACES ± 0.13				INITIAL REVISION:				464379320		PSD	000	A1
1 PLACE ± 0.25				DRWN: KSUTAR		2021/08/11		MATERIAL NUMBER		CUSTOMER		SHEET NUMBER
0 PLACES ±				APPR: HTHYAGARAJ		2021/10/21		46437		GENERAL MARKET		3 OF 4
DRAFT WHERE APPLICABLE MUST REMAIN WITHIN DIMENSIONS				THIRD ANGLE PROJECTION		DRAWING		SERIES		SEE TABLE		
						D-SIZE		46437				



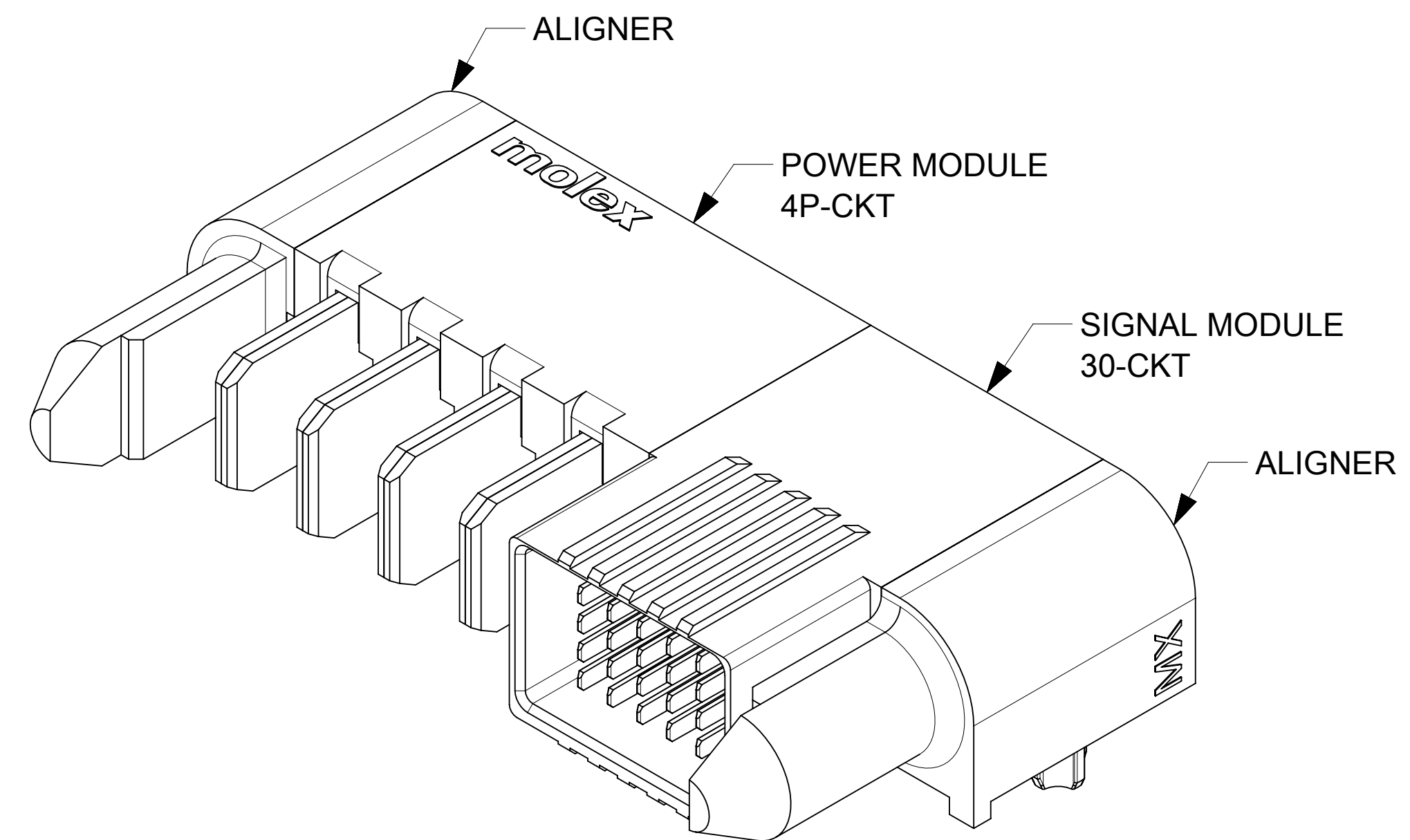
P/N : 46437-9316 (G-1P-30S-G)



P/N : 46437-9317 (G-2P-30S-G)



P/N : 46437-9318 (G-3P-30S-G)



P/N : 46437-9319 (G-4P-30S-G)

THIS DRAWING CONTAINS INFORMATION THAT IS PROPRIETARY TO MOLEX ELECTRONIC TECHNOLOGIES, LLC AND SHOULD NOT BE USED WITHOUT WRITTEN PERMISSION												
DIMENSION UNITS		SCALE		CURRENT REV DESC: ADDED ISOMETRIC VIEWS						<b>molex</b>		
mm		4:1										
GENERAL TOLERANCES (UNLESS SPECIFIED)				EC NO: 689821		2021/12/13		G-*P-*S-G R/A PLUG ASSY - TEN60 POWER FAMILY				
ANGULAR TOL ± 0.5°				DRWN: HARSHG		2021/12/22						
4 PLACES ±				CHK'D: GJEEVANSURES		2022/02/14		PRODUCT CUSTOMER DRAWING				
3 PLACES ±				APPR: HTHYAGARAJ				DOCUMENT NUMBER				
2 PLACES ± 0.13				INITIAL REVISION:				464379320		DOC TYPE	DOC PART	REVISION
1 PLACE ± 0.25				DRWN: KSUTAR		2021/08/11		PSD		000	A1	
0 PLACES ±				APPR: HTHYAGARAJ		2021/10/21		MATERIAL NUMBER		CUSTOMER		
DRAFT WHERE APPLICABLE MUST REMAIN WITHIN DIMENSIONS				THIRD ANGLE PROJECTION		DRAWING		SERIES		SHEET NUMBER		
				D-SIZE		46437		SEE TABLE		GENERAL MARKET		
DOCUMENT STATUS		P1		RELEASE DATE		2022/02/14 09:02:04						