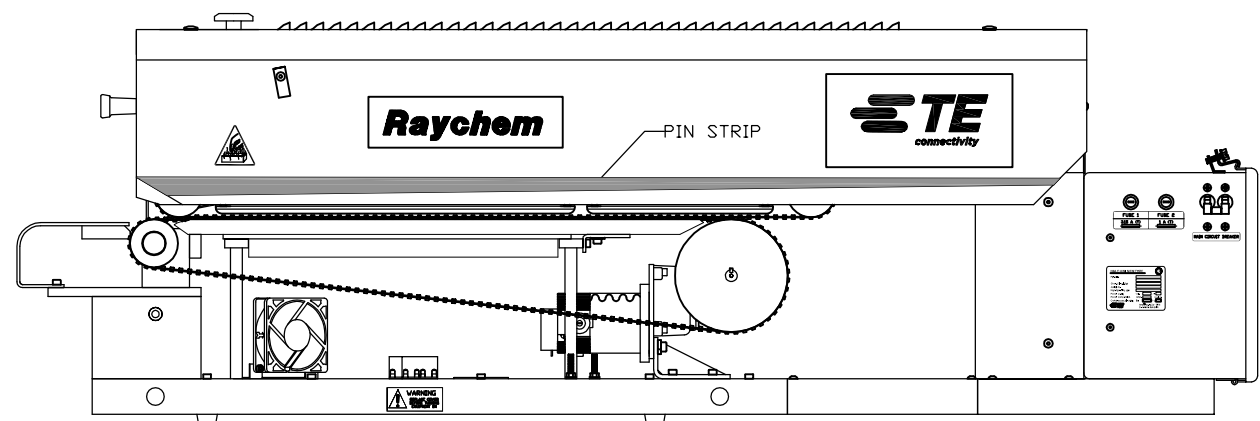
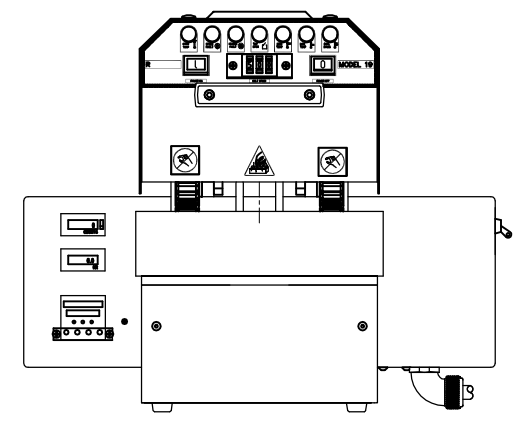
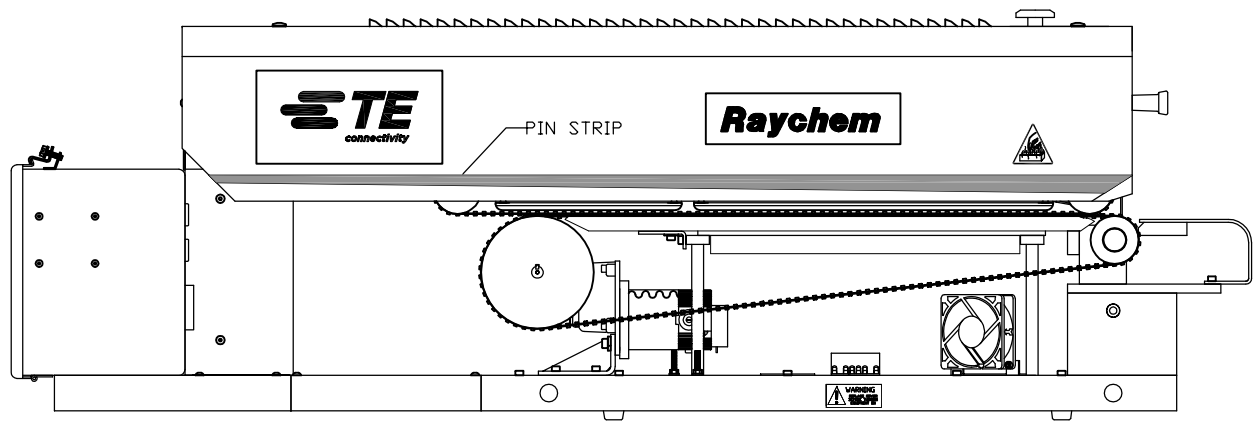


THIS DRAWING IS UNPUBLISHED.		RELEASED FOR PUBLICATION	
© COPYRIGHT BY TYCO ELECTRONICS CORPORATION. ALL INTERNATIONAL RIGHTS RESERVED.			
PART NUMBER	REV	FIRST USED	
6-1195592-4	B		-

REVISIONS				
P	LTR	DESCRIPTION	DATE	APVD
B		ECR-15-014656	11JAN2016	MY RK



NOTE:

1. REF DRAWING 14-81262-1 FOR SPARE PARTS.

THIS DRAWING IS A CONTROLLED DOCUMENT.		DWN M. YOUNGER	06FEB2014	
		CHK R. KEENEY	26FEB2014	
DIMENSIONS: mm		APVD R. KEENEY		NAME
TOLERANCES UNLESS OTHERWISE SPECIFIED:		26FEB2014		MODEL 19 BELT HEATER
0 PLC ± -				HEAT-SHRINKABLE TUBING CONVEYOR HEATER
1 PLC ± -				STANDARD VERSION
2 PLC ± -				208-240 VOLTS
3 PLC ± -				
4 PLC ± -				
ANGLES ± -				
MATERIAL		WEIGHT		RESTRICTED TO
FINISH		86 kg		SIZE
		A2		CAGE CODE
		00779		DRAWING NO
		C=6-1195592-4		1 OF 1
		CUSTOMER DRAWING		REV B
		SCALE		
		SHEET		